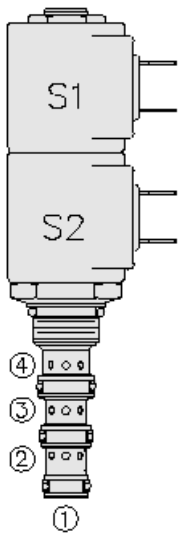




Overview



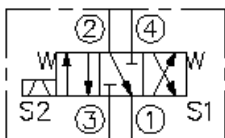
Description

A solenoid operated, 4-way, 3-position, direct-acting, spool-type, motor spool, screw-in hydraulic cartridge valve. When de-energized, the SV08-47EX blocks flow at port 3 and port 4 while allowing flow from port 2 to port 1. When coil 1 is energized, flow is allowed from port 3 to port 4, and from port 2 to port 1. When coil 2 is energized, flow is allowed from port 3 to port 2, and from port 4 to port 1.

Features

- Continuous-duty rated solenoid.
- Hardened precision spool and cage for long life.
- Optional coil voltages and terminations.
- Optional waterproof E&E Coils rated up to IP69K.
- Efficient wet-armature construction.
- All ports may be fully pressurized.
- Cartridges are voltage interchangeable.
- Unitized, molded coil design.
- Industry-common cavity
- Compact size.

Symbol



Ratings

Pressure Ratings

Pressure rating	240 bar (3500 psi)
Proof pressure	344 bar (5000 psi)
Burst pressure	779 bar (11300 psi)

Flow Ratings

Flow rating	See "performance range"
Maximum internal leakage	164 ml/min (10 in ³ /min) - Note: At 207 bar (3000 psi)

Temperature Ratings

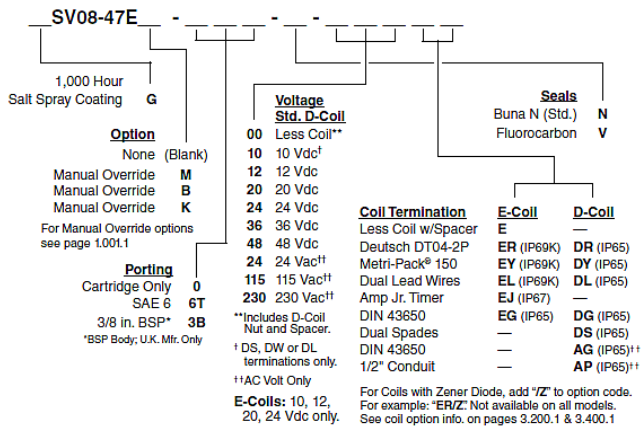
Operating fluid temperature	-40 to 100 °C (-40 to 212 °F)	- Note: With buna N seals
	-26 to 204 °C (-15 to 400 °F)	- Note: With fluorocarbon seals
	-54 to 107 °C (-65 to 225 °F)	- Note: With polyurethane seals
Storage temperature	-40 to 70 °C (-40 to 160 °F)	
Ambient temperature	-40 to 70 °C (-40 to 160 °F)	

Operating Parameters

Fluids	Mineral based or synthetic hydraulic fluid with lubricating properties
Fluid viscosity range	7.4 to 420 cSt
Maximum operating contamination level	20/18/14 per ISO 4406

Properties

Unit weight	0.157 kg (0.346 lb)
Internal wetted surface area	160 cm ² (24.8 in ²)



POSITION	CODE	DESCRIPTION
		SV08-47EE-H-J-L
E		Manual Override
E	BLANK	NONE
H		Line Body
H	0	No Body
H	6T	Aluminum SAE 6
H	6TD	Ductile Iron SAE 6
H	3B	Aluminum BSPP 3/8" (3)
H	3BD	Ductile Iron BSPP 3/8" (3)
J		Seal
J	N	Buna-N
J	V	Fluorocarbon
J	P	Polyurethane
J	U	PPDI Urethane
L		Coil
L	0	No Coil, D-Coil Spacer
L	0E	No Coil, E-Coil Spacer
L	10DL	10 VDC, D-Coil, Dual Lead Wires
L	10DR/D	10 VDC, D-Coil, Deutsch with Diode
L	10DS	10 VDC, D-Coil, Dual Spade
L	10EL	10 VDC, E-Coil, Dual Lead Wires, 18 inches long
L	10EL/36	10 VDC, E-Coil, Dual Lead Wires, 36 inches long
L	10ER	10 VDC, E-Coil, Deutsch
L	10ER/Z	10 VDC, E-Coil, Deutsch with Zener Diode
L	12DG	12 VDC, D-Coil, DIN 43650
L	12DL	12 VDC, D-Coil, Dual Lead Wires, 18 inches long
L	12DL/36	12 VDC, D-Coil, Dual Lead Wires, 36 inches long
L	12DL/W	12 VDC, D-Coil, Dual Lead Wires with Weatherpak
L	12DL/W/D	12 VDC, D-Coil, Dual Lead Wires with Weatherpak with Diode
L	12DR	12 VDC, D-Coil, Deutsch
L	12DR/D	12 VDC, D-Coil, Deutsch with Diode
L	12DR/Z	12 VDC, D-Coil, Deutsch with Zener Diode
L	12DS	12 VDC, D-Coil, Dual Spade
L	12EG	12 VDC, E-Coil, DIN 43650



POSITION	CODE	DESCRIPTION
L	12EG/Z	12 VDC, E-Coil, DIN 43650 with Zener Diode
L	12EJ	12 VDC, E-Coil, AMP Jr.
L	12EJ/Z	12 VDC, E-Coil, AMP Jr. with Zener Diode
L	12EL	12 VDC, E-Coil, Dual Lead Wires, 18 inches long
L	12EL/36	12 VDC, E-Coil, Dual Lead Wires, 36 inches long
L	12EL/Z	12 VDC, E-Coil, Dual Lead Wires with Zener Diode
L	12ER	12 VDC, E-Coil, Deutsch
L	12ER/Z	12 VDC, E-Coil, Deutsch with Zener Diode
L	12EY	12 VDC, E-Coil, Metri-Pack 150
L	12EY/Z	12 VDC, E-Coil, Metri-Pack 150 with Zener Diode
L	20DG	20 VDC, D-Coil, DIN 43650
L	20DS	20 VDC, D-Coil, Dual Spade
L	20ER	20 VDC, E-Coil, Deutsch
L	20ER/Z	20 VDC, E-Coil, Deutsch with Zener Diode
L	24AG	24 VDC, D-Coil, DIN 43650
L	24AP	24 VDC, D-Coil, 1/2" Conduit and Dual Lead Wires
L	24DG	24 VDC, D-Coil, DIN 43650
L	24DL	24 VDC, D-Coil, Dual Lead Wires, 18 inches long
L	24DL/36	24 VDC, D-Coil, Dual Lead Wires, 36 inches long
L	24DL/W	24 VDC, D-Coil, Dual Lead Wires with Weatherpak
L	24DR	24 VDC, D-Coil, Deutsch
L	24DR/D	24 VDC, D-Coil, Deutsch with Diode
L	24DR/Z	24 VDC, D-Coil, Deutsch with Zener Diode
L	24DS	24 VDC, D-Coil, Dual Spade
L	24EG	24 VDC, E-Coil, DIN 43650
L	24EG/Z	24 VDC, E-Coil, DIN 43650 with Zener Diode
L	24EJ	24 VDC, E-Coil, AMP Jr.
L	24EL/D	24 VDC, E-Coil, Dual Lead Wires with Diode
L	24ER	24 VDC, E-Coil, Deutsch
L	24ER/Z	24 VDC, E-Coil, Deutsch with Zener Diode
L	24EY	24 VDC, E-Coil, Metri-Pack 150
L	24EY/Z	24 VDC, E-Coil, Metri-Pack 150 with Zener Diode
L	36DG	36 VDC, D-Coil, DIN 43650
L	36DS	36 VDC, D-Coil, Dual Spade
L	115AG	115 VAC, D-Coil, DIN 43650
L	115AP	115 VAC, D-Coil, 1/2" Conduit and Dual Lead Wires
L	230AG	230 VAC, D-Coil, DIN 43650
L	230AP	230 VAC, D-Coil, 1/2" Conduit and Dual Lead Wires