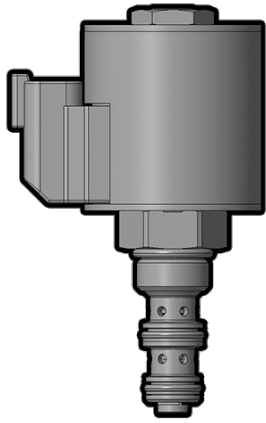




## Overview



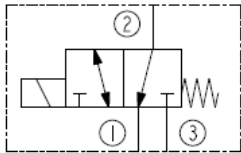
### Description

A solenoid-operated, 3 way, direct-acting, spool-type, screw in hydraulic directional valve for high pressure circuits.

### Operation

When de-energized, the SV38-30X allows flow from port 2 to port 1, while blocking flow at port 3. When energized, the cartridges spool shifts to open from port 3 to port 2, while blocking flow out port 1. While port 1 may be fully pressurized, it is not intended to be used as the inlet.

### Symbol



## Ratings

### Pressure Ratings

Pressure rating	207 bar (3000 psi)
Proof pressure	276 bar (4000 psi)
Burst pressure	621 bar (9000 psi)

### Flow Ratings

Flow rating	15.1 lpm (4 gpm)	- Note: Inlet at ports 3 and 1
Maximum internal leakage	162 ml/min (10 in <sup>3</sup> /min) at 207 bar (3000 psi)	- Note: From port 3 (de-energized) to port 1 with port 2 blocked

### Temperature Ratings

Operating fluid temperature	-40 to 100 °C (-40 to 212 °F)	- Note: With Buna N seals
	-26 to 204 °C (-15 to 400 °F)	- Note: With fluorocarbon seals
	-54 to 107 °C (-65 to 225 °F)	- Note: With polyurethane seals
Storage temperature	-40 to 70 °C (-40 to 160 °F)	
Ambient temperature	-40 to 70 °C (-40 to 160 °F)	

## Operating Parameters

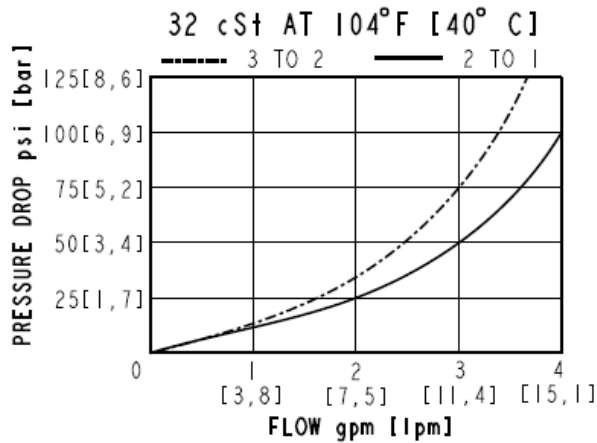
Fluids	Mineral based or synthetic hydraulic fluid with lubricating properties
Fluid viscosity range	7.4 to 420 cSt
Maximum operating contamination level	18/16/13 per ISO 4406

## Properties

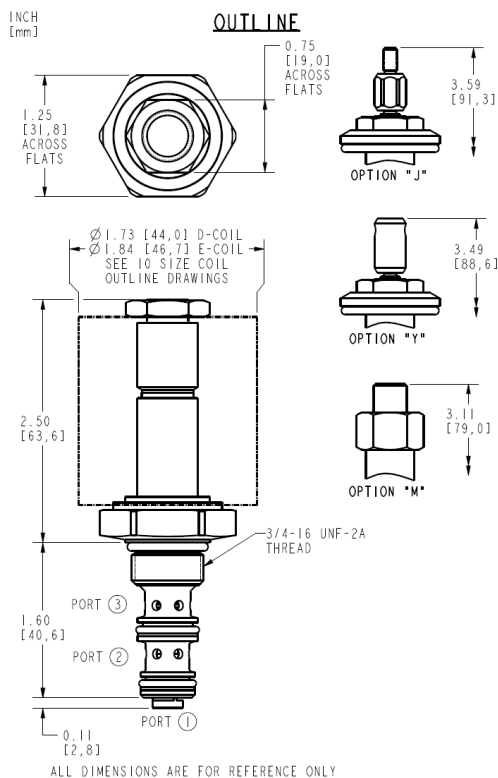
Unit weight	0.186 kg (0.41 lb)	- Note: SV38-30
	0.100 kg (0.44 lb)	- Note: SV38-30M
	0.227 kg (0.50 lb)	- Note: SV38-30J/Y
Internal wetted surface area	110 cm <sup>2</sup> (17 in <sup>2</sup> )	- Note: SV38-30
	96.8 cm <sup>2</sup> (15 in <sup>2</sup> )	- Note: SV38-30M
	129 cm <sup>2</sup> (20 in <sup>2</sup> )	- Note: SV38-30J/Y



## Performance



## Dimensions



## Installation Specifications

Cavity	VC08-3
Cartridge installation torque	25.8 to 28.5 N-m (19 to 21 ft-lb)
Coil nut torque	5.4 to 6.8 N-m (4 to 5 ft-lb)
Orientation restriction	None

## Accessories

Seal kit	SK38-3X-MM	- <b>Note:</b> X = seal option
Housings		
Coils		

## Order Code



### ORDERING INFORMATION

SV38-30X-X-X-XXXX

BASE MODEL NUMBER

VERRIDE OPTIONS:

NONE - BLANK

MANUAL OVERRIDE - J, M OR Y

PORTING:

CARTRIDGE ONLY - 0

SEAL OPTIONS:

BUNA N - N

FLUOROCARBON - V

POLYURETHANE - P

COIL VOLTAGE:

LESS COIL - 00

12 VDC COIL - 12

24 VDC COIL - 24

COIL TERMINATIONS:

E-COIL OPTIONS:

METRI-PACK CONNECTOR - EY

DEUTSCH CONNECTOR - ER

D-COIL OPTIONS:

(2) LEADWIRES 18"

STANDARD LENGTH - DL

DUAL SPADES SAE J858a - DS

DIN 43650 - DG

POSITION	CODE	DESCRIPTION
		SV38-30E-H-J-L
E		Manual Override
E	BLANK	NONE
E	J	Momentary Pull Override, #10-32 threads
E	M	Two Position Override, Red Knurled Knob
E	Y	Momentary Pull Override, Red Knurled Knob
H		Line Body
H	0	No Body
H	4T	Aluminum SAE 4
H	6T	Aluminum SAE 6
H	6TD	Ductile Iron SAE 6
H	8TD	Ductile Iron SAE 8
H	3B	Aluminum BSPP 3/8" (3)
H	3BD	Ductile Iron BSPP 3/8" (3)
J		Seal
J	N	Buna-N
J	V	Fluorocarbon
J	P	Polyurethane
J	U	PPDI Urethane
L		Coil
L	0	No Coil
L	10DG	10 VDC, D-Coil, DIN 43650
L	10DL	10 VDC, D-Coil, Dual Lead Wires
L	10DR/D	10 VDC, D-Coil, Deutsch with Diode
L	10DS	10 VDC, D-Coil, Dual Spade



POSITION	CODE	DESCRIPTION
L	10EL	10 VDC, E-Coil, Dual Lead Wires
L	10ER	10 VDC, E-Coil, Deutsch
L	10ER/Z	10 VDC, E-Coil, Deutsch with Zener Diode
L	12DG	12 VDC, D-Coil, DIN 43650
L	12DL	12 VDC, D-Coil, Dual Lead Wires, 18 inches long
L	12DL/36	12 VDC, D-Coil, Dual Lead Wires, 36 inches long
L	12DL/W	12 VDC, D-Coil, Dual Lead Wires with Weatherpak
L	12DL/W/D	12 VDC, D-Coil, Dual Lead Wires with Weatherpak with Diode
L	12DR	12 VDC, D-Coil, Deutsch
L	12DR/D	12 VDC, D-Coil, Deutsch with Diode
L	12DR/Z	12 VDC, D-Coil, Deutsch with Zener Diode
L	12DS	12 VDC, D-Coil, Dual Spade
L	12EG	12 VDC, E-Coil, DIN 43650
L	12EJ	12 VDC, E-Coil, AMP Jr.
L	12EL	12 VDC, E-Coil, Dual Lead Wires, 18 inches long
L	12EL/36	12 VDC, E-Coil, Dual Lead Wires, 36 inches long
L	12EL/W/Z	12 VDC, E-Coil, Dual Lead Wires with WeatherPak and Zener Diode
L	12EL/Z	12 VDC, E-Coil, Dual Lead Wires with Zener Diode
L	12ER	12 VDC, E-Coil, Deutsch
L	12ER/Z	12 VDC, E-Coil, Deutsch with Zener Diode
L	12EY	12 VDC, E-Coil, Metri-Pack 150
L	12EY/Z	12 VDC, E-Coil, Metri-Pack 150 with Zener Diode
L	20DR/D	20 VDC, D-Coil, Deutsch with Diode
L	20DS	20 VDC, D-Coil, Dual Spade
L	20ER	20 VDC, E-Coil, Deutsch
L	24AG	24 VDC, D-Coil, DIN 43650
L	24AP	24 VDC, D-Coil, 1/2" Conduit and Dual Lead Wires
L	24DG	24 VDC, D-Coil, DIN 43650
L	24DL	24 VDC, D-Coil, Dual Lead Wires
L	24DL/W	24 VDC, D-Coil, Dual Lead Wires with Weatherpak
L	24DL/W/D	24 VDC, D-Coil, Dual Lead Wires with Weatherpak with Diode
L	24DP	24 VDC, D-Coil, 1/2" Conduit and Dual Lead Wires
L	24DR	24 VDC, D-Coil, Deutsch
L	24DR/D	24 VDC, D-Coil, Deutsch with Diode
L	24DS	24 VDC, D-Coil, Dual Spade
L	24EG	24 VDC, E-Coil, DIN 43650
L	24EJ	24 VDC, E-Coil, AMP Jr.
L	24EL	24 VDC, E-Coil, Dual Lead Wires, 18 inches long
L	24EL/36	24 VDC, E-Coil, Dual Lead Wires, 36 inches long
L	24EL/W/Z	24 VDC, E-Coil, Dual Lead Wires with WeatherPak and Zener Diode
L	24ER	24 VDC, E-Coil, Deutsch
L	24ER/Z	24 VDC, E-Coil, Deutsch with Zener Diode
L	24EY	24 VDC, E-Coil, Metri-Pack 150



POSITION	CODE	DESCRIPTION
L	24EY/Z	24 VDC, E-Coil, Metri-Pack 150 with Zener Diode
L	36DS	36 VDC, D-Coil, Dual Spade
L	115AG	115 VAC, D-Coil, DIN 43650
L	115AP	115 VAC, D-Coil, 1/2" Conduit and Dual Lead Wires
L	230AG	230 VAC, D-Coil, DIN 43650
L	230AP	230 VAC, D-Coil, 1/2" Conduit and Dual Lead Wires