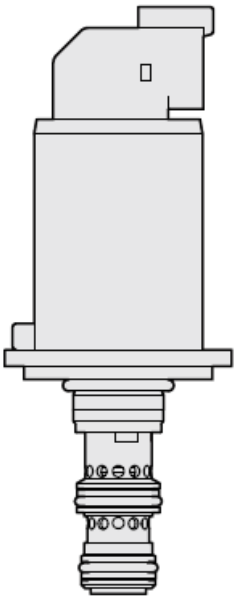




Overview



Description

The SVPR98-G38X is a direct-acting, spool-type, fixed regulated pressure setting, pressure reducing relieving valve. It is a 3rd generation hydraforce drop-in, flange mounted cartridge type valve for use with mineral based or synthetic (with lubricating properties) hydraulic fluids.

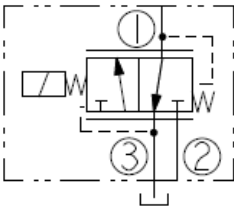
Operation

The coil is an integral part of the valve and is not serviceable the valve blocks flow from port 1 to port 2 and allows flow from port 1 to port 3 when de-energized. When energized, the valve controls the pressure at port 1 to a fixed pressure setting. Inlet at port 2. Tank at port 3.

Features

- Combines the functions of 3-way solenoid valve and pressure reducing/relieving valve into one space-saving cartridge
- Allows pressure regulation to be switched on/off
- Possible applications include brake function, 2-speed motor, differential lock, and more
- Four fixed pressure settings available (consult factory for other settings)
- G3 Drop-in style valve with integrated coil
- Coil options include two voltages and three connectors, with or without bidirectional Zener diode
- Flows up to 19 lpm (5 gpm)

Symbol



Ratings

Pressure Ratings

Pressure rating	45 bar (650 psi)	- Note: At port 1
	210 bar (3045 psi)	- Note: At port 2
	34.5 bar (500 psi)	- Note: At port 3
Proof pressure	207 bar (3000 psi)	- Note: At port 1
	241 bar (3500 psi)	- Note: At port 2
	53.8 bar (780 psi)	- Note: At port 3
Burst pressure	250 bar (3625 psi)	- Note: All ports pressurized
Control pressure setting	40 bar (580 psi)	- Note: SVPR98-G38X-0-X-XXXXX/X-M40
	34 bar (493 psi)	- Note: SVPR98-G38X-0-X-XXXXX/X-M34
	29 bar (421 psi)	- Note: SVPR98-G38X-0-X-XXXXX/X-M29
	21 bar (304 psi)	- Note: SVPR98-G38X-0-X-XXXXX/X-M21

Flow Ratings

Flow rating	18.9 lpm (5 gpm)	
Maximum internal leakage	200 ml/min (12.2 in ³ /min)	- Note: De-energized at 210 bar (3045 psi) inlet pressure

Other Ratings

Cycle life	10 million cycles
Environmental rating	IP69K. 960 hour salt spray per ASTM B117

Temperature Ratings

Operating fluid temperature	-40 to 149 °C (-40 to 300 °F)	- Note: With HNBR seals
	-26 to 204 °C (-15 to 400 °F)	- Note: With fluorocarbon seals
Storage temperature	-40 to 70 °C (-40 to 158 °F)	
Ambient temperature	-40 to 75 °C (-40 to 167 °F)	



Operating Parameters

Fluids	Mineral based or synthetic hydraulic fluid with lubricating properties.
Fluid viscosity range	7.4 to 420 cSt

Properties

Unit weight	0.27 kg (0.60 lb)
Internal wetted surface area	148 cm ² (23.0 in ²)

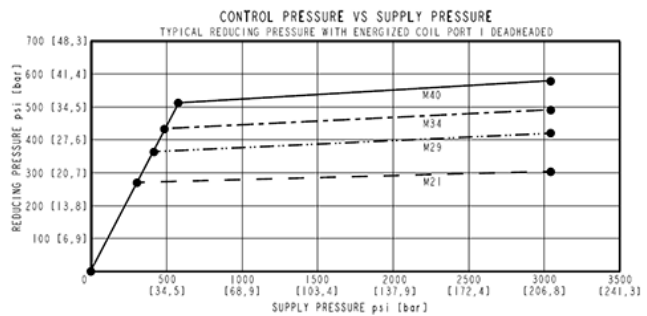
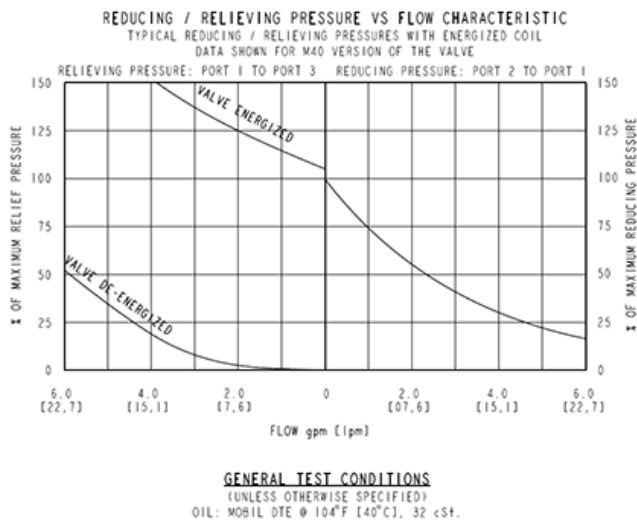
Installation Specifications

Installation type	Flange mounted
Orientation restriction	None
Cavity	VC-G028
Mounting screw torque	3 to 4 N-m (2.2 to 3.0 ft-lb)

Electrical Parameters

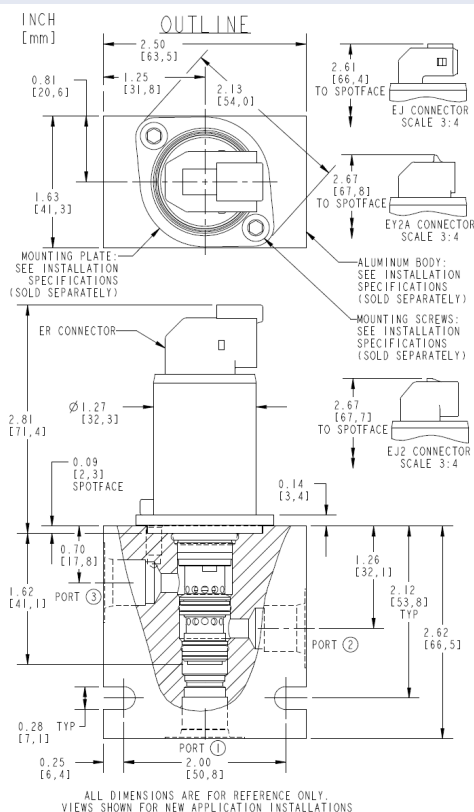
Pull in voltage	10.2 V	- Note: Minimum, S12 coil
	13.8 V	- Note: Maximum, S12 coil
	20.4 V	- Note: Minimum, S24 coil
	27.6 V	- Note: Maximum, S24 coil
Valve inductance	77 mH	- Note: S12 coil
	301 mH	- Note: S24 coil

Performance





Dimensions



Accessories

Seal kit	SK-G028-X-BT (x = seal option)
Mounting plate	Hf p/n 4595096 (sold separately)
Mounting screw	M5-0.8 x 12 mm long. Hf p/n 4002609 (sold separately)
Valve body	Hf p/n 71612x0 (sold separately)

Order Code

POSITION	CODE	DESCRIPTION
		SVPR98-G38G-H-J-KL-S-U
G		Screen
G	BLANK	None
G	S	142 micron Screen
H		Porting
H	0	No Body
J		Seal
J	G	HNBR
J	V	Fluorocarbon
K		Coil Voltage
K	12	12 Volt Coil
K	24	24 Volt Coil
L		Coil Termination
L	ER	Deutsch DT04-2P
L	EJ	AMP Junior Timer
L	EJ2	Ampseal 16 Key A
L	EY2A	Metripack 150.2



POSITION	CODE	DESCRIPTION
L	ER/Z	Deutsch DT04-2P w/ Bidirectional Zener Diode
L	EJ/Z	AMP Junior Timer w/ Bidirectional Zener Diode
L	EJ2/Z	Ampseal 16 Key A w/ Bidirectional Zener Diode
L	EY2A/Z	Metripack 150.2 w/ Bidirectional Zener Diode
S		Regulated Pressure
S	M21	21 bar (304 psi)
S	M29	29 bar (421 psi)
S	M34	34 bar (493 psi)
S	M40	40 bar (580 psi)
U		Mounting Plate
U	BLANK	None
U	G	Standard Single Valve Plate
U	T	Retro-Fit Plate

ORDERING INFORMATION

SVPR98-G38X-0-X-XXXXX/X-MXX-X

