

Single counterbalance

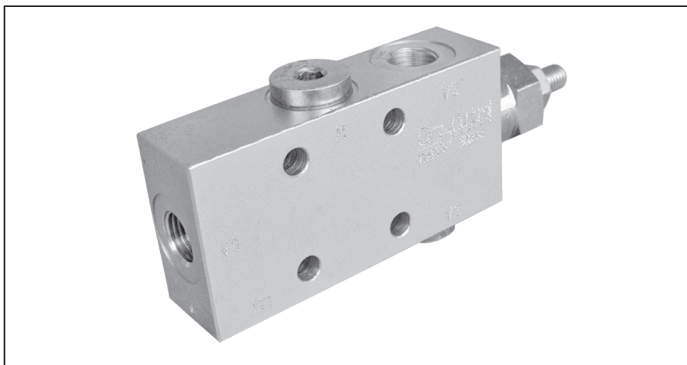
A-VBSO-SE-78-PL-FC2

08.49.68 - X - Y - Z

RE 18307-36

Edition: 03.2016

Replaces: 07.2012



Technical data

Max. operating pressure	350 bar (5000 psi)
Max. flow	40 l/min. (11 gpm)
Weight	0.8 kg (1.76 lbs)
Manifold material	Zinc plated steel
Flange seal kit ¹⁾	E00000000000031 (R930005645)
Fluid	Mineral oil (HL, HLP) according DIN 51524
Fluid temperature range	-30 °C to 100 (-22 to 212 °F)
Viscosity range	5 to 800 mm ² /s (cSt)
Recommended degree of fluid contamination	Class 19/17/14 according to ISO 4406
Other technical data	see data sheet 18350-50
Relief setting:	at least 1.3 times the load induced pressure.

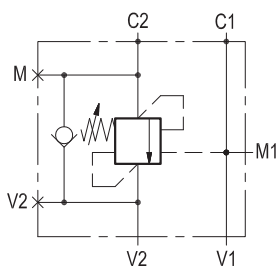
Note: for applications outside these parameters, please consult us.

¹⁾ Seals for 5 valves.

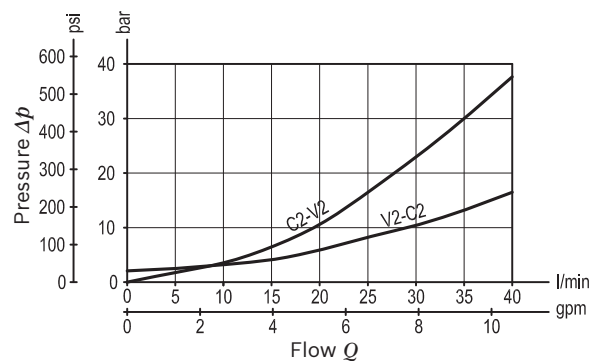
Description

When pressure at V2 rises above the spring bias pressure, the check seat is pushed away from the piston and flow is allowed from V2 to C2. When load pressure at C2 rises above the pressure setting, the direct operated relief function is activated and flow is relieved from C2 to V2. With pilot pressure at V1-C1, the pressure setting is reduced in proportion to the stated ratio of the valve, until opening and allowing flow from C2 to V2. The spring chamber is drained to V2, and back-pressure at V2 is additive to the pressure setting in all functions. For better safety and compact assembly, the C1 and C2 ports are gasket mounted directly on the actuator.

Note: port identified with M are not protected with calibrated orifice but in direct connection with pressure channels.



Characteristic curve




Ordering code

08.49.68	X	Y	Z
-----------------	----------	----------	----------

Single counterbalance	
Pilot ratio	
03	4.1 : 1

	SPRINGS		
	Adj. pressure range bar (psi)	Pres. increase bar/turn (psi/turn)	Std. setting Q=5 (l/min) bar (psi)
35	200-350 (2900-5000)	175 (2538)	350 (5000)

Tamper resistant cap code
ordering code 11.04.23.002
Mat. no. R930000752 

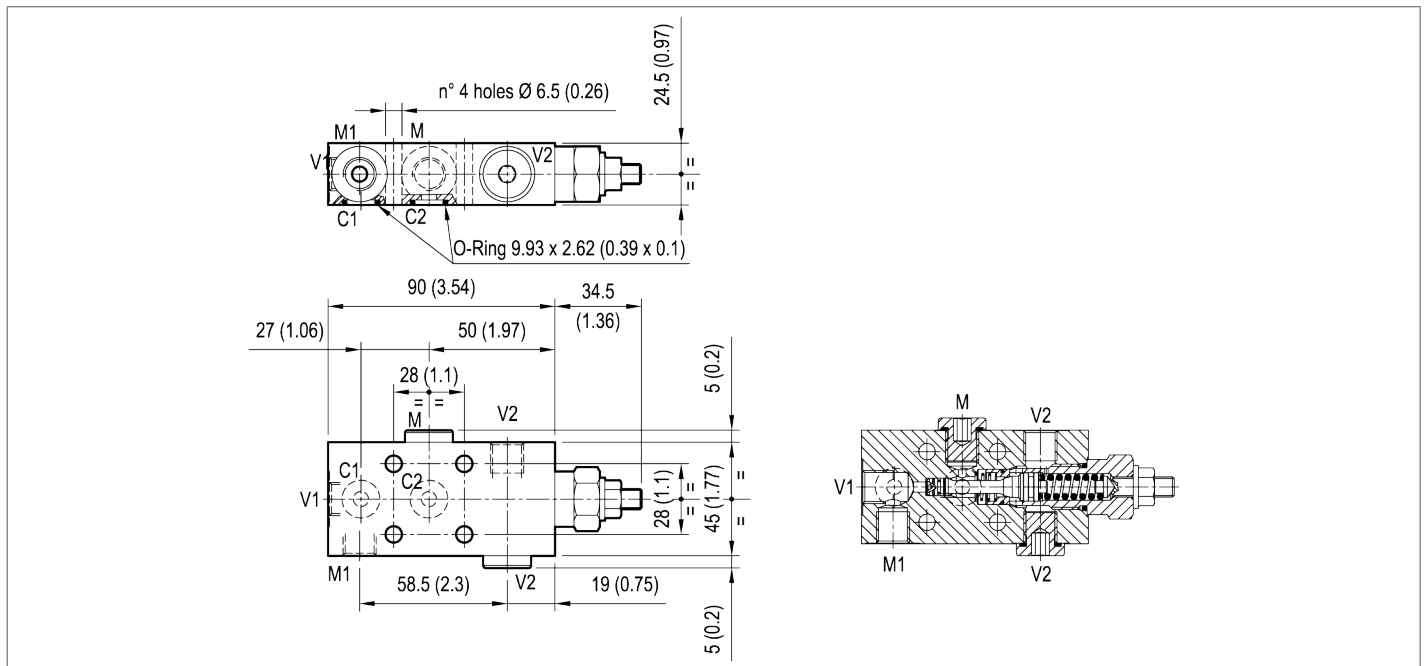
Port sizes	V2 - C2	C1 - C2	M - M1
09	G 1/4	Ø 6 (0.24)	G 1/4

Preferred types

Type	Material number
084968030935000	R930003978

Type	Material number

Dimensions



Bosch Rexroth Oil Control S.p.A.

Via Leonardo da Vinci 5
P.O. Box no. 5
41015 Nonantola – Modena, Italy
Tel. +39 059 887 611
Fax +39 059 547 848
compact-hydraulics-pib@boschrexroth.com
www.boschrexroth.com/compacthydraulics

© This document, as well as the data, specifications and other information set forth in it, are the exclusive property of Bosch Rexroth Oil Control S.p.a.. It may not be reproduced or given to third parties without its consent. The data specified above only serve to describe the product. No statements concerning a certain condition or suitability for a certain application can be derived from our information. The information given does not release the user from the obligation of own judgment and verification. It must be remembered that our products are subject to a natural process of wear and aging. Subject to change.