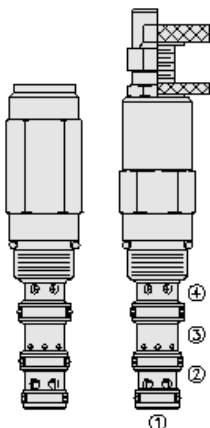
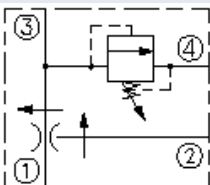




## Overview



### Symbol



### Description

The FRRV10-41F is a screw-in, cartridge type, combination valve includes a pressure compensated, non adjustable priority type flow regulator and a pressure relief valve. The valve is intended for use with mineral based or synthetic hydraulic fluids with lubricating properties

### Operation

It maintains a constant flow rate from port 3 regardless of load pressure changes at priority port 3, or bypass port 2

### Features

- Two valve functions in one, industry-common cavity.
- Adjustments cannot be backed out of the valve.
- Relief valve adjustments prohibit relief valve spring from going solid.
- Quiet, modulated response.
- Hardened parts for long life.

## Ratings

### Pressure Ratings

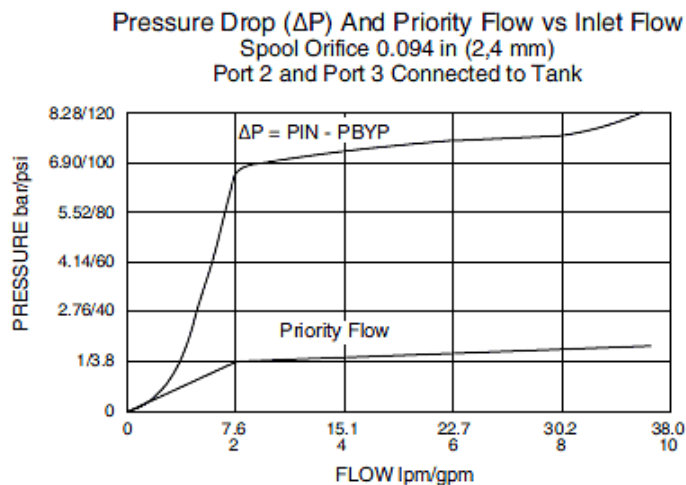
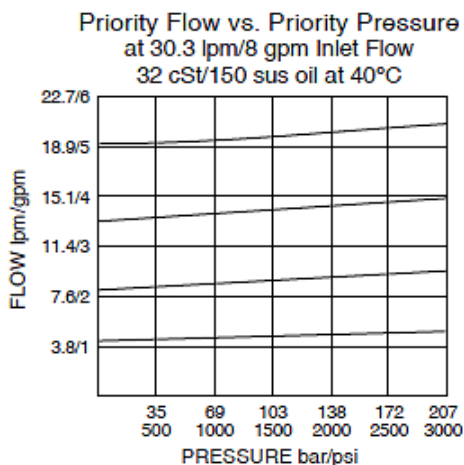
Pressure rating 207 bar (3000 psi)  
276 bar (4000 psi) - **Note:** Maximum system pressure

### Flow Ratings

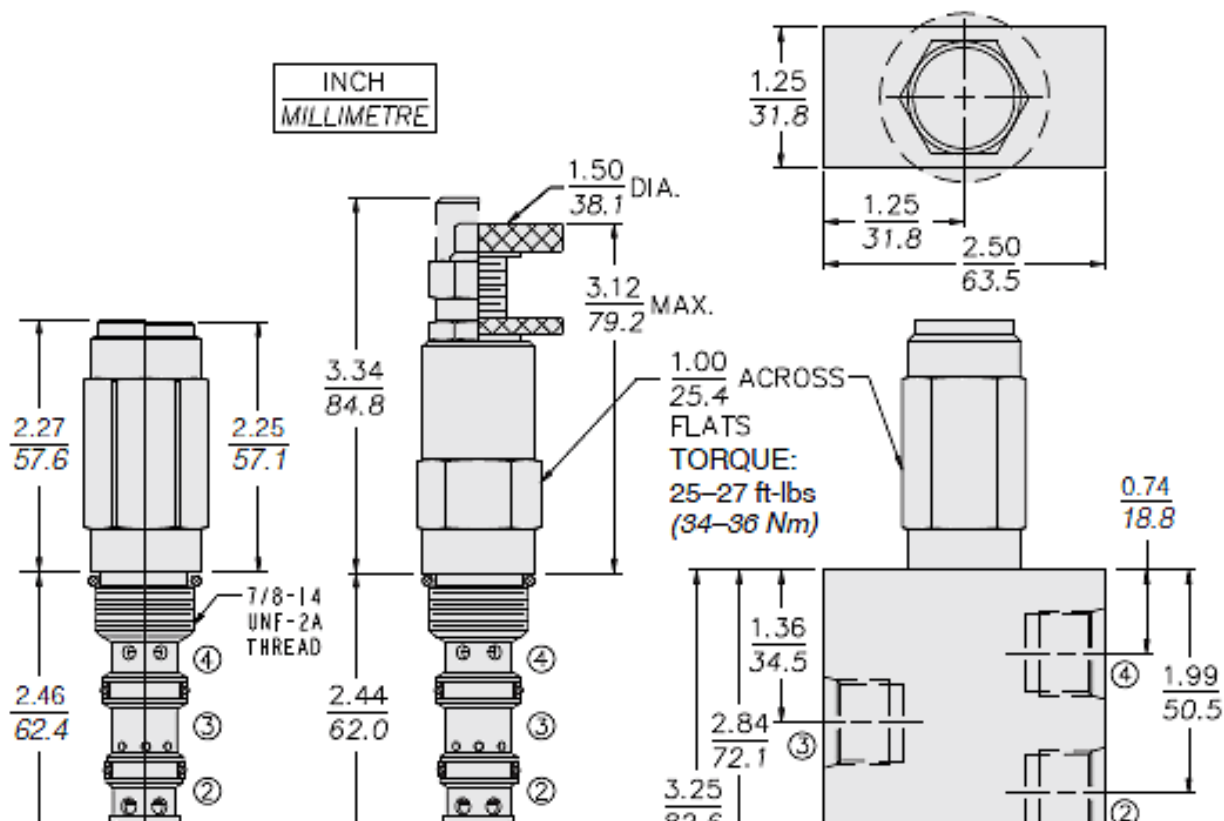
Priority flow rating 19.0 lpm (5.0 gpm) - **Note:** Maximum  
Inlet flow rating 38.0 lpm (10.0 gpm) - **Note:** Maximum



**Performance**



**Dimensions**





## Materials

### Materials

**Cartridge:** Weight: 0.34 kg. (0.70 lbs.); Steel with hardened work surfaces. Zinc-plated exposed surfaces; Buna N O-rings and polyester elastomer back-ups standard. Anodized aluminum knobs and caps.

**Standard Ported Body:** Weight: 0.36 kg. (0.80 lbs.); Anodized high-strength 6061 T6 aluminum alloy, rated to 207 bar (3000 psi); Ductile iron bodies available; dimensions may differ. For Pressure Adjustment option details,

## Installation Specifications

Cavity	VC10-4
--------	--------

**FRRV10-41**  
hydraforce.com

**PRIORITY FLOW REGULATOR WITH BUILT-IN PRESSURE  
RELIEF VALVE U.S. PATENT No. 7,063,100**



Order Code



POSITION	CODE	DESCRIPTION
		FRRV10-41F-H-J-S-T
F		Adjustment Option
F	F/A	1/4" Hex Allen Head
F	F/B	1-1/2" Diameter Aluminum Knob with Aluminum Lock Knob
F	F/C	1/4" Hex Allen Head with Cover Cap
F	F/F	Factory Preset Non-Adjustable
F	F/H	Factory Preset Hidden Adjustment
F	F/L	1/4" Hex Allen Head with Cover Cap and Lockwire Holes
H		Line Body
H	0	No Body
H	6T	Aluminum SAE 6
H	8T	Aluminum SAE 8
H	6TD	Ductile Iron SAE 6
J		Seal
J	N	Buna-N
J	V	Fluorocarbon
J	P	Polyurethane
J	U	PPDI Urethane
S		Spring Setting
S	MXXX	Spring Setting in XXX bar
S	XX	Spring Setting in XX psi (x 100)
T		Flow Setting
T	XX	Flow Setting



**FRRV10-41F** - - - /

- Adjustment Option**
- 1/4 in. Hex Allen Head **A**
  - 1-1/2 in. Dia. Alum Knob **B**
  - Option A w/Cover Cap **C**
  - Factory Preset Non-Adj. **F**
  - Factory Preset Hidden Adj. **H**
  - Option C w/Lockwire Holes **L**

See page 6.003.1 for adjustment option details.

**Porting**

- Pressure Setting in bar†**
- (Blank) for Adjustable, or Specify, for example:  
Range: 17 to 207 bar
  - M25** 25 bar
  - M100** 100 bar
  - Setting in psi†**
  - (Blank) for Adjustable, or Specify, for example:  
Range: 250 to 3000 psi
  - 9.0** 900 psi
  - 23.5** 2350 psi

