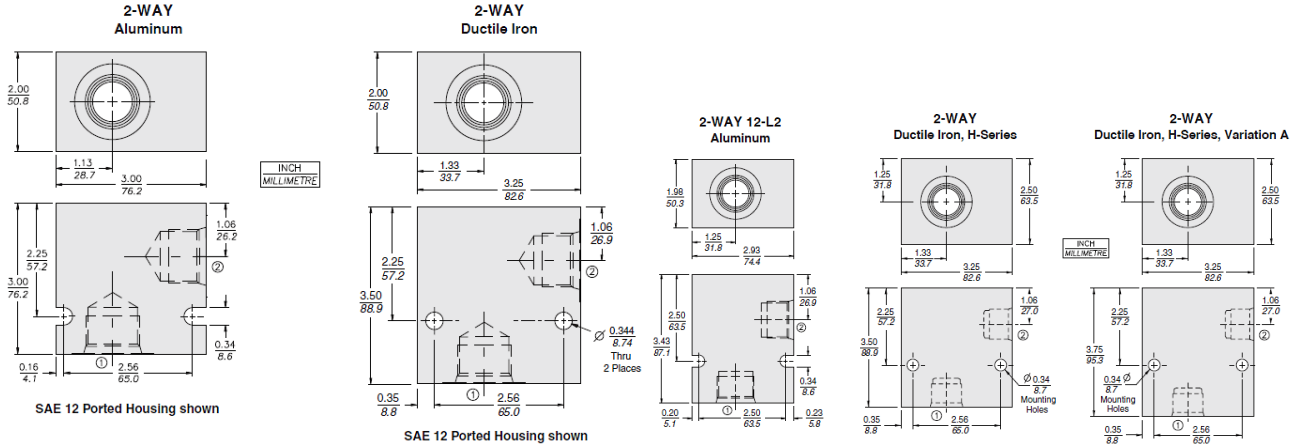




Ratings

Pressure rating	207 bar (3000 psi)	- Note:
	Aluminum	
	345 bar (5000 psi)	- Note:
	Ductile iron	
Material	6061-T6511	- Note:
	Aluminum	
	Dura-bar	- Note: Ductile iron

Dimensions





## Part Numbers

### CAVITY: HVC12-2

P/N: 7158410	Code: 12HT	Material: DUCTILE IRON			
Port 1	Port 2	Port 3	Port 4	Port 5	Port 6
SAE 12	SAE 12				

### CAVITY: HVC12-2A

P/N: 7160020	Code: 12HT	Material: DUCTILE IRON			
Port 1	Port 2	Port 3	Port 4	Port 5	Port 6
SAE 12	SAE 12				

NOTE: Designed for use with HPV12-20 and HPV12-21 valves

### CAVITY: HVC12-2B

P/N: 7020660	Code: 10T	Material: ALUMINUM			
Port 1	Port 2	Port 3	Port 4	Port 5	Port 6
SAE 10	SAE 10				

NOTE: Designed for use with PV72-20, PV72-21, and FR12-23 valves

P/N: 7020670	Code: 12T	Material: ALUMINUM			
Port 1	Port 2	Port 3	Port 4	Port 5	Port 6
SAE 12	SAE 12				

NOTE: Designed for use with PV72-20, PV72-21, and FR12-23 valves

P/N: 7020650	Code: 8T	Material: ALUMINUM			
Port 1	Port 2	Port 3	Port 4	Port 5	Port 6
SAE 8	SAE 08				

NOTE: Designed for use with PV72-20, PV72-21, and FR12-23 valves

### CAVITY: VC12-2

P/N: 7022240	Code: 10T	Material: ALUMINUM			
Port 1	Port 2	Port 3	Port 4	Port 5	Port 6
SAE 10	SAE 10				

P/N: 7022250	Code: 12T	Material: ALUMINUM			
Port 1	Port 2	Port 3	Port 4	Port 5	Port 6
SAE 12	SAE 12				

P/N: 7022260	Code: 16T	Material: ALUMINUM			
Port 1	Port 2	Port 3	Port 4	Port 5	Port 6
SAE 16	SAE 16				

P/N: 7155010	Code: 12TD	Material: DUCTILE IRON			
Port 1	Port 2	Port 3	Port 4	Port 5	Port 6
SAE 12	SAE 12				

P/N: 7155020	Code: 16TD	Material: DUCTILE IRON			
Port 1	Port 2	Port 3	Port 4	Port 5	Port 6
SAE 16	SAE 16				

P/N: 7022530	Code: 8B	Material: ALUMINUM			
Port 1	Port 2	Port 3	Port 4	Port 5	Port 6
1" BSP	1" BSP				

P/N: 7155060	Code: 8BD	Material: DUCTILE IRON			
Port 1	Port 2	Port 3	Port 4	Port 5	Port 6
1" BSP	1" BSP				