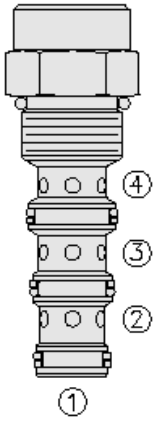




Overview



Description

The BV10-40 is a spool type pressure to shift, spring return, three position valve. It is designed so that oil pressure at either inlet ('M') port can be directed to the 'C' port.

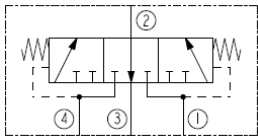
Operation

The BV10-40 is normally used to release a spring applied park brake whenever hydraulic power is directed to move a load. In the neutral position 'C' port is open to tank. When the pressure differential between the 'M' Ports exceeds approximately 80 psi the spool has moved far enough to close the tank port and open the higher pressure 'M' port to 'C'.

Features

- Hardened work surfaces.
- Industry-common cavity.

Symbol



Ratings

Pressure Ratings

Pressure rating 241 bar (3500 psi)

Flow Ratings

Flow rating See graph

Maximum internal leakage 164 ml/min (10 in³/min) - **Note:** At 207 bar (3000 psi)

Temperature Ratings

Operating fluid temperature	-40 to 100 °C (-40 to 212 °F)	- Note: With buna N seals
	-26 to 204 °C (-15 to 400 °F)	- Note: With viton seals
	-54 to 107 °C (-65 to 225 °F)	- Note: With polyurethane seals
Storage temperature	-40 to 70 °C (-40 to 160 °F)	
Ambient temperature	-40 to 70 °C (-40 to 160 °F)	

Operating Parameters

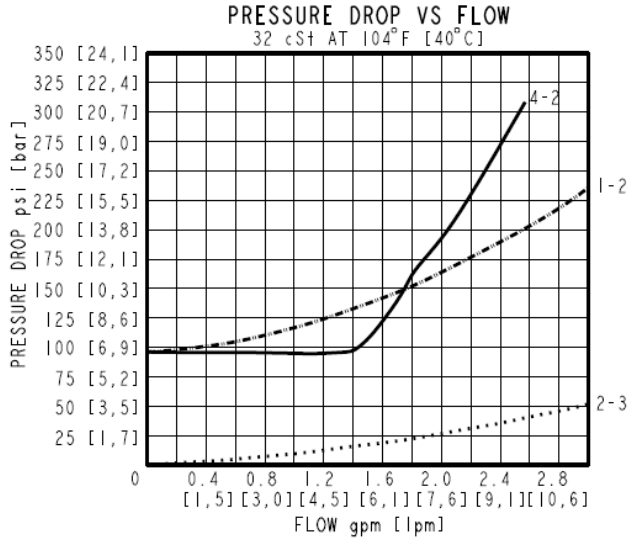
Fluids	Mineral based or synthetic hydraulic fluid with lubricating properties
Fluid viscosity range	7.4 to 420 cSt
Maximum operating contamination level	20/18/14 per ISO 4406

Properties

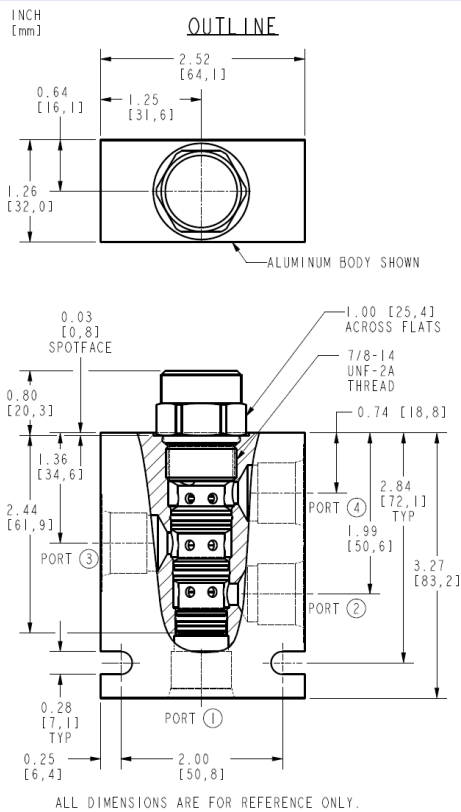
Unit weight	0.163 kg (0.36 lb)
Internal wetted surface area	172 cm ² (26.7 in ²)



Performance



Dimensions



Installation Specifications

Cavity	VC10-4
Cartridge installation torque	32.6 to 35.4 N-m (24 to 26 ft-lb)
Orientation restriction	None

Accessories

Seal kit	SK10-4N-TBT	- Note: Buna N
	SK10-4V-TBT	- Note: Viton
	SK10-4P-TBT	- Note: Polyurethane



Order Code

ORDERING INFORMATION:

BV10-40-X-X

BASE MODEL NUMBER

PORTING:

CARTRIDGE ONLY - 0

SEAL OPTION:

BUNA N - N

FLUOROCARBON - V

POLYURETHANE - P

Model Options

BV10-40-H-J

H Line Body

CODE	DESCRIPTION
0	No Body
6T	Aluminum SAE 6
8T	Aluminum SAE 8
6TD	Ductile Iron SAE 6

J Seal

CODE	DESCRIPTION
N	Buna-N
V	Fluorocarbon
P	Polyurethane
U	PPDI Urethane