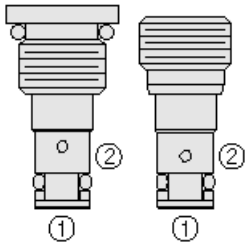




Overview



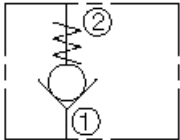
Description

The CV04-20 is a screw-in, cartridge style, hydraulic check valve for use as a blocking or load-holding device.

Operation

The cartridge valve allows flow from port 1 to 2, while normally blocking flow in the opposite direction. The cartridge valve has a fully guided check which is spring biased closed until sufficient pressure is applied at port 1 to open to port 2.

Symbol



Ratings

Pressure Ratings

Pressure rating 241 bar (3500 psi)

Flow Ratings

Flow rating 7.6 lpm (2 gpm)
Maximum internal leakage 0.10 ml/min (2 drops/min) - **Note:** At 241 bar (3500 psi)

Temperature Ratings

Operating fluid temperature -40 to 100 °C (-40 to 212 °F) - **Note:** With buna N seals
-26 to 204 °C (-15 to 400 °F) - **Note:** With fluorocarbon seals
-54 to 107 °C (-65 to 225 °F) - **Note:** With polyurethane seals
Storage temperature -40 to 70 °C (-40 to 160 °F)
Ambient temperature -40 to 90 °C (-40 to 194 °F)

Other Ratings

Corrosion protection 960 hr salt spray per ASTM b117 (gcv04-20)

Operating Parameters

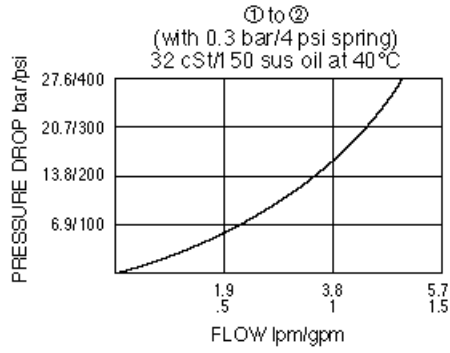
Fluids Mineral based or synthetic hydraulic fluid with lubricating properties
Fluid viscosity range 7.4 to 420 cSt
Maximum operating contamination level 20/18/14 per ISO 4406

Properties

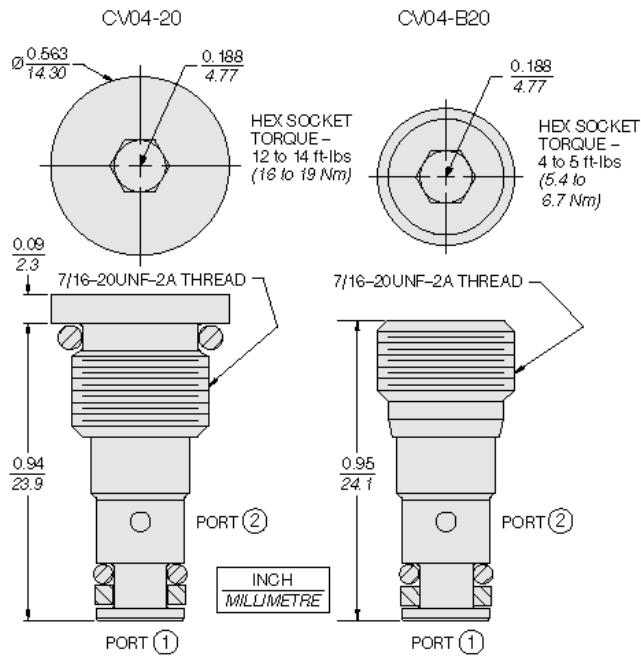
Unit weight 0.01 kg (0.03 lb)
Internal wetted surface area 16 cm² (2.5 in²)



Performance



Dimensions



Installation Specifications

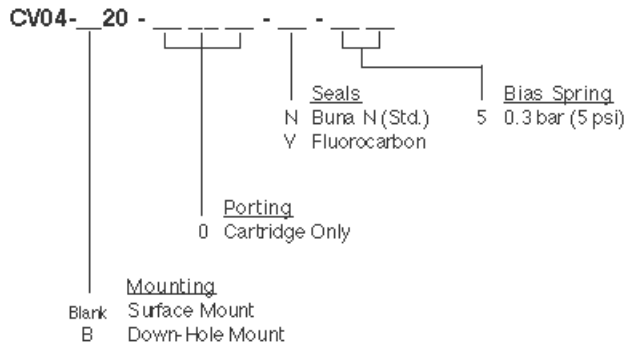
Cavity	VC04-2
Cartridge installation torque	16.3 to 19.0 N-m (12 to 14 ft-lb)
Maximum allowable torque	27.1 N-m (20 ft-lb)
Orientation restriction	None

Accessories

Seal kit	SK04-2X-T	- Note: X = seal option
----------	-----------	--------------------------------



Order Code



Model Options

CV04-20-H-J-R

H Line Body

CODE	DESCRIPTION
0	No Body

J Seal

CODE	DESCRIPTION
N	Buna-N
V	Fluorocarbon
P	Polyurethane
U	PPDI Urethane

R Spring

CODE	DESCRIPTION
5	5 psi Bias Spring