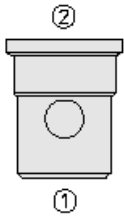




Overview



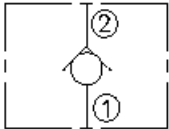
Description

The cvd08 is a drop-in cartridge style, check valve disc installed directly under a cartridge valve

Operation

The check valve allows free flow from port 2 to 1, while normally blocking flow in the opposite direction

Symbol



Ratings

Pressure Ratings

Pressure rating 250 bar (3625 psi)

Flow Ratings

Maximum internal leakage 25 ml/min (1.5 in³/min) - **Note:** At 207 bar (3000 psi)

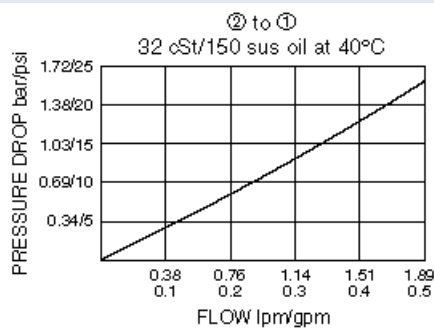
Temperature Ratings

Operating fluid temperature -40 to 120 °C (-40 to 248 °F)

Properties

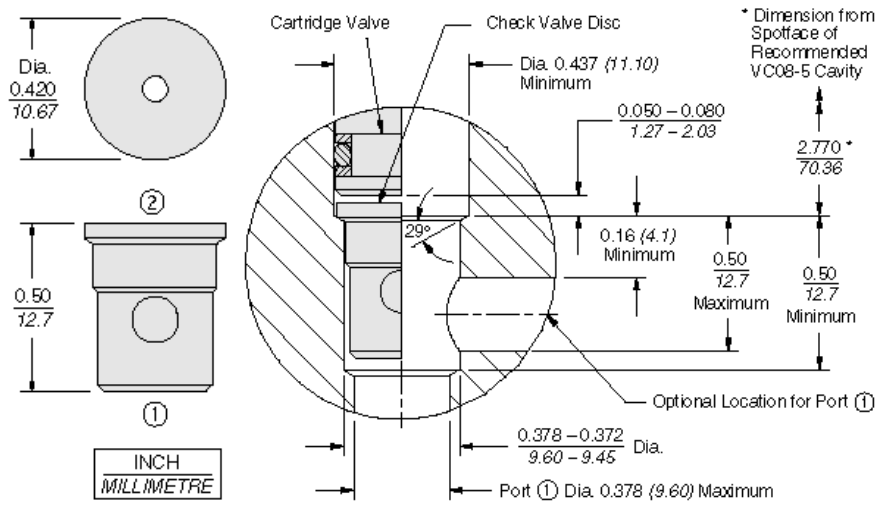
Materials Steel with hardened work surfaces
Unit weight 0.01 kg (0.02 lb)

Performance





Dimensions



Order Code

To Order

Model Code: CVD08