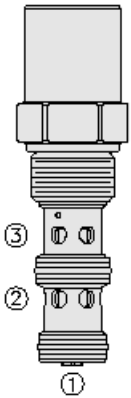




Overview



Description

EC12-34 is a screw-in, cartridge style, load sense, pressure compensator with built-in damping and load holding features.

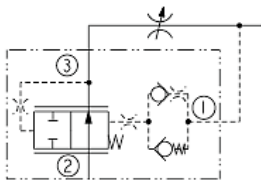
Operation

With inlet flow at port 2, port 3 will deliver required flow regardless of load pressure sensed at port 1.

Features

- Hardened parts for long life.
- Hardened seat for low-leakage load-holding capability.
- Quiet, modulated response.
- Industry-common cavity.

Symbol



Ratings

Pressure Ratings

Pressure rating	241 bar (3500 psi)	
Proof pressure	345 bar (5000 psi)	
Burst pressure	896 bar (13000 psi)	
Minimum inlet pressure required in load holding mode	17.2 bar (250 psi) 31.0 bar (450 psi)	- Note: With compensation value 8.3 bar (120 psi) - Note: With compensation value 13.8 bar (200 psi)

Flow Ratings

Flow rating	57 lpm (15.0 gpm) 83 lpm (22.0 gpm)	- Note: With compensation value 8.3 bar (120 psi) - Note: With compensation value 13.8 bar (200 psi)
Maximum internal leakage	5 drops/min (3000 psi)	- Note: At port 1 with at port 2 and port 3 blocked 207 bar (3000 psi)

Temperature Ratings

Operating fluid temperature	-40 to 100 °C (-40 to 212 °F) -26 to 204 °C (-15 to 400 °F)	- Note: With buna N seals - Note: With fluorocarbon seals
Storage temperature	-40 to 70 °C (-40 to 160 °F)	
Ambient temperature	-40 to 70 °C (-40 to 160 °F)	

Operating Parameters

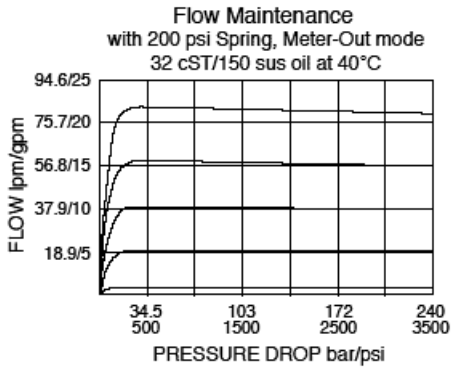
Fluids	Mineral based or synthetic hydraulic fluid with lubricating properties
Fluid viscosity range	7.4 to 420 cSt
Maximum operating contamination level	18/16/13 per ISO 4406

Properties

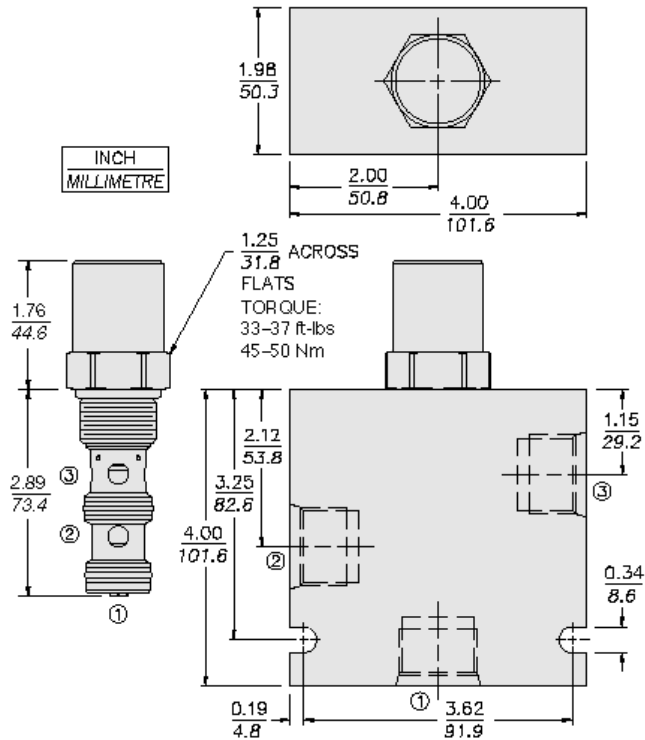
Unit weight	0.42 kg (0.92 lb)
Internal wetted surface area	280 cm ² (43.47 in ²)



Performance



Dimensions



Installation Specifications

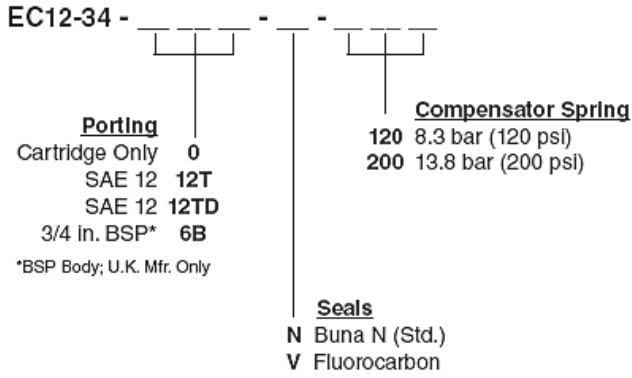
Cavity	VC12-3
Cartridge installation torque	45 to 50 N-m (33 to 37 ft-lb)
Orientation restriction	None

Accessories

Seal kit	SK12-3X-MM	- Note: X = seal option
----------	------------	-------------------------



Order Code



Model Options

EC12-34-H-J-R

H Line Body

CODE	DESCRIPTION
0	No Body
8T	Aluminum SAE 8
10T	Aluminum SAE 10
12T	Aluminum SAE 12
12TD	Ductile Iron SAE 12
6B	Aluminum BSPP 3/4" (6)

J Seal

CODE	DESCRIPTION
N	Buna-N
V	Fluorocarbon
P	Polyurethane
U	PPDI Urethane

R Compensator Spring

CODE	DESCRIPTION
120	120 Compensator Spring
200	200 Compensator Spring