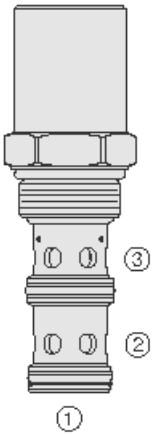




Overview



Description

EC16-32 is a screw-in, cartridge style, load sense, pressure compensator with static load sense

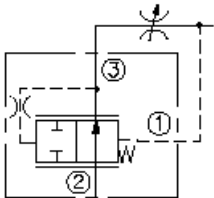
Operation

With inlet flow at port 2, port 3 will deliver required flow regardless of load pressure sensed at port 1. The valve is intended for use in mineral based or synthetic hydraulic fluids with lubricating properties

Features

- Hardened parts for long life.
- Quiet, modulated response.
- Industry-common cavity.

Symbol



Ratings

Pressure Ratings

Pressure rating	241 bar (3500 psi)
Proof pressure	690 bar (10000 psi)
Burst pressure	1275 bar (18500 psi)

Flow Ratings

Flow rating	113.6 lpm (30 gpm)	- Note: With spring 5.5 bar (80 psi)
	151.4 lpm (40 gpm)	- Note: With spring 11.0 bar (160 psi)
	189.3 lpm (50 gpm)	- Note: With spring 13.8 bar (200 psi)
Maximum internal leakage	98 ml/min (6.0 in ³ /min)	- Note: From port 2 to 1 at 3500 psi

Temperature Ratings

Operating fluid temperature	-40 to 100 °C (-40 to 212 °F)	- Note: With buna N seals
	-26 to 204 °C (-15 to 400 °F)	- Note: With viton seals
	-54 to 107 °C (-65 to 225 °F)	- Note: With polyurethane seals
Storage temperature	-40 to 70 °C (-40 to 160 °F)	
Ambient temperature	-40 to 70 °C (-40 to 160 °F)	

Operating Parameters

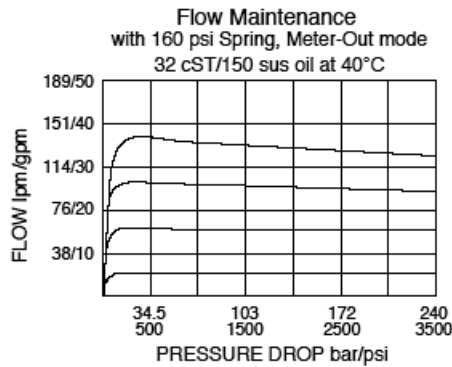
Fluids	Mineral based or synthetic hydraulic fluid with lubricating properties
Fluid viscosity range	7.4 to 420 cSt
Maximum operating contamination level	20/1//14 per ISO 4406

Properties

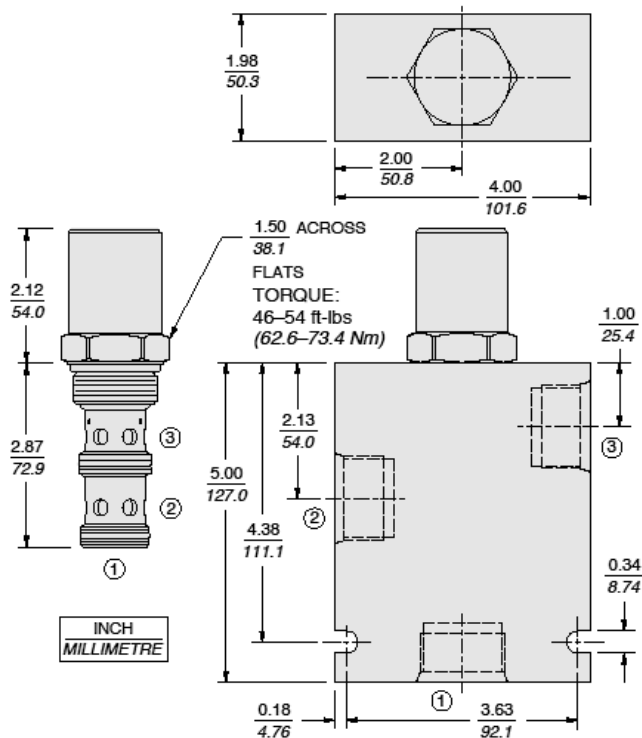
Unit weight	0.64 kg (1.4 lb)
Internal wetted surface area	368 cm ² (57 in ²)



Performance



Dimensions



Materials

Materials

Cartridge: Weight: 0.47 kg (1.04 lb); Steel with hardened work surfaces. Zinc-plated exposed surfaces; Buna N O-rings and polyester elastomer back-ups standard.

Standard Ported Body: Weight: 1.50 kg (3.3 lb); Anodized high-strength 6061 T6 aluminum alloy, rated to 207 bar (3000 psi); Ductile iron bodies available; dimensions may differ.

Installation Specifications

Cavity	VC16-3
Cartridge installation torque	133 to 138 N-m (98 to 102 ft-lb)
Orientation restriction	None

Accessories

Seal kit	SK16-3X-MM	- Note: X = seal option
Housings		



Order Code

POSITION	CODE	DESCRIPTION
		EC16-32-H-J-R
H		Line Body
H	0	No Body
H	12T	Aluminum SAE 12
H	16T	Aluminum SAE 16
H	16TD	Ductile Iron SAE 16
J		Seal
J	N	Buna-N
J	V	Fluorocarbon
J	P	Polyurethane
J	U	PPDI Urethane
R		Compensator Spring
R	80	80 Compensator Spring
R	160	160 Compensator Spring
R	200	200 Compensator Spring

