



## Overview



### Description

EC16-32 is a screw-in, cartridge style, load sense, pressure compensator with static load sense.

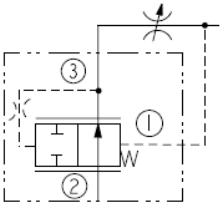
### Operation

With inlet flow at port 2, port 3 will deliver required flow regardless of load pressure sensed at port 1. 0.53 mm (0.021 in) diameter orifice is recommended to be installed in load sense line at port 1 for better stability.

### Features

- Hardened parts for long life.
- Quiet, modulated response.
- Industry-common cavity.

### Symbol



## Ratings

### Pressure Ratings

Pressure rating	345 bar (5000 psi)
Proof pressure	690 bar (10000 psi)
Burst pressure	1275 bar (18500 psi)

### Flow Ratings

Flow rating	113.6 lpm (30 gpm)	- <b>Note:</b> With 5.5 bar (80 psi) spring
	151.4 lpm (40 gpm)	- <b>Note:</b> With 11.0 bar (160 psi) spring
	189.3 lpm (50 gpm)	- <b>Note:</b> With 13.8 bar (200 psi) spring
Maximum internal leakage	98 ml/min (6.0 in <sup>3</sup> /min)	- <b>Note:</b> From port 2 to 1 at 345 bar (5000 psi)

### Temperature Ratings

Operating fluid temperature	-40 to 100 °C (-40 to 212 °F)	- <b>Note:</b> With buna N seals
	-26 to 204 °C (-15 to 400 °F)	- <b>Note:</b> With viton seals
	-54 to 107 °C (-65 to 225 °F)	- <b>Note:</b> With polyurethane seals
Storage temperature	-40 to 70 °C (-40 to 160 °F)	
Ambient temperature	-40 to 70 °C (-40 to 160 °F)	

## Operating Parameters

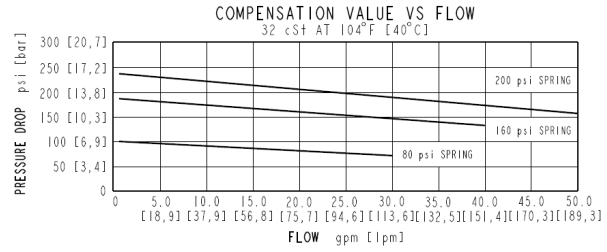
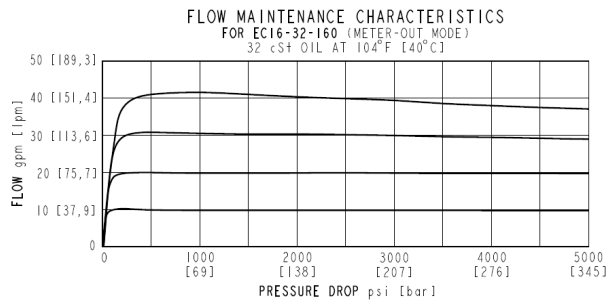
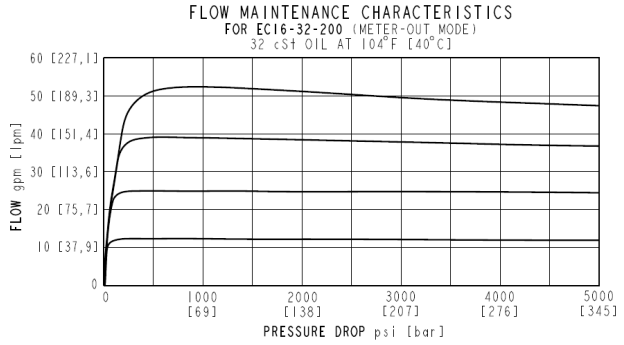
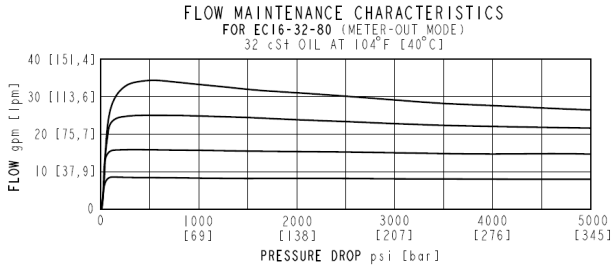
Fluids	Mineral based or synthetic hydraulic fluid with lubricating properties
Fluid viscosity range	7.4 to 420 cSt
Maximum operating contamination level	18/16/13 per ISO 4406



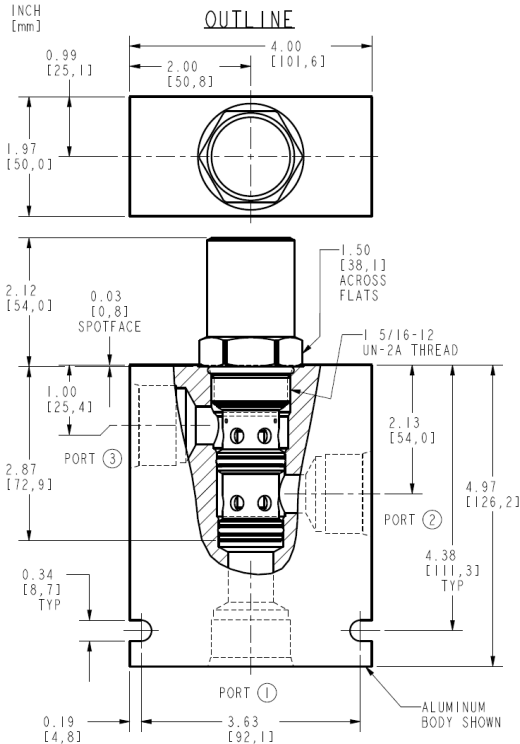
## Properties

Unit weight 0.64 kg (1.4 lb)  
Internal wetted surface area 368 cm<sup>2</sup> (57 in<sup>2</sup>)

## Performance



## Dimensions





## Installation Specifications

Cavity	VC16-3
Cartridge installation torque	133 to 138 N-m (98 to 102 ft-lb)
Orientation restriction	None

## Accessories

Seal kit	SK16-3X-MM	- <b>Note:</b> X = seal option
----------	------------	--------------------------------



**Order Code**

ORDERING INFORMATION:

EC16-32-X-X-XXX

BASE MODEL

NUMBER

PORTING

CARTRIDGE ONLY - 0

SEALS

BUNA N - N

FLUOROCARBON - V

\*POLYURETHANE - P

COMPENSATOR SPRING

80 psi [5,5 bar] - 80

160 psi [11,0 bar] - 160

200 psi [13,8 bar] - 200

\*POLYURETHANE SEALS  
RECOMMENDED FOR  
OPERATING PRESSURES  
ABOVE 3500 psi  
[241 bar].

**Model Options**

**EC16-32-H-J-R**

**H Line Body**

CODE	DESCRIPTION
0	No Body
12T	Aluminum SAE 12
16T	Aluminum SAE 16
16TD	Ductile Iron SAE 16

**J Seal**

CODE	DESCRIPTION
N	Buna-N
V	Fluorocarbon
P	Polyurethane
U	PPDI Urethane

**R Compensator Spring**

CODE	DESCRIPTION
80	80 Compensator Spring
160	160 Compensator Spring
200	200 Compensator Spring