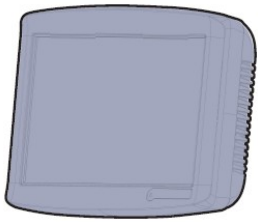




## Overview



### **Description**

The ELD-6107A/B display unit is a high-performance and rugged full-color touch screen display designed for mobile machinery. The ELD-6107 is available with cellular(A) or WLAN(B) connectivity and is fully compatible with the existing ECU-XXXX product portfolio.

### **Features**

- A multifunction display unit / controller with 32 bit processor, high calculating power, and included internal Graphics Processing Unit (GPU).
- Provides control system solutions for both centralized and distributed intelligence systems.
- Can function as electronic control unit and/or as remote access unit to provide access to internet services such as GatE and GlobE.
- CoDeSys, C 3.5 programming.
- High brightness and contrast offers an excellent readability even in direct sunlight.
- Robust, light, and leak proof aluminum housing has been widely tested against different chemicals and environmental conditions.
- Based on PLCopen and CANopen, which make them easily scalable to meet requirements for both small and large machines.
- Open I/O and communication interface makes it possible to connect sensors, actuators, joysticks, and other devices.
- Internal diagnostics which makes it possible to detect overvoltage and overtemperature conditions and program customized log applications.



## Ratings

### Electrical Parameters

Supply voltage	8.4 to 36 Vdc
Power consumption	13 W - <b>Note:</b> (+24 Vdc, idle), 100 W - <b>Note:</b> (+24 Vdc, full load)
Reference voltage output	+5 Vdc

### Processor and Memory

Processor	32-bit CPU, 792 MHz, includes internal GPU
Flash memory	4 to 16 GB
RAM	1024 MB - <b>Note:</b> DDR3
Non-volatile memory	512 kB
Operating system	Linux
Programming	CoDeSys 3.5
Diagnostics	Supply voltage Unit temperature Software cycle time REF voltage monitoring

### Properties

Unit weight	1.1 kg (2.4 lb)
Enclosure material	Aluminum
Connectors	1x AMP23 1x mini USB - <b>Note:</b> M12 2 to 4x M12 0 to 2 SMA antenna connector
Other features	RTC real-time clock with battery Speaker

### Environmental Ratings

Ingress protection class	IP65
Operating temperature	-30 to 55 °C (-22 to 131 °F) - <b>Note:</b> ELD-6107A (Cellular network) -30 to 60 °C (-22 to 140 °F) - <b>Note:</b> ELD-6107B (WLAN network)
Storage temperature	-40 to 80 °C (-40 to 176 °F)
Ingress protection class	IP65

### Network

Communications interfaces	2x CAN 2.0B - <b>Note:</b> AMP 23 RS-232 serial - <b>Note:</b> AMP 23 2x USB - <b>Note:</b> Amp 23 full speed (12 Mbps for application download only), M12 miniB-USB high speed (480 Mbps) Ethernet - <b>Note:</b> M12 (8 pin) GSM/UMTS/HSPA+ - <b>Note:</b> ELD-6107A
Geolocation	GPS/GLONASS
Camera input	2x M12 (12 pin)

### Display

Display size and type	178 mm (7 in) TFT color LCD
Touch screen	Resistive GFG (Glass-Film-Glass) The surface of the touch screen is made of thin hardened glass with anti-glare treatment
Resolution	WVGA 800 X 480 (5:3)
Number of colors	High color, 65,536 colors: 5 bits red, 6 bits green, 5 bits blue (16 bits)
Backlight	LED (lifetime 70,000 hours at 25 °C)
Display panel brightness	800 cd/m <sup>2</sup>
Display panel contrast	600:1
Viewing angle	170° (super wide)
Brightness control	Automatic/manual LED backlight control

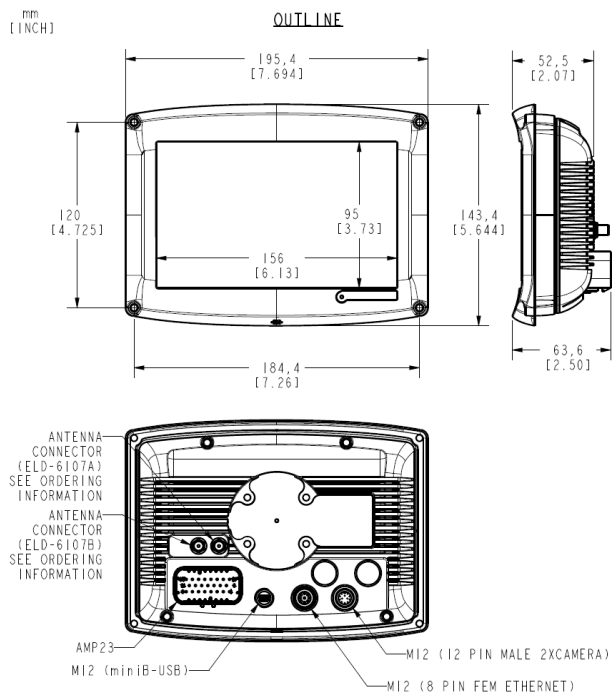


## I/O

**Flexible I/O Pins**

DO/DI	2	- <b>Note:</b> Sourcing up to 1 A
AI/DI	1	- <b>Note:</b> Pull-down to GND
DI	2	- <b>Note:</b> 0 to 5 V / 0 to 22 mA and pull-up selection by application

## Dimensions



ALL DIMENSIONS ARE FOR REFERENCE ONLY

## To Order

**ELD-6107A:** (Cellular connectivity) Part No. 4002856**ELD-6107B:** (WLAN connectivity) Part No. 4002857**Mating connector:** 23-pin AMPseal Part No. 4000360