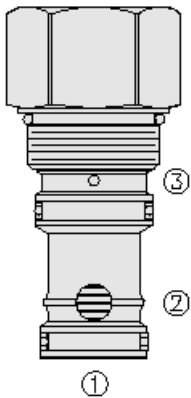




Overview



Description

The EP20-S35 is a screw-in, cartridge style, pilot to close hydraulic directional element.

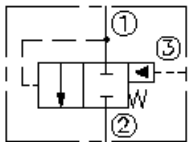
Operation

The valve is a spring-biased blocking valve which will shift to allow full flow from port 1 to 2 only when the pressure at port 1 exceeds the cumulative pressure of port 3, plus the bias spring pressure value.

Features

- Multiple function/application potential.
- Low pressure drop.
- Industry common cavity.

Symbol



Ratings

Pressure Ratings

Pressure rating 345 bar (5000 psi)

Flow Ratings

Flow rating See performance graph
Maximum internal leakage 197 ml/min (12 in³/min) - **Note:** At 345 bar (5000 psi)

Temperature Ratings

Operating fluid temperature	-40 to 100 °C (-40 to 212 °F)	- Note: With buna N seals
	-26 to 204 °C (-15 to 400 °F)	- Note: With fluorocarbon seals
	-54 to 107 °C (-65 to 225 °F)	- Note: With polyurethane seals
Storage temperature	-40 to 70 °C (-40 to 160 °F)	
Ambient temperature	-40 to 70 °C (-40 to 160 °F)	

Other Ratings

Corrosion protection Gep20-s35 - 960 hour salt spray per ASTM b117

Operating Parameters

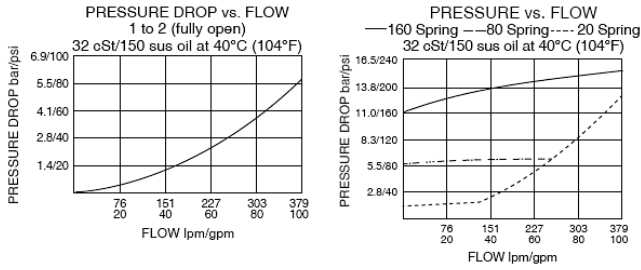
Fluids	Mineral based or synthetic hydraulic fluid with lubricating properties
Fluid viscosity range	7.4 to 420 cSt
Maximum operating contamination level	20/18/14 per ISO 4406

Properties

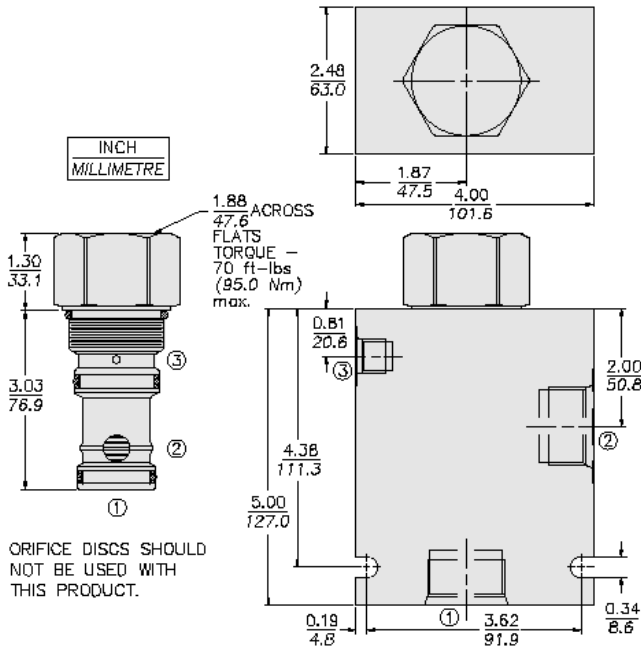
Unit weight	0.77 kg (1.7 lb)
Internal wetted surface area	412 cm ² (63.9 in ²)



Performance



Dimensions



Installation Specifications

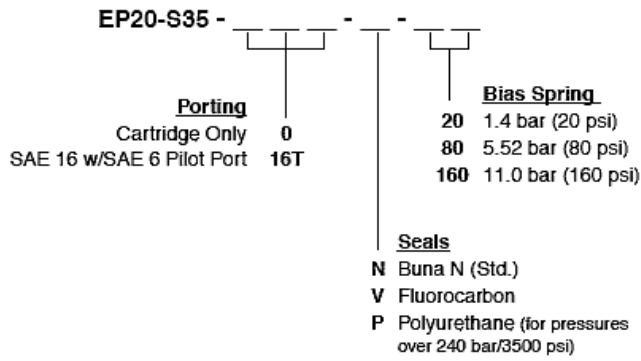
Cavity	VC20-S3
Cartridge installation torque	88 to 102 N-m (65 to 75 ft-lb)
Orientation restriction	None

Accessories

Seal kit	SK20-S3X-MM	- Note: X = seal option
----------	-------------	-------------------------



Order Code



Model Options

EP20-S35-H-J-R

H Line Body

CODE	DESCRIPTION
0	No Body
16T	Aluminum SAE 16
16TD	Ductile Iron SAE 16

J Seal

CODE	DESCRIPTION
N	Buna-N
V	Fluorocarbon
P	Polyurethane
U	PPDI Urethane

R Spring

CODE	DESCRIPTION
20	20 psi Bias Spring
80	80 psi Bias Spring
160	160 psi Bias Spring