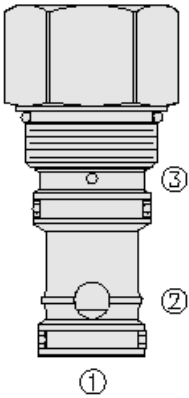




Overview



Description

The EP20-S38 is a screw-in cartridge style hydraulic directional element. It is a spring biased bi-directional blocking poppet type valve.

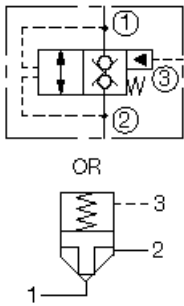
Operation

It will block port 1 to 2 or 2 to 1 until pressure at port 1 or 2 exceeds the cumulative pressure at port 3 and the bias spring. With no pressure at port 3, flow will be allowed from port 1 to 2 or 2 to 1 once the bias spring force is overcome state. The ratio of areas between ports 1 and 2 is 1:1 and the ratio of areas between ports 1 or 2 and 3 is 1:2.

Features

- Multiple function/application potential.
- Low pressure drop.
- Industry common cavity.

Symbol



Ratings

Pressure Ratings

Pressure rating 241 bar (3500 psi)

Flow Ratings

Maximum internal leakage 0.6 ml/min (12 drops/min) - Note: At 241 bar (3500 psi)

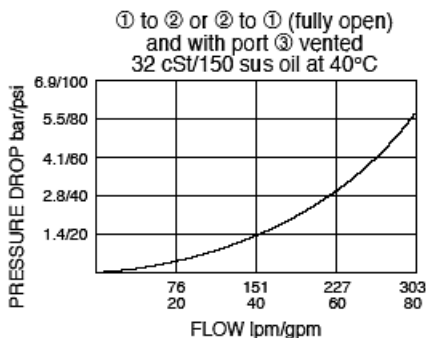
Temperature Ratings

Operating fluid temperature -40 to 120 °C (-40 to 248 °F)

Properties

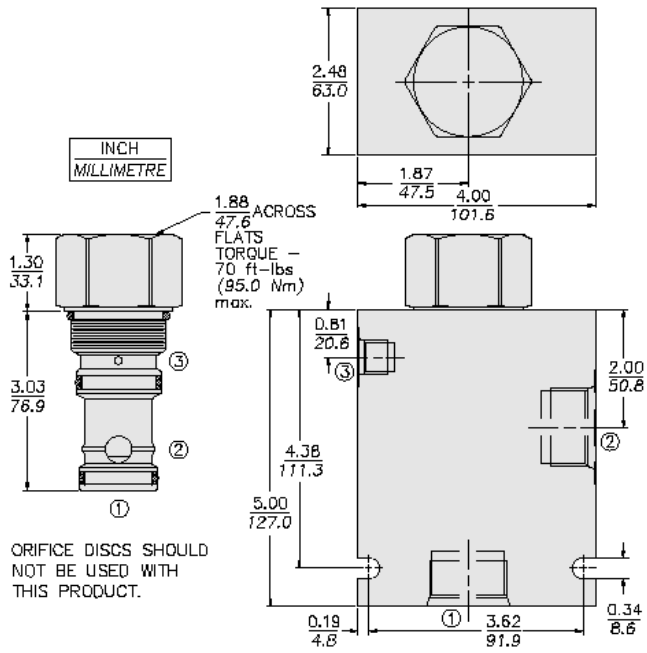
Materials steel with hardened work surfaces; zinc plated exposed surfaces
 Unit weight 0.82 kg (1.8 lb)

Performance





Dimensions



Installation Specifications

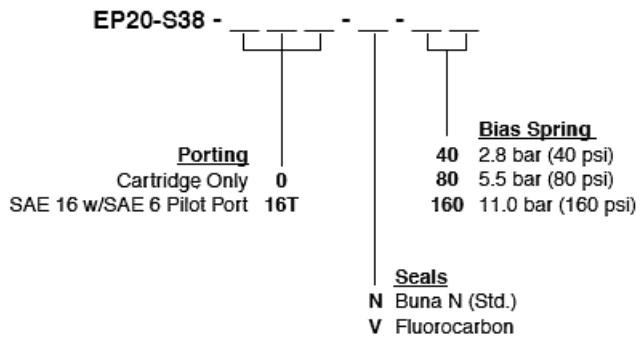
Cavity VC20-S3

Accessories

Seal kit	SK20-S3N-MM	- Note: Buna N
	SK20-S3V-M	- Note: Viton
	SK20-S3P-MM	- Note: Polyurethane



Order Code



Model Options

EP20-S38-H-J-R

H Line Body

CODE	DESCRIPTION
0	No Body
16T	Aluminum SAE 16
16TD	Ductile Iron SAE 16

J Seal

CODE	DESCRIPTION
N	Buna-N
V	Fluorocarbon
P	Polyurethane
U	PPDI Urethane

R Spring

CODE	DESCRIPTION
40	40 psi Bias Spring
80	80 psi Bias Spring
160	160 psi Bias Spring