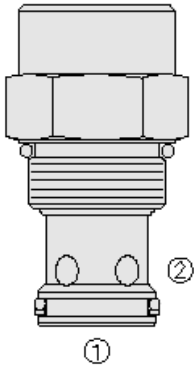




Overview



Description

A screw-in, cartridge style, fixed orifice, pressure compensated, hydraulic flow regulator valve (restrictive type).

Operation

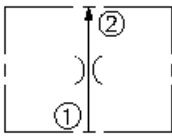
The FR16-20F maintains a constant flow rate from port 1 to 2 regardless of load pressure changes. Reverse flow returns through the control orifice and is non-compensated.

note: the valve is intended for use with mineral based or synthetic hydraulic fluids with lubricating properties.

Features

- Hardened parts for long life.
- Quiet, modulated response.
- Cost-effective cavity.

Symbol



Ratings

Pressure Ratings

Pressure rating 241 bar (3500 psi)

Flow Ratings

Flow setting 4 to 113 lpm (1 to 30 gpm)

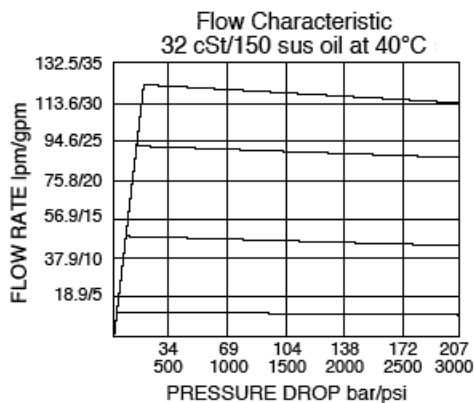
Temperature Ratings

Operating temperature -40 to 120 °C (-40 to 248 °F)

Properties

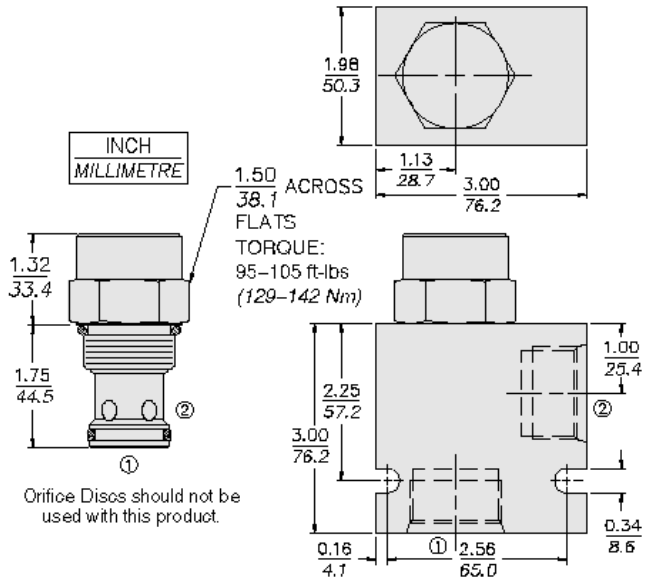
Materials steel with hardened work surfaces, external surfaces are zinc plated. Buna o-rings are standard

Performance





Dimensions

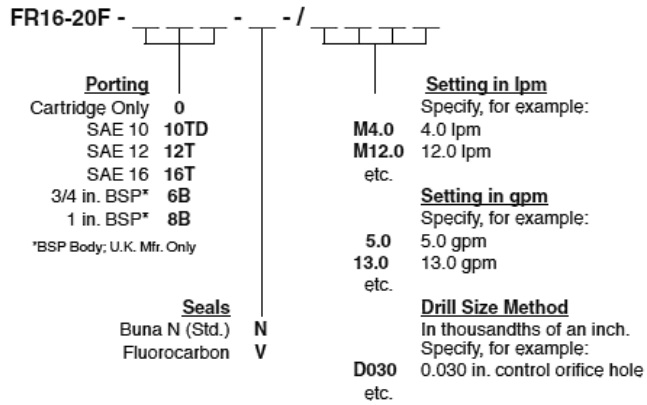


Installation Specifications

Cavity	VC16-2
Cartridge installation torque	129 to 142 N-m (95 to 105 ft-lb)



Order Code



Note: Minimum drill diameter is 0.020 in.
For smaller orifice sizes consult factory.

POSITION	CODE	DESCRIPTION
		FR16-20F-H-J/T
F		Adjustment Option
F	F	Factory Preset Non-Adjustable
H		Line Body
H	0	No Body
H	12T	Aluminum SAE 12
H	16T	Aluminum SAE 16
H	12TD	Ductile Iron SAE 12
H	16TD	Ductile Iron SAE 16
H	6B	Aluminum BSPP 3/4" (6)
H	8B	Aluminum BSPP 1" (8)
H	8BD	Ductile Iron BSPP 1" (8)
J		Seal
J	N	Buna-N
J	V	Fluorocarbon
J	P	Polyurethane
J	U	PPDI Urethane
T		Flow setting
T	XX	Flow setting