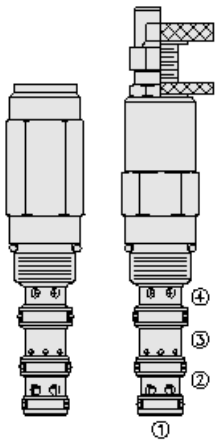




Overview



Description

The FRRV10-41F is a screw-in, cartridge type, combination valve includes a pressure compensated, non adjustable priority type flow regulator and a pressure relief valve. The valve is intended for use with mineral based or synthetic hydraulic fluids with lubricating properties.

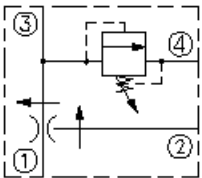
Operation

It maintains a constant flow rate from port 3 regardless of load pressure changes at priority port 3, or bypass port 2.

Features

- o Two valve functions in one, industry-common cavity.
- o Adjustments cannot be backed out of the valve.
- o Relief valve adjustments prohibit relief valve spring from going solid.
- o Quiet, modulated response.
- o Hardened parts for long life.

Symbol



Ratings

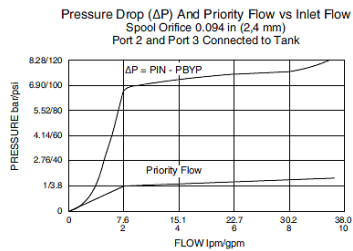
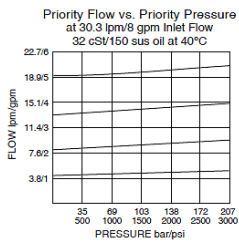
Pressure Ratings

Pressure rating 207 bar (3000 psi)
276 bar (4000 psi) - **Note:** Maximum system pressure

Flow Ratings

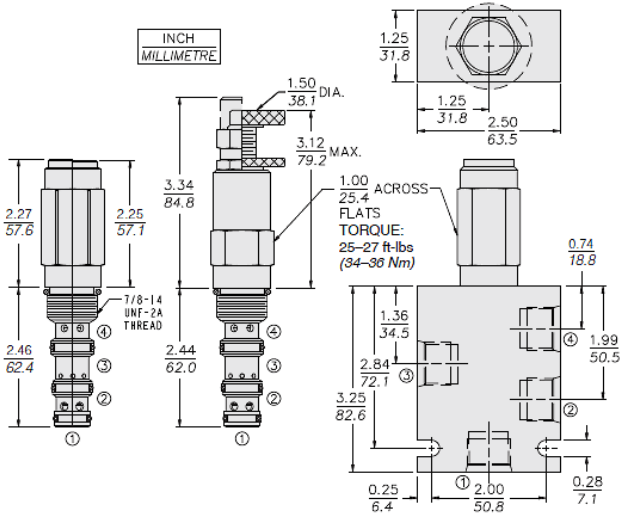
Priority flow rating 19.0 lpm (5.0 gpm) - **Note:** Maximum
Inlet flow rating 38.0 lpm (10.0 gpm) - **Note:** Maximum

Performance





Dimensions



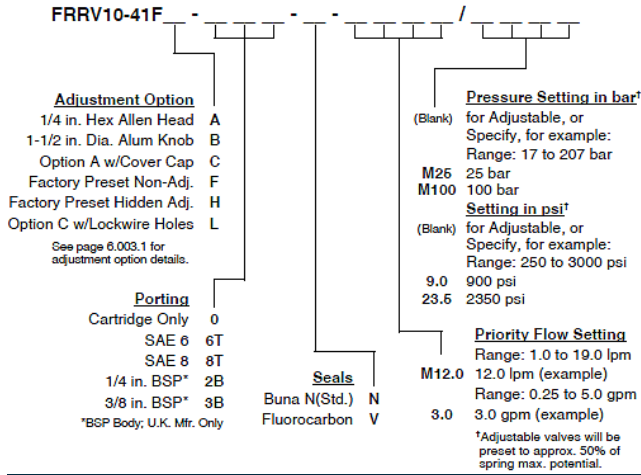
Installation Specifications

Cavity

VC10-4



Order Code



POSITION	CODE	DESCRIPTION
		FRRV10-41F-H-J-S-T
F		Adjustment Option
F	F/A	1/4" Hex Allen Head
F	F/B	1-1/2" Diameter Aluminum Knob with Aluminum Lock Knob
F	F/C	1/4" Hex Allen Head with Cover Cap
F	F/F	Factory Preset Non-Adjustable
F	F/H	Factory Preset Hidden Adjustment
F	F/L	1/4" Hex Allen Head with Cover Cap and Lockwire Holes
H		Line Body
H	0	No Body
H	6T	Aluminum SAE 6
H	8T	Aluminum SAE 8
H	6TD	Ductile Iron SAE 6
J		Seal
J	N	Buna-N
J	V	Fluorocarbon
J	P	Polyurethane
J	U	PPDI Urethane
S		Spring Setting
S	MXXX	Spring Setting in XXX bar
S	XX	Spring Setting in XX psi (x 100)
T		Flow Setting
T	XX	Flow Setting