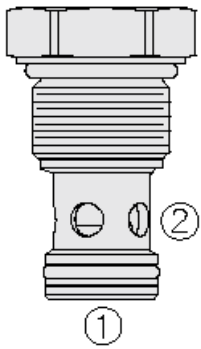




Overview



Description

The HCV12-20 is a screw-in, cartridge style, hydraulic check valve for use as a blocking or load-holding device for high pressure applications.

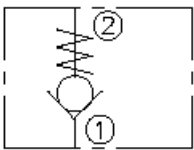
Operation

The check valve allows flow from port 1 to 2, while normally blocking flow in the opposite direction. The cartridge valve has a fully guided poppet which is spring biased closed until sufficient pressure is applied at port 1 to open to port 2.

Features

- Hardened seat for long life and low leakage.
- Optional bias springs for back-pressure application flexibility.
- Fully guided check assembly.
- Cost-effective cavity.
- All HyPerformance products are tested to the rigorous standards of the NFPA specification T2.6.1.
- All HyPerformance valves are tested at a verification level of 90% and an assurance of 99%.

Symbol



Ratings

Pressure Ratings

Pressure rating	350 bar (5075 psi) 420 bar (6090 psi)	- Note: 10% cycle life
Proof pressure	690 bar (10000 psi)	
Burst pressure	1380 bar (20000 psi)	

Flow Ratings

Flow rating	95 lpm (25 gpm)	- Note: At 350 bar (5075 psi)
Maximum internal leakage	0.25 ml/min (5 drops/min)	

Other Ratings

Cycle life	One million cycles
------------	--------------------

Temperature Ratings

Operating fluid temperature	-40 to 100 °C (-40 to 212 °F)	- Note: With buna N seals
	-26 to 204 °C (-15 to 400 °F)	- Note: With fluorocarbon seals
	-54 to 107 °C (-65 to 225 °F)	- Note: With urethane seals
Storage temperature	-40 to 70 °C (-40 to 160 °F)	
Ambient temperature	-40 to 90 °C (-40 to 194 °F)	

Operating Parameters

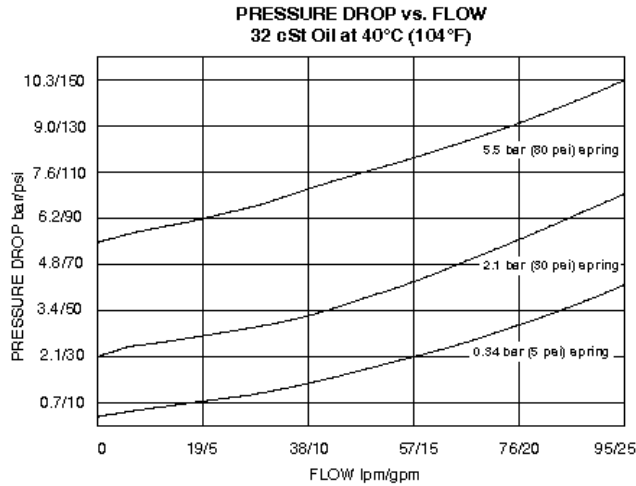
Fluids	Mineral based or synthetic hydraulic fluid with lubricating properties
Fluid viscosity range	7.4 to 420 cSt
Maximum operating contamination level	18/16/13 per ISO 4406

Properties

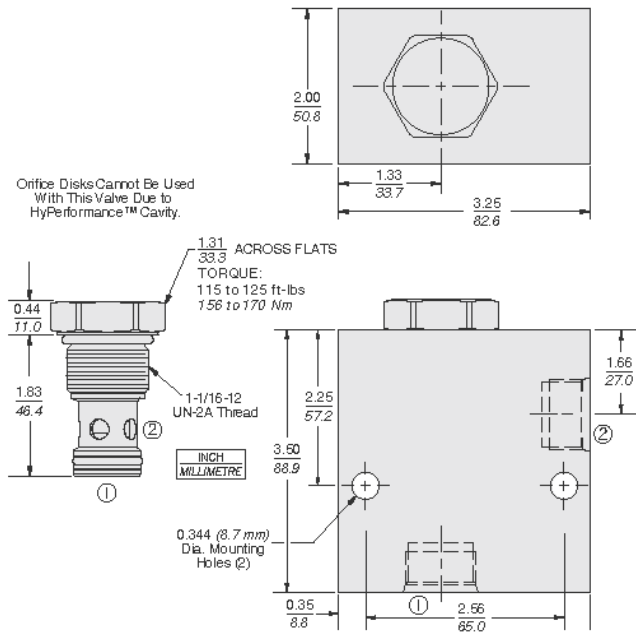
Unit weight	0.18 kg (0.40 lb)
Internal wetted surface area	135 cm ² (21 in ²)



Performance



Dimensions



Installation Specifications

Cavity	HVC12-2	
Cartridge installation torque	156 to 170 N-m (115 to 125 ft-lb) 122 to 136 N-m (90 to 100 ft-lb)	- Note: Steel/ductile iron cavity - Note: Aluminum cavity
Orientation restriction	None	

Accessories

Seal kit	SK12-2N-T SK12-2V-T SK12-2HV-T SK12-2U-O	- Note: Buna N - Note: Fluorocarbon - Note: Fluorocarbon - Note: Urethane
----------	---	--

