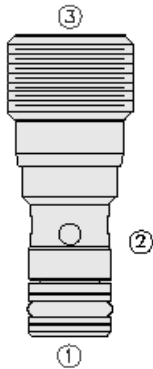




Overview



Description

A load shuttle, screw-in, cartridge style, hydraulic check valve, for use in blocking circuits where a priority of flow/direction is given to a higher pressure circuit over a lower one

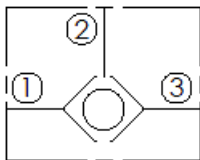
Operation

The HLS06-B30 will allow flow from the higher pressure port 1 or 3 to port 2

Features

- Rapid response to load direction changes.
- Higher flow capacity.
- Lower pressure drop.
- Reduced space claim and smaller hydraulic "footprint".

Symbol



Ratings

Pressure Ratings

Pressure rating	350 bar (5075 psi) 420 bar (6090 psi)	- Note: 10% cycle life
Proof pressure	690 bar (10000 psi)	
Burst pressure	1380 bar (20000 psi)	

Flow Ratings

Flow rating	7.6 lpm (2 gpm)
Maximum internal leakage	0.10 ml/min (2 drops/min) - Note: At 350 bar (5075 psi)

Other Ratings

Cycle life	One million cycles
------------	--------------------

Temperature Ratings

Operating fluid temperature	-40 to 100 °C (-40 to 212 °F)	- Note: With buna N seals
	-26 to 204 °C (-15 to 400 °F)	- Note: With viton seals
	-54 to 107 °C (-65 to 225 °F)	- Note: With urethane seals
Storage temperature	-40 to 70 °C (-40 to 160 °F)	
Ambient temperature	-40 to 90 °C (-40 to 194 °F)	

Operating Parameters

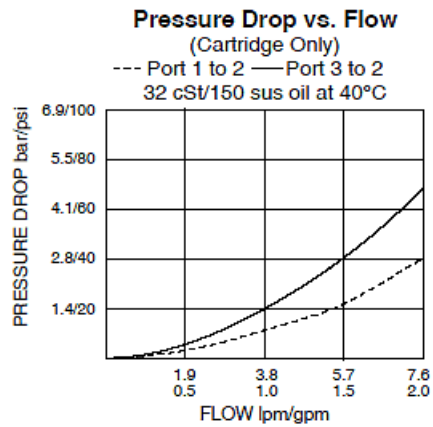
Fluids	Mineral based or synthetic hydraulic fluid with lubricating properties
Fluid viscosity range	7.4 to 420 cSt
Maximum operating contamination level	18/16/13 per ISO 4406

Properties

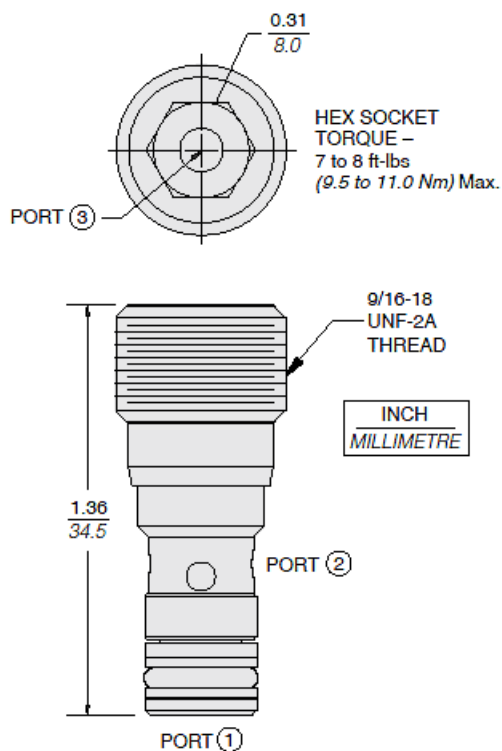
Unit weight	0.02 kg (0.04 lb)
Internal wetted surface area	28 cm ² (4.3 in ²)



Performance



Dimensions



Materials

Materials

Cartridge: Weight: 0.02 kg. (0.04 lbs.); Steel with Zinc-plated exposed surfaces; Buna N O-rings and back-ups standard.

Installation Specifications

Cavity	Hvc06-b3	
Cartridge installation torque	11.0 N-m (7 to 8 ft-lb)	- Note: Steel/ductile iron cavity
Orientation restriction	None	

Accessories

Seal kit	SK06-B3N-M SK06-B3V-M SK06-B3U-0	- Note: Buna N - Note: Viton - Note: Urethane
Housings		



Order Code

POSITION	CODE	DESCRIPTION
		HLS06-B30-H-J
H		Line Body
H	0	No Body
J		Seal
J	N	Buna-N
J	V	Fluorocarbon
J	U	PPDI Urethane

