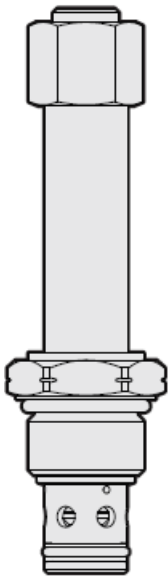




Overview



Description

The HSV10-29X is a high pressure 2-way, piloted, poppet-type, normally open, bi-directional, screw-in hydraulic cartridge valve designed to function as a load holding or blocking valve in applications requiring low internal leakage bi-directionally.

Operation

When de-energized, THE HSV10-29X allows flow in both directions. when energized, the valve blocks flow in both directions.

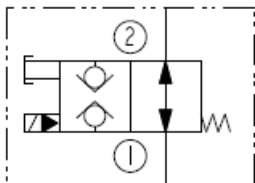
Manual Override Operation

To shift the valve manually, push and hold down manual override button/knob. Note: The manual override features is intended for emergency use, not for continuous-duty operation.

Features

- Continuous-duty rated coil.
- Hardened seat for long life and low leakage.
- Optional coil voltages and terminations.
- Efficient wet-armature construction.
- Cartridges are voltage interchangeable.
- Waterproof E-Coils rated up to IP69K.
- Unitized, molded coil design.
- 960-hour salt-spray rated solenoid tubes and coils.
- All HyPerformance products are tested to NFPA specification T2.6.1 and are tested at a verification level of 90% and an assurance of 99%.

Symbol



Ratings

Pressure Ratings

Pressure rating	350 bar (5075 psi)	- Note: 10% cycle life
	420 bar (6090 psi)	
Proof pressure	690 bar (10000 psi)	
Burst pressure	1380 bar (20000 psi)	

Flow Ratings

Flow rating	75.7 lpm (20 gpm)
Maximum internal leakage	5 drops/min - Note: With 350 bar (5075 psi)

Other Ratings

Cycle life	One million cycles
------------	--------------------

Temperature Ratings

Operating fluid temperature	-40 to 100 °C (-40 to 212 °F)	- Note: With buna N seals
	-26 to 204 °C (-15 to 400 °F)	- Note: With fluorocarbon seals
	-54 to 107 °C (-65 to 225 °F)	- Note: With urethane seals
Storage temperature	-40 to 70 °C (-40 to 160 °F)	
Ambient temperature	-40 to 90 °C (-40 to 194 °F)	

Operating Parameters

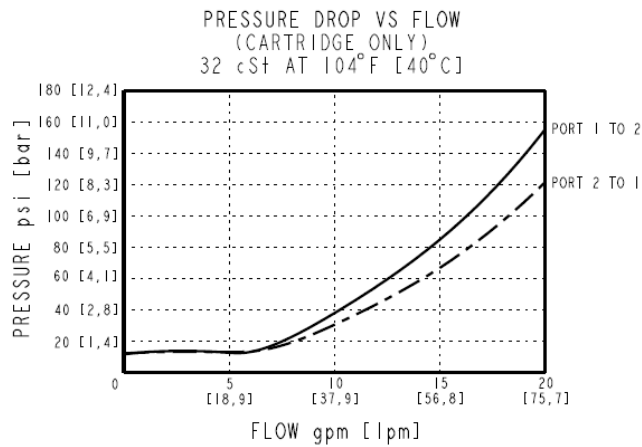
Fluids	Mineral based or synthetic hydraulic fluid with lubricating properties
Fluid viscosity range	7.4 to 420 cSt
Maximum operating contamination level	18/16/13 per ISO 4406



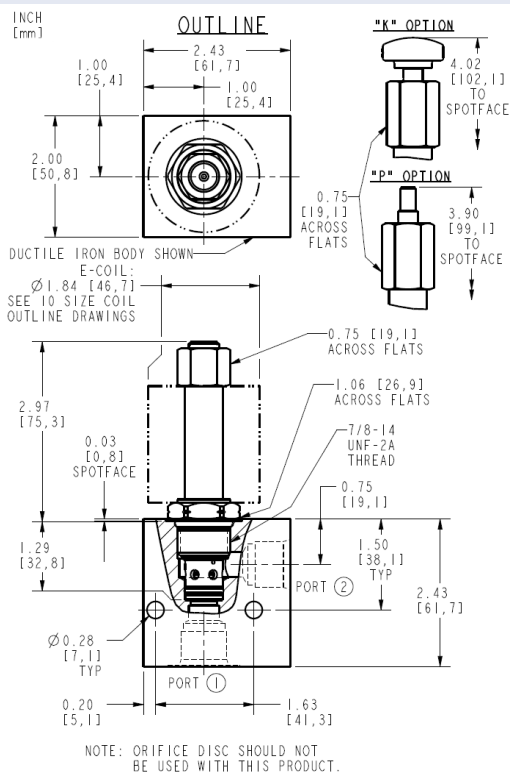
Properties

Unit weight	0.18 kg (0.4 lb)	
Internal wetted surface area	161 cm ² (24.9 in ²)	- Note: HSV10-29
	163 cm ² (25.2 in ²)	- Note: HSV10-29P/29K

Performance



Dimensions



ALL DIMENSIONS ARE FOR REFERENCE ONLY

Installation Specifications

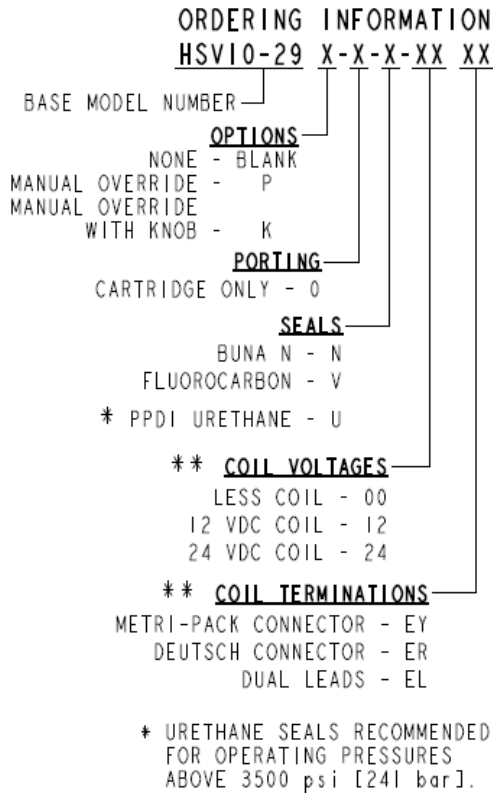
Cavity	HVC10-2	
Cartridge installation torque	102 to 115 N-m (75 to 85 ft-lb)	- Note: Steel/ductile iron cavity
	81 to 88 N-m (60 to 65 ft-lb)	- Note: Aluminum cavity
Orientation restriction	None	



Accessories

Seal kit	SK10-2N-M	- Note: Buna N
	SK10-2V-M	- Note: Fluorocarbon
	SK10-2U-0	- Note: Urethane
Housings		
Coils		

Order Code



POSITION	CODE	DESCRIPTION
		HSV10-A29AE-H-J-L-M
A		Position Sensor Option
A	29	Standard
A	P29A	Position Indicator Switch with Restricted Flow
E		Manual Override
E	BLANK	NONE
E	K	Momentary Push Override, Knob
E	P	Momentary Push Override, Button
H		Line Body
H	0	No Body
J		Seal
J	N	Buna-N
J	V	Fluorocarbon
J	U	PPDI Urethane
L		Coil
L	0	No Coil
L	10EL	10 VDC, E-Coil, Dual Lead Wires
L	10ER	10 VDC, E-Coil, Deutsch
L	10ER/Z	10 VDC, E-Coil, Deutsch with Zener Diode



POSITION	CODE	DESCRIPTION
L	12EG	12 VDC, E-Coil, DIN 43650
L	12EJ	12 VDC, E-Coil, AMP Jr.
L	12EL	12 VDC, E-Coil, Dual Lead Wires, 18 inches long
L	12EL/36	12 VDC, E-Coil, Dual Lead Wires, 36 inches long
L	12EL/W/Z	12 VDC, E-Coil, Dual Lead Wires with WeatherPak and Zener Diode
L	12EL/Z	12 VDC, E-Coil, Dual Lead Wires with Zener Diode
L	12ER	12 VDC, E-Coil, Deutsch
L	12ER/Z	12 VDC, E-Coil, Deutsch with Zener Diode
L	12EY	12 VDC, E-Coil, Metri-Pack 150
L	12EY/Z	12 VDC, E-Coil, Metri-Pack 150 with Zener Diode
L	20ER	20 VDC, E-Coil, Deutsch
L	24EG	24 VDC, E-Coil, DIN 43650
L	24EJ	24 VDC, E-Coil, AMP Jr.
L	24EL	24 VDC, E-Coil, Dual Lead Wires, 18 inches long
L	24EL/36	24 VDC, E-Coil, Dual Lead Wires, 36 inches long
L	24EL/W/Z	24 VDC, E-Coil, Dual Lead Wires with WeatherPak and Zener Diode
L	24ER	24 VDC, E-Coil, Deutsch
L	24ER/Z	24 VDC, E-Coil, Deutsch with Zener Diode
L	24EY	24 VDC, E-Coil, Metri-Pack 150
L	24EY/Z	24 VDC, E-Coil, Metri-Pack 150 with Zener Diode
M		Position Sensor Termination
M	BLANK	No Position Sensor
M	M3	Neutral Sense, M12-4P, Dual Output NC/NO
M	N3	Neutral Sense, DT04-4P, Dual Output NC/NO