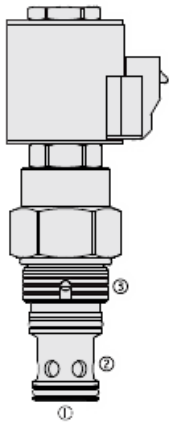
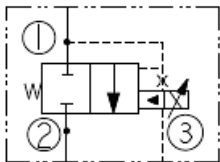




## Overview



### Symbol



### Description

HTS16-S34F is screw-in, cartridge style, proportional pressure relief valve. Spool-type main stage is combined with a single stage, poppet style, pressure relieving proportional valve. The regulated pressure is inversely proportional to the electrical current input.

### Operation

The HTS16-S34F is a spring-biased valve that blocks flow from port 1 to port 2 until pressure sufficient to open the valve by overcoming the preset induced by pilot spring force is present at port 1. With no current applied, the valve will relieve flow to maintain pressure set at hf factory.

### Features

- Multifunction proportional relief valve with vented logic element
- Low pressure drop.
- Rated for high pressure operation
- Pressure can be set at factory at range between 55.2 to 345 bar (800 to 5000 psi)
- High flow rating
- Port 2 can be pressurized for logic applications
- Corrosion-resistant plating
- 12- or 24-volt environmental coils
- All HyPerformance products are tested to the rigorous standards of the NFPA specification T2.6.1.
- All HyPerformance valves are tested at a verification level of 90% and an assurance of 99%.

## Ratings

### Pressure Ratings

Pressure rating	413 bar (6000 psi)	- <b>Note:</b> Port 1
	413 bar (6000 psi)	- <b>Note:</b> Port 2
	103 bar (1500 psi)	- <b>Note:</b> Port 3
Proof pressure	448 bar (6500 psi)	- <b>Note:</b> Port 1
	448 bar (6500 psi)	- <b>Note:</b> Port 2
	207 bar (3000 psi)	- <b>Note:</b> Port 3
Burst pressure	861.8 bar (12500 psi)	
Pressure differential at maximum current	8.27 bar (120 psi)	
Pressure setting	55.2 to 345 bar (800 to 5000 psi)	- <b>Note:</b> Valve CAN be set in hf factory to any pressure in this range

### Flow Ratings

Flow rating	200 lpm (52 gpm)
-------------	------------------

### Temperature Ratings

Operating fluid temperature	-40 to 100 °C (-40 to 212 °F)	- <b>Note:</b> With /buna-n seals
	-26 to 204 °C (-15 to 400 °F)	- <b>Note:</b> With fluorocarbon seals
	-54 to 107 °C (-65 to 225 °F)	- <b>Note:</b> With urethane seals
Storage temperature	-40 to 70 °C (-40 to 160 °F)	
Ambient temperature	-40 to 70 °C (-40 to 160 °F)	

## Operating Parameters

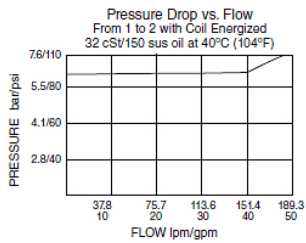
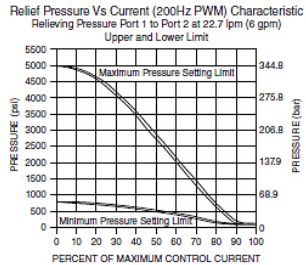
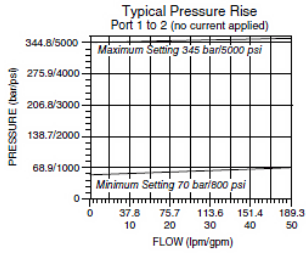
Fluids	Mineral based or synthetic with lubricating properties
Fluid viscosity range	7.4 to 420 cSt
Maximum operating contamination level	18/16/13 per ISO 4406

## Properties

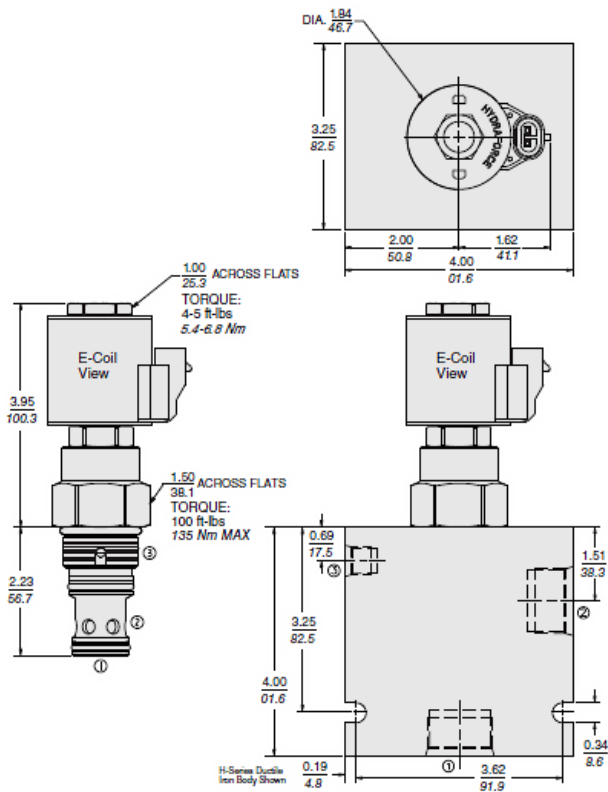
Unit weight	0.58 kg (1.27 lb)
Internal wetted surface area	466 cm <sup>2</sup> (72.2 in <sup>2</sup> )



## Performance



## Dimensions



## Installation Specifications

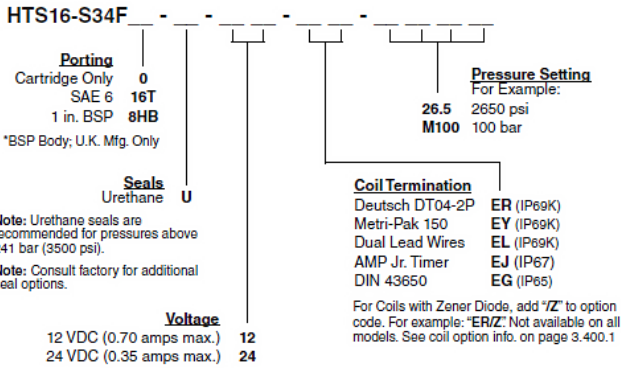
Cavity	HVC16-s3
Cartridge installation torque	135 N-m (100 ft-lb)
Coil nut torque	5.4 to 6.8 N-m (4 to 5 ft-lb)
Orientation restriction	None



Accessories

Seal kit SK16-S3X-BB (x = N  
V seal option)  
SK16-S3U-OO - **Note:** U seal option

Order Code



Model Options

HTS16-S34F-H-J-L-S

H Line Body

CODE	DESCRIPTION
0	No Body
16HT	Ductile Iron SAE 16

J Seal

CODE	DESCRIPTION
N	Buna-N
V	Fluorocarbon
U	PPDI Urethane

L Coil

CODE	DESCRIPTION
0	No Coil
10EL	10 VDC, E-Coil, Dual Lead Wires
10ER	10 VDC, E-Coil, Deutsch
10ER/Z	10 VDC, E-Coil, Deutsch with Zener Diode
12EG	12 VDC, E-Coil, DIN 43650
12EJ	12 VDC, E-Coil, AMP Jr.
12EL	12 VDC, E-Coil, Dual Lead Wires, 18 inches long
12EL/36	12 VDC, E-Coil, Dual Lead Wires, 36 inches long
12EL/W/Z	12 VDC, E-Coil, Dual Lead Wires with WeatherPak and Zener Diode
12EL/Z	12 VDC, E-Coil, Dual Lead Wires with Zener Diode
12ER	12 VDC, E-Coil, Deutsch
12ER/Z	12 VDC, E-Coil, Deutsch with Zener Diode
12EY	12 VDC, E-Coil, Metri-Pack 150
12EY/Z	12 VDC, E-Coil, Metri-Pack 150 with Zener Diode
20ER	20 VDC, E-Coil, Deutsch
24EG	24 VDC, E-Coil, DIN 43650



CODE	DESCRIPTION
24EJ	24 VDC, E-Coil, AMP Jr.
24EL	24 VDC, E-Coil, Dual Lead Wires, 18 inches long
24EL/36	24 VDC, E-Coil, Dual Lead Wires, 36 inches long
24EL/W/Z	24 VDC, E-Coil, Dual Lead Wires with WeatherPak and Zener Diode
24ER	24 VDC, E-Coil, Deutsch
24ER/Z	24 VDC, E-Coil, Deutsch with Zener Diode
24EY	24 VDC, E-Coil, Metri-Pack 150
24EY/Z	24 VDC, E-Coil, Metri-Pack 150 with Zener Diode

### S Pressure Setting

CODE	DESCRIPTION
MXXX	Pressure Setting in XXX bar
XX	Pressure Setting in XX psi (x 100)