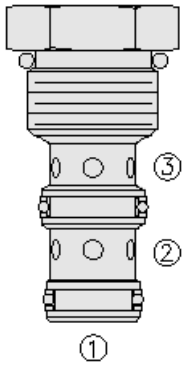




Overview



Description

A load shuttle, screw-in, cartridge style, hydraulic check valve, for use in blocking circuits where a priority of flow/direction is given to a higher pressure circuit over a lower one

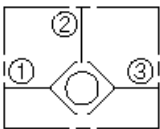
Operation

The LS10-30 will allow flow from the higher pressure port 1 or 3 to port 2

Features

- Rapid response to load direction changes. Industry-common cavity.

Symbol



Ratings

Pressure Ratings

Pressure rating 241 bar (3500 psi)

Flow Ratings

Flow rating See performance graph
Maximum internal leakage 0.25 ml/min (5 drops/min) - **Note:** At 207 bar (3000 psi)

Temperature Ratings

Operating fluid temperature -40 to 100 °C (-40 to 212 °F) - **Note:** With buna N seals
-26 to 204 °C (-15 to 400 °F) - **Note:** With fluorocarbon seals
-54 to 107 °C (-65 to 225 °F) - **Note:** With polyurethane seals
Storage temperature -40 to 70 °C (-40 to 160 °F)
Ambient temperature -40 to 90 °C (-40 to 194 °F)

Other Ratings

Corrosion protection 960 hr salt spray per ASTM b117 (gls10-30)

Operating Parameters

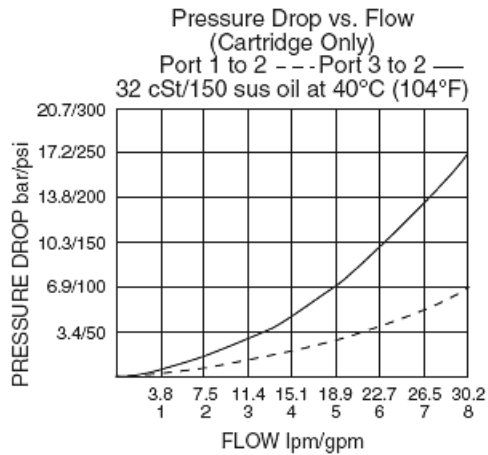
Fluids Mineral based or synthetic hydraulic fluid with lubricating properties
Fluid viscosity range 7.4 to 420 cSt
Maximum operating contamination level 20/18/14 per ISO 4406

Properties

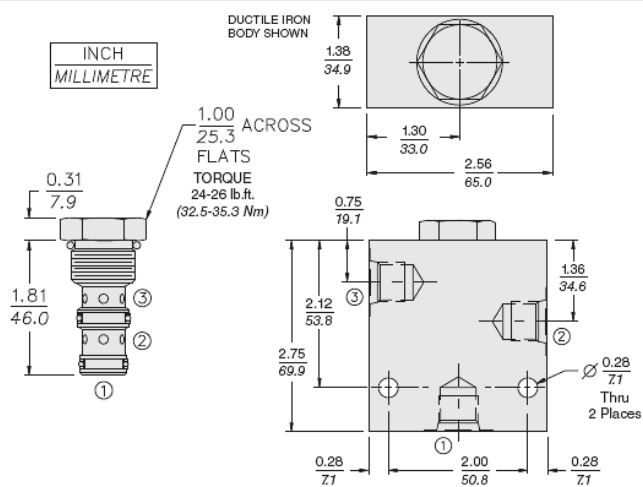
Unit weight 0.09 kg (0.2 lb)
Internal wetted surface area 88 cm² (13.7 in²)



Performance



Dimensions



Materials

Materials

Cartridge: Weight: 0.08 kg (0.18 lb); Steel with Zinc-plated exposed surfaces; Buna N O-rings and polyester elastomer back-ups standard.

Standard Ported Body : Weight: 0.36 kg (0.80 lb); Anodized high-strength aluminum alloy, rated to 207 bar (3000 psi). Ductile iron bodies available; dimensions may differ.

Installation Specifications

Cavity	VC10-3
Cartridge installation torque	32.6 to 35.4 N-m (24 to 26 ft-lb)
Maximum allowable torque	67.8 N-m (50 ft-lb)
Orientation restriction	None

Accessories

Seal kit	SK10-3X-MM	- Note: X = seal option
Housings		



Order Code

POSITION	CODE	DESCRIPTION
		LS10-30-H-J
H		Line Body
H	0	No Body
H	6T	Aluminum SAE 6
H	8T	Aluminum SAE 8
H	6TD	Ductile Iron SAE 6
H	8TD	Ductile Iron SAE 8
H	3B	Aluminum BSPP 3/8" (3)
H	3BD	Ductile Iron BSPP 3/8" (3)
J		Seal
J	N	Buna-N
J	V	Fluorocarbon
J	P	Polyurethane
J	U	PPDI Urethane

