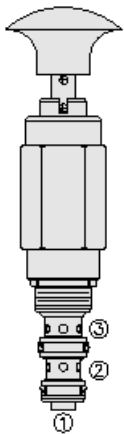




## Overview



### Description

The MP08-30X is a 3-way, manual pull to shift, spring return, directional hydraulic cartridge valve.

### Operation

In its neutral position the valve directs flow from port 2 to 1, while blocking port 3. In the actuated (pulled) position it directs flow from port 3 to 2, blocking port 1. The spring chamber is vented at port 1. When released the valve returns to its neutral position.

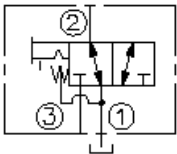
### Operation

A unique pull and rotate feature for holding the positive actuated position is optional. A 90° rotation is required to lock the valve in the actuated (pulled) position. The valve resets to spring return (neutral) position with a slight pull and a 90° turn from the locked actuated position.

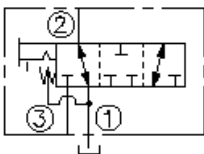
**note:** 1. Series operation is prohibited due to the tank port (port 1) pressure rating.

**note:** 2. Pressure at port 1 will directly act on the spool and spring. Port 1 is intended to be a tank port only.

### Symbol



### TRANSITION:



### Features

- Hardened spool and cage for long life.
- Pressure to 14 bar (200 psi) on port 1.
- Optional rotational lock position.
- Compact, industry-common cavity.

## Ratings

### Pressure Ratings

Pressure rating	345 bar (5000 psi)	- <b>Note:</b> Port 3 to 2
	14 bar (200 psi)	- <b>Note:</b> Port 1 maximum

### Flow Ratings

Flow rating	See performance graph
Maximum internal leakage	82 ml/min (5 in <sup>3</sup> /min) - <b>Note:</b> At 207 bar (3000 psi)

### Temperature Ratings

Operating fluid temperature	-40 to 100 °C (-40 to 212 °F)	- <b>Note:</b> With buna N seals
	-26 to 204 °C (-15 to 400 °F)	- <b>Note:</b> With fluorocarbon seals
	-54 to 107 °C (-65 to 225 °F)	- <b>Note:</b> With urethane seals
Storage temperature	-40 to 70 °C (-40 to 158 °F)	
Ambient temperature	-40 to 90 °C (-40 to 194 °F)	

## Operating Parameters

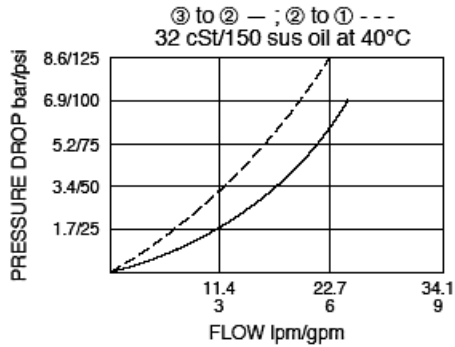
Fluids	Mineral based or synthetic hydraulic fluid with lubricating properties
Fluid viscosity range	7.4 to 420 cSt
Maximum operating contamination level	20/18/14 per ISO 4406



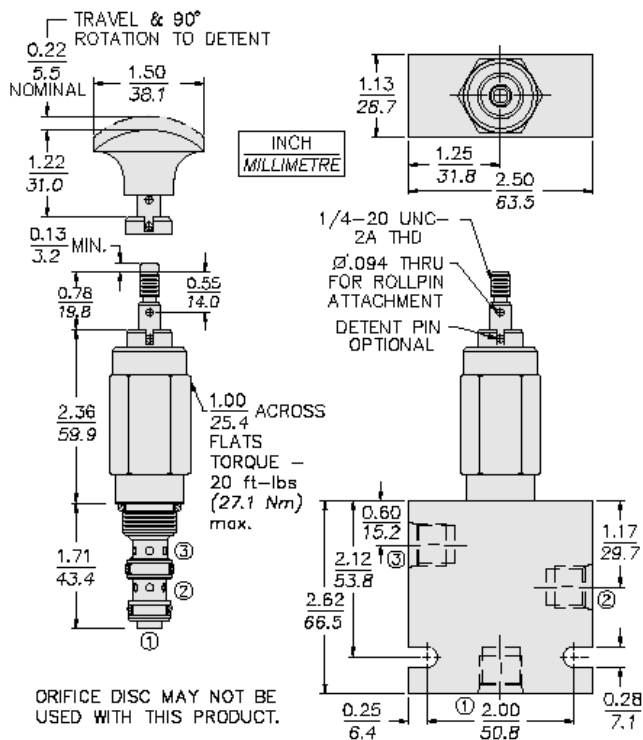
## Properties

Mechanical pull effort required	7.7 kg (17 lb) 9.5 kg (21 lb) 10.0 kg (22 lb)	- <b>Note:</b> Installed - <b>Note:</b> To start to open 2 to 3 - <b>Note:</b> To detent
Unit weight	0.23 kg (0.50 lb)	
Internal wetted surface area	148 cm <sup>2</sup> (23 in <sup>2</sup> )	

## Performance



## Dimensions



## Installation Specifications

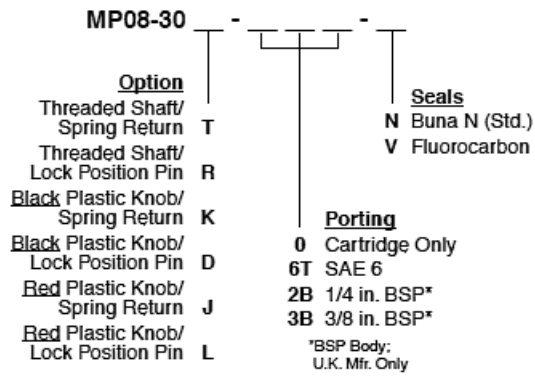
Cavity	VC08-3	
Cartridge installation torque	25.8 to 28.5 N-m (19 to 21 ft-lb) 32.5 to 35.3 N-m (24 to 26 ft-lb)	- <b>Note:</b> For valves with seal options: buna n, fluorocarbon - <b>Note:</b> For valves with seal option: urethane
Orientation restriction	None	

## Accessories

Seal kit	SK08-3N-MT SK08-3V-MT SK08-3U-OO	- <b>Note:</b> Buna N - <b>Note:</b> Fluorocarbon - <b>Note:</b> Urethane
----------	--	---



## Order Code



### Model Options

#### MP08-30F-H-J

#### F Adjustment

CODE	DESCRIPTION
D	Black Plastic Knob with Lock Position Pin
J	Red Plastic Knob with Spring Return
K	Black Plastic Knob with Spring Return
L	Red Plastic Knob with Lock Position Pin
R	Threaded Shaft with Lock Position Pin
T	Threaded Shaft with Spring Return

#### H Line Body

CODE	DESCRIPTION
0	No Body
4T	Aluminum SAE 4
6T	Aluminum SAE 6
6TD	Ductile Iron SAE 6
8TD	Ductile Iron SAE 8
3B	Aluminum BSPP 3/8" (3)
3BD	Ductile Iron BSPP 3/8" (3)

#### J Seal

CODE	DESCRIPTION
N	Buna-N
V	Fluorocarbon
P	Polyurethane
U	PPDI Urethane