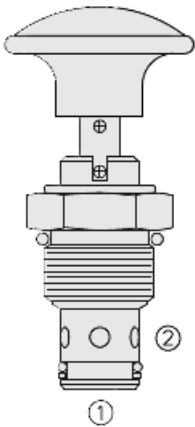




Overview



Description

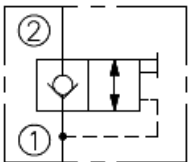
The MP10-21 is a 2-way, manual pull to open and push to close, screw-in cartridge style, directional hydraulic valve.

NOTE: Port 1 is intended to be a tank port only.

Features

- Hardened seat for long life and low leakage.
- Industry-common cavity.

Symbol



Ratings

Pressure Ratings

Pressure rating 207 bar (3000 psi)

Flow Ratings

Flow rating 56.8 lpm (15 gpm)

Maximum internal leakage 0.25 ml/min (5 drops/min) - **Note:** At 207 bar (3000 psi)

Temperature Ratings

Operating fluid temperature	-40 to 100 °C (-40 to 212 °F)	- Note: With buna N seals
	-26 to 204 °C (-15 to 400 °F)	- Note: With viton seals
	-54 to 107 °C (-65 to 225 °F)	- Note: With polyurethane seals
Storage temperature	-40 to 70 °C (-40 to 160 °F)	
Ambient temperature	-40 to 70 °C (-40 to 160 °F)	

Operating Parameters

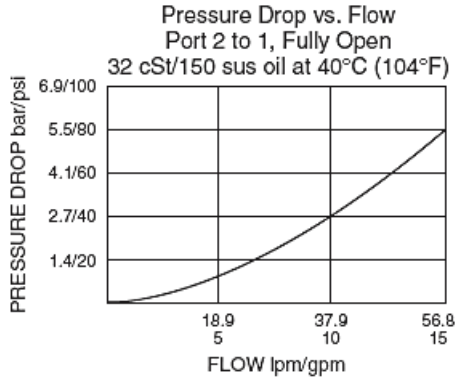
Fluids	Mineral based or synthetic hydraulic fluid with lubricating properties
Fluid viscosity range	7.4 to 420 cSt
Maximum operating contamination level	20/18/14 per ISO 4406

Properties

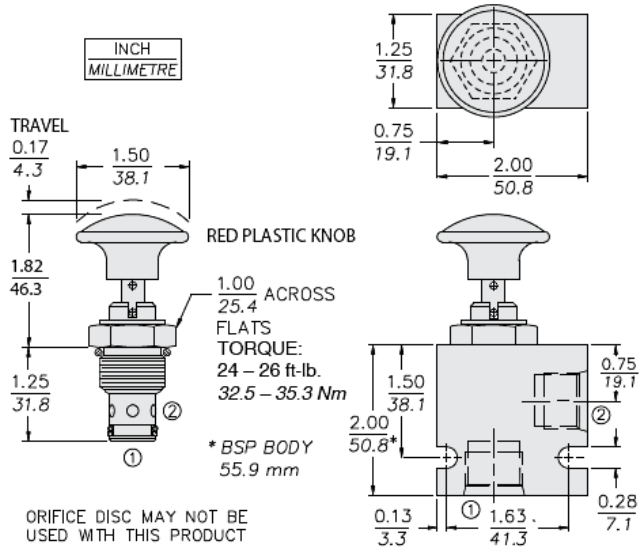
Unit weight	0.11 kg (0.25 lb)
Internal wetted surface area	83.2 cm ² (12.9 in ²)



Performance



Dimensions



Installation Specifications

Cavity	VC10-2
Cartridge installation torque	32.5 to 35.3 N-m (24 to 26 ft-lb)
Orientation restriction	None

Accessories

Seal kit	SK10-2X-T	- Note: X = seal option
----------	-----------	--------------------------------



Order Code

MP10-21 - -

<u>Porting</u>		<u>Seals</u>	
Cartridge Only	0	N	Buna N (Std.)
SAE 8	8T	V	Fluorocarbon
1/2 in. BSP*	4B	P	Polyurethane

*BSP Body; U.K. Mfr. Only

Model Options

MP10-21F-H-J

F Adjustment

CODE	DESCRIPTION
BLANK	Red Plastic Knob with Spring Return
K	Black Plastic Knob with Spring Return
T	Threaded Shaft with Spring Return

H Line Body

CODE	DESCRIPTION
0	No Body
6T	Aluminum SAE 6
8T	Aluminum SAE 8
6TD	Ductile Iron SAE 6
8TD	Ductile Iron SAE 8
2B	Aluminum BSPP 1/4" (2)
3B	Aluminum BSPP 3/8" (3)
4B	Aluminum BSPP 1/2" (4)
4BD	Ductile Iron BSPP 1/2" (4)

J Seal

CODE	DESCRIPTION
N	Buna-N
V	Fluorocarbon
P	Polyurethane
U	PPDI Urethane