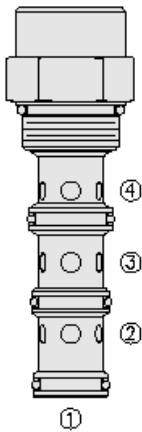




## Overview



### Description

The PD16-44 is a screw-in, cartridge style, pilot operated, spool-type hydraulic directional valve.

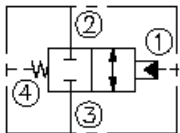
### Operation

In the neutral position the valve blocks flow from port 2 to 3. On remote pilot signal at port 1, the valve's spool shifts to allow flow from port 2 to 3 bidirectionally. The spring chamber is vented to port 4 which is internally o-ring sealed from the cartridge flow paths. Pressure on port 4 will directly (1:1) affect the pilot pressure required and must be added to the bias spring value.

### Features

- Hardened spool and cage for long life.
- Optional sealed pilot
- Industry-common cavity.

### Symbol



## Ratings

### Pressure Ratings

Pressure rating 241 bar (3500 psi)

### Temperature Ratings

Operating fluid temperature -40 to 120 °C (-40 to 248 °F)

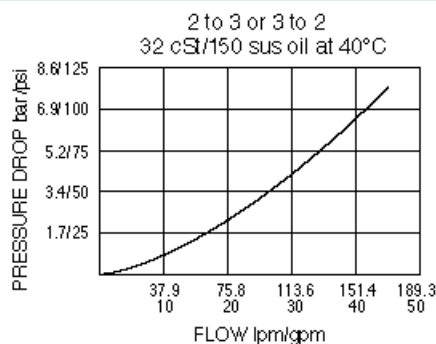
### Flow Ratings

Maximum internal leakage 245 ml/min (15 in<sup>3</sup>/min) - **Note:** At 207 bar (3000 psi)  
0 lpm (0 gpm) - **Note:** From port 1 to 2 with sealed spool

## Properties

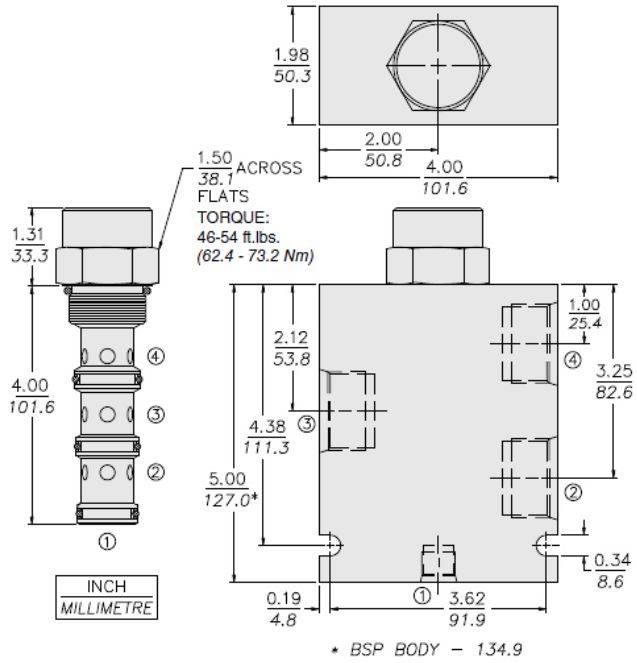
Materials steel with work surfaces hardened, external surfaces are zinc plated  
Unit weight 0.52 kg (1.15 lb)

## Performance





## Dimensions



## Installation Specifications

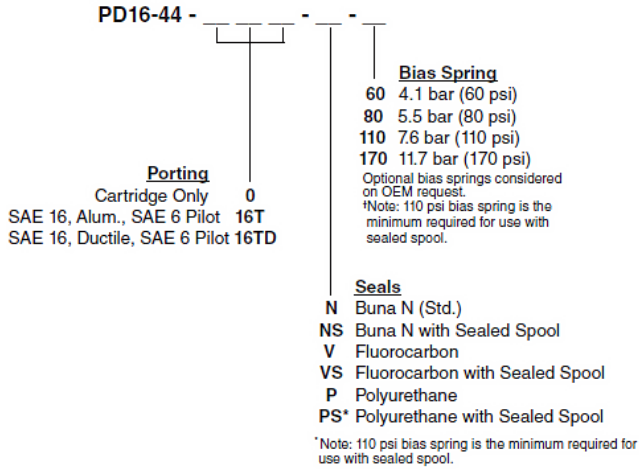
Cavity	VC12-S6
Cartridge installation torque	62.4 to 73.2 N-m (46 to 54 ft-lb)

## Accessories

Seal kit	SK16-4N-MMM	- <b>Note:</b> Buna N
	SK16-4V-MMM	- <b>Note:</b> Viton
	SK16-4P-MMM	- <b>Note:</b> Polyurethane



Order Code



Model Options

PD16-44-H-J-R

H Line Body

CODE	DESCRIPTION
0	No Body
16T	Aluminum SAE 16
12TD	Ductile Iron SAE 12
16TD	Ductile Iron SAE 16

J Seal

CODE	DESCRIPTION
N	Buna-N
NS	Buna-N with a Sealed Spool
V	Fluorocarbon
VS	Fluorocarbon with a Sealed Spool
P	Polyurethane
PS	Polyurethane with a Sealed Spool
U	PPDI Urethane
US	PPDI Urethane with a Sealed Spool

R Spring

CODE	DESCRIPTION
60	60 psi Bias Spring
80	80 psi Bias Spring
110	110 psi Bias Spring
170	170 psi Bias Spring