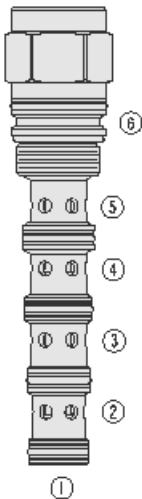




Overview



Description

The PD16-S67D is a screw-in, cartridge style, pilot operated, spool-type, hydraulic directional valve.

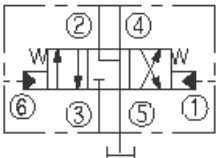
Operation

In the neutral position flow is allowed between ports 2, 4 and 5. On remote pilot signal at port 1 the valve's spool shifts to allow flow between ports 3 and 4, and between ports 2 and 5. On remote pilot signal at port 6 the valve's spool shifts to allow flow between ports 3 and 5.

Features

- Hardened spool and cage for long life.
- 110 and 170 psi bias springs available.

Symbol



Ratings

Pressure Ratings

Pressure rating 241 bar (3500 psi)

Flow Ratings

Flow rating See performance graph

Maximum internal leakage 164 ml/min (10 in³/min) - **Note:** At 241 bar (3500 psi)

Temperature Ratings

| | | |
|-----------------------------|-------------------------------|--|
| Operating fluid temperature | -40 to 100 °C (-40 to 212 °F) | - Note: With buna N seals |
| | -26 to 204 °C (-15 to 400 °F) | - Note: With fluorocarbon seals |
| | -54 to 107 °C (-65 to 225 °F) | - Note: With polyurethane seals |
| Storage temperature | -40 to 70 °C (-40 to 160 °F) | |
| Ambient temperature | -40 to 90 °C (-40 to 194 °F) | |

Operating Parameters

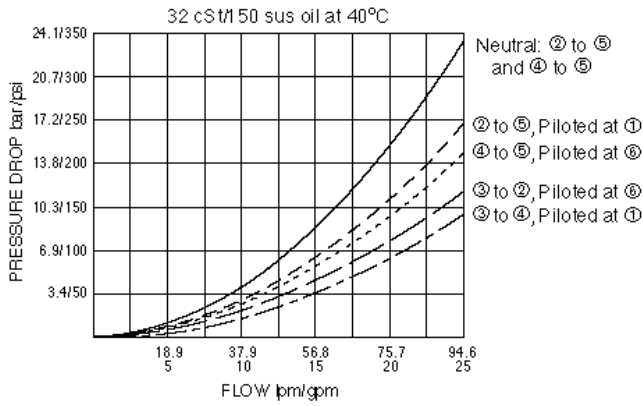
| | |
|---------------------------------------|--|
| Fluids | Mineral based or synthetic hydraulic fluid with lubricating properties |
| Fluid viscosity range | 7.4 to 420 cSt |
| Maximum operating contamination level | 20/18/14 per ISO 4406 |

Properties

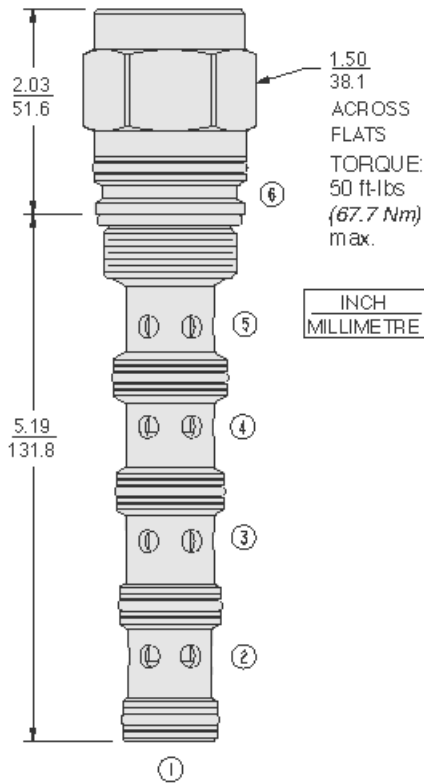
| | |
|------------------------------|---|
| Unit weight | 0.83 kg (1.84 lb) |
| Internal wetted surface area | 623 cm ² (96.6 in ²) |



Performance



Dimensions



Installation Specifications

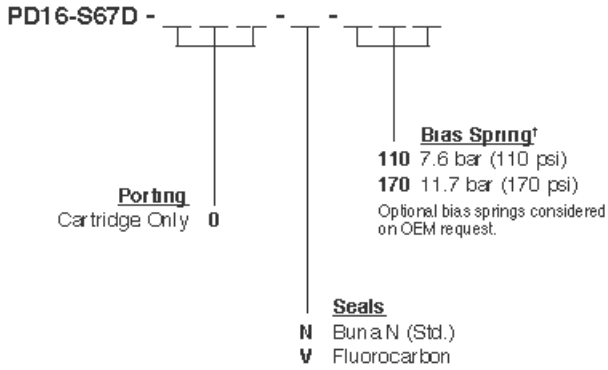
| | |
|-------------------------------|-----------------------------------|
| Cavity | VC16-S6 |
| Cartridge installation torque | 62.4 to 73.2 N-m (46 to 54 ft-lb) |
| Maximum allowable torque | 136 N-m (100 ft-lb) |
| Orientation restriction | None |

Accessories

| | | |
|----------|----------------|--------------------------------|
| Seal kit | SK16-S6X-BMMMM | - Note: X = seal option |
|----------|----------------|--------------------------------|



Order Code



Model Options

PD16-S67D-H-J-R

H Line Body

| CODE | DESCRIPTION |
|------|-------------|
| 0 | No Body |

J Seal

| CODE | DESCRIPTION |
|------|-----------------------------------|
| N | Buna-N |
| NS | Buna-N with a Sealed Spool |
| V | Fluorocarbon |
| VS | Fluorocarbon with a Sealed Spool |
| P | Polyurethane |
| PS | Polyurethane with a Sealed Spool |
| U | PPDI Urethane |
| US | PPDI Urethane with a Sealed Spool |

R Spring

| CODE | DESCRIPTION |
|------|---------------------|
| 110 | 110 psi Bias Spring |
| 170 | 170 psi Bias Spring |