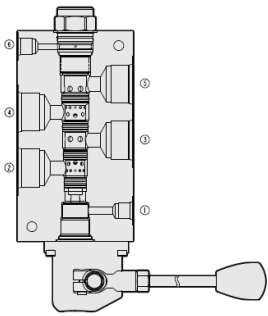
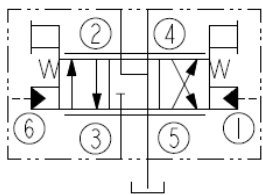




Overview



Symbol



Description

The PE12-S67DM is a screw-in, cartridge-style, proportional, spring centered spool, pilot operated hydraulic directional valve for use with a manual operator.

Operation

In neutral position inlet port 3 is blocked and ports 2, 4 and 5 are communicating with each other. On remote pilot signal at port 1 the valve's spool shifts proportionally to the applied pilot pressure to allow flow from port 3 to port 4, thru a load, such as hydraulic cylinder or motor, and then from port 2 to port 5 and to tank. On remote pilot signal at port 6 the valve's spool shifts proportionally to the applied pressure in the opposite direction, thus reversing the flow direction. The valve's spool is symmetrical providing meter-in and meter-out control. When used with the manual operator the valve can be operated manually in both directions without pilot pressure.

Features

- Control function proportionally with pilot signal or operate manually.
- Hardened spool and cage for long life.
- Excellent symmetrical (meter-in/meter-out) characteristics.
- Good Linearity.

Ratings

Pressure Ratings

Pressure rating	345 bar (5000 psi)	- Note: Port 3
	241 bar (3500 psi)	- Note: Ports 2, 4
	27.6 bar (400 psi)	- Note: Ports 1, 6

Flow Ratings

Flow rating	45.4 lpm (12 gpm)	
Maximum internal leakage	164 ml/min (10 in ³ /min)	- Note: At 207 bar (3000 psi)

Temperature Ratings

Operating fluid temperature	-40 to 100 °C (-40 to 212 °F)	- Note: With buna N seals
	-26 to 204 °C (-15 to 400 °F)	- Note: With fluorocarbon seals
	-54 to 107 °C (-65 to 225 °F)	- Note: With polyurethane seals
Storage temperature	-40 to 70 °C (-40 to 160 °F)	
Ambient temperature	-40 to 90 °C (-40 to 194 °F)	

Operating Parameters

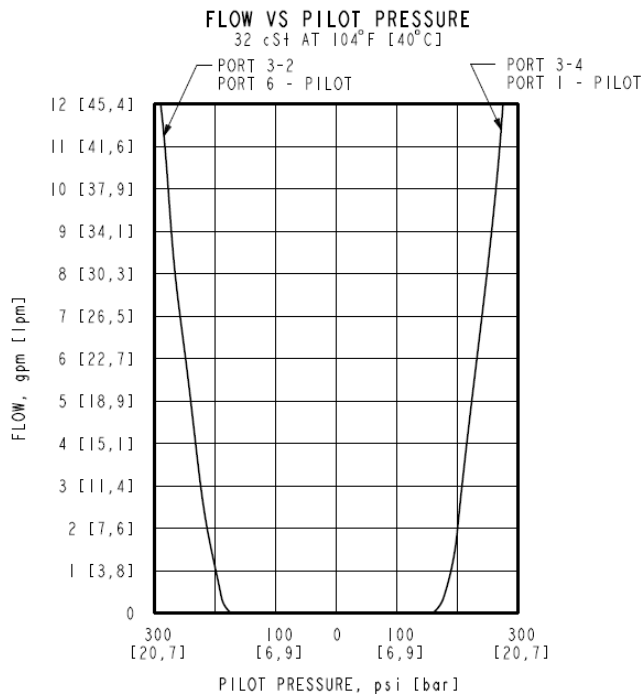
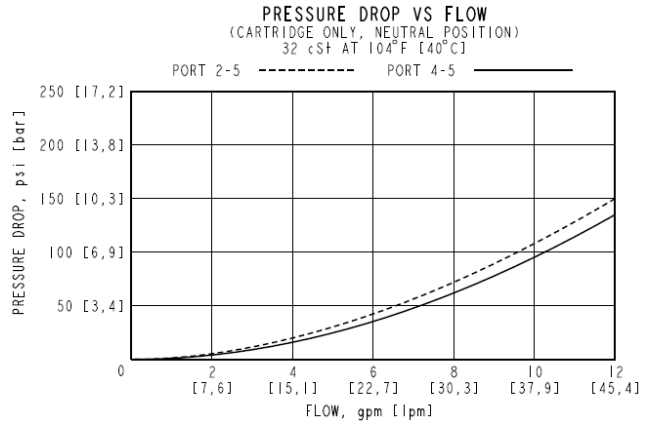
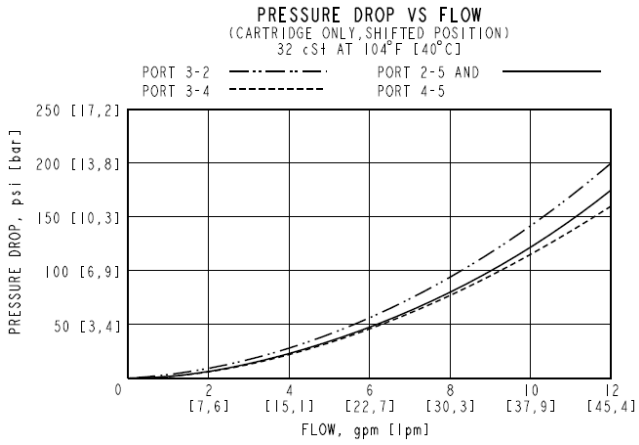
Fluids	Mineral based or synthetic hydraulic fluid with lubricating properties
Fluid viscosity range	7.4 to 420 cSt
Maximum operating contamination level	18/16/13 per ISO 4406

Properties

Displacement per stroke	0.65 cm ³ (0.039 in ³)	- Note: per stroke direction
Unit weight	0.44 kg (0.98 lb)	
Internal wetted surface area	415 cm ² (64.3 in ²)	

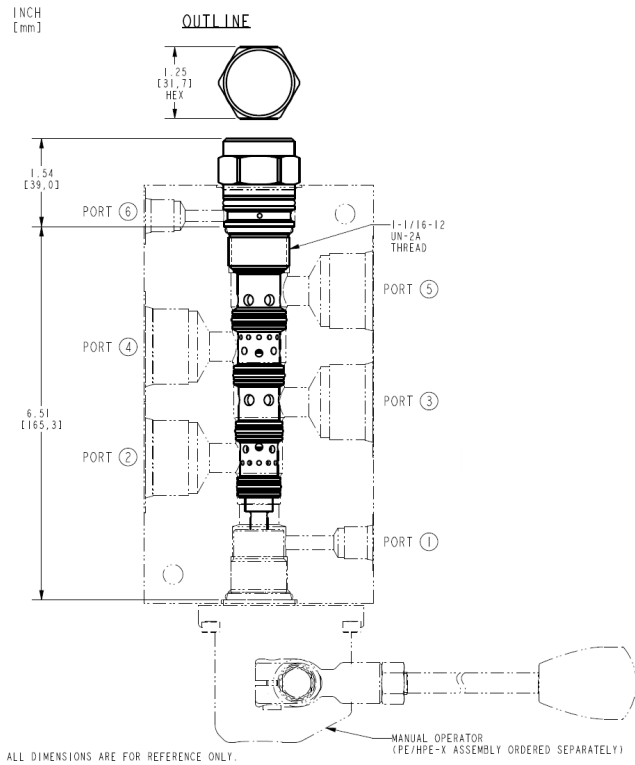


Performance





Dimensions



Installation Specifications

Cavity	VC12-S6M
Cartridge installation torque	44.7 to 50.2 N-m (33 to 37 ft-lb)
Maximum allowable torque	67.8 N-m (50 ft-lb)
Orientation restriction	None
Installation instruction	

Accessories

Seal kit	SK12-S6X-BMMMM - Note: X = seal option O-ring P/N: 6004912
Manual Operator	Order Code: PE/HPE-X - Note: X = handle position A or B
Handle	Part number: 4213260 (sold separately) - Note: 200 mm (8 in) handle with knob



Order Code

ORDERING INFORMATION

PE12-S67DM-0-X

BASE MODEL NUMBER

PORTING

CARTRIDGE ONLY - 0

SEAL OPTION

BUNA N - N

FLUOROCARON - V

* POLYURETHANE - P

* POLYURETHANE SEALS ARE RECOMMENDED FOR 5000 psi [345 bar] OPERATING PRESSURE.

POSITION	CODE	DESCRIPTION
		PE12-S67DM-H-J
H		Line Body
H	0	No Body
J		Seal
J	N	Buna-N
J	V	Fluorocarbon
J	P	Polyurethane
J	U	PPDI Urethane