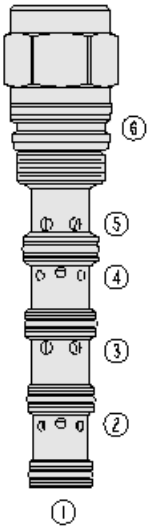




Overview



Description

The PE16-S67C is a screw-in, cartridge style, proportional, spring centered spool, pilot operated hydraulic directional valve.

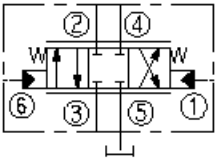
Operation

In neutral position all ports are blocked. On remote pilot signal at port 1 the valve's spool shifts proportionally to the applied pilot pressure to allow flow from port 3 to port 4, thru a load, such as hydraulic cylinder or motor, and then from port 2 to port 5 and to tank. On remote pilot signal at port 6 the valve's spool shifts proportionally to the applied pressure in opposite direction thus reversing the flow direction. The valve's spool is symmetrical providing meter-in and meter-out control.

Features

- Hardened spool and cage for long life.
- Cost-effective cavity.
- Excellent metering characteristics.
- Good Linearity.

Symbol



Ratings

Pressure Ratings

Pressure rating	345 bar (5000 psi)	- Note: Port 3
	241 bar (3500 psi)	- Note: Ports 2, 4
	27.6 bar (400 psi)	- Note: Ports 1, 6

Flow Ratings

Flow rating	90.85 lpm (24 gpm)	
Maximum internal leakage	295 ml/min (18 in ³ /min)	- Note: At 207 bar (3000 psi)

Temperature Ratings

Operating fluid temperature	-40 to 100 °C (-40 to 212 °F)	- Note: With buna N seals
	-26 to 204 °C (-15 to 400 °F)	- Note: With viton seals
	-54 to 107 °C (-65 to 225 °F)	- Note: With polyurethane seals
Storage temperature	-40 to 70 °C (-40 to 160 °F)	
Ambient temperature	-54 to 90 °C (-40 to 194 °F)	

Operating Parameters

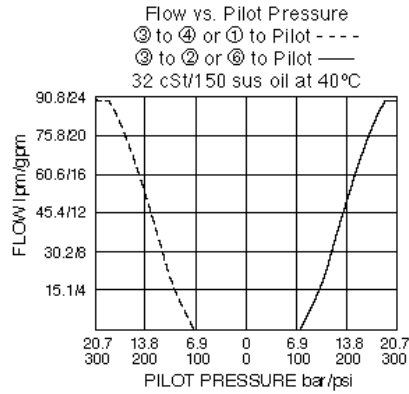
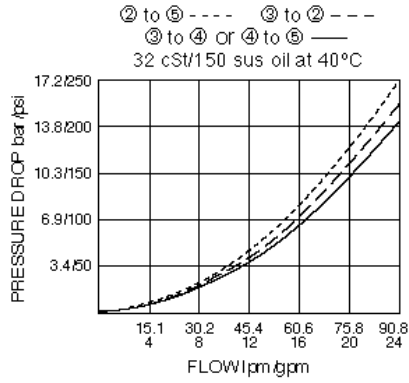
Fluids	Mineral based or synthetic hydraulic fluid with lubricating properties	
Fluid viscosity range	7.4 to 420 cSt	
Maximum operating contamination level	18/16/13 per ISO 4406	

Properties

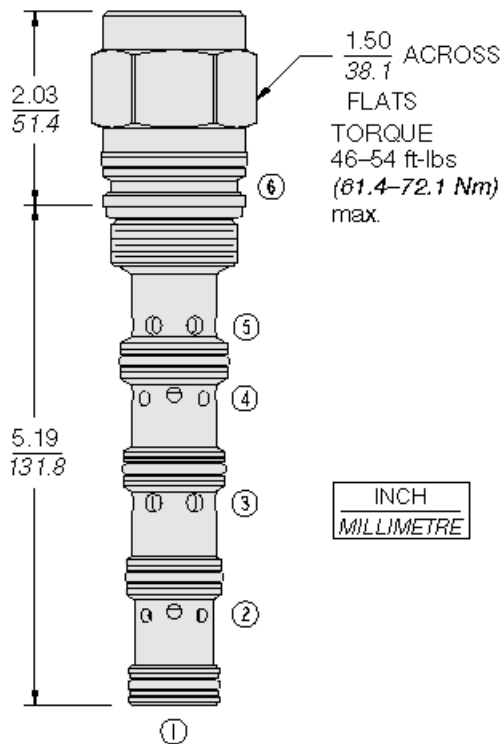
Displacement per stroke	0.71 cm ³ (0.043 in ³)	- Note: per stroke direction
Unit weight	0.77 kg (1.7 lb)	
Internal wetted surface area	585 cm ² (90.7 in ²)	



Performance



Dimensions



Installation Specifications

Cavity	VC16-S6
Cartridge installation torque	62.4 to 73.2 N-m (46 to 54 ft-lb)
Orientation restriction	None



Accessories

Seal kit SK16-S6X-BMMMM - **Note:** X = seal option

Order Code

PE16-S67C - -

Porting
Cartridge Only 0

Seals
N Buna-N (Std.)
P Polyurethane (for pressures over 240 bar /3500 psi)
V Fluorocarbon

Model Options

PE16-S67C-H-J

H Line Body

CODE	DESCRIPTION
0	No Body

J Seal

CODE	DESCRIPTION
N	Buna-N
V	Fluorocarbon
P	Polyurethane
U	PPDI Urethane