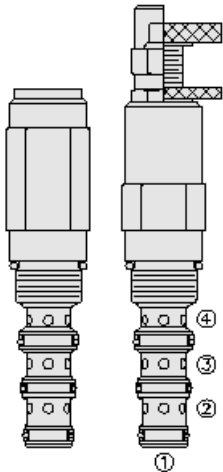




Overview



Description

The PS10-40X is a spool type, direct acting, adjustable, external pilot hydraulic sequence valve with externally vented spring chamber

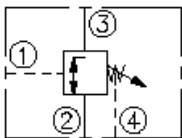
Operation

The PS10-40X blocks flow between ports 2 and 3 bidirectionally. The spring chamber is constantly vented at port 4. On attainment of the valve pressure setting at port 1, the spool shifts to open ports 2 and port 3 bidirectionally. Pressure at port 4 is additive to the spring setting at a 1:1 ratio

Features

- Adjustments cannot be backed out of the valve.
- Adjustments prohibit springs from going solid.
- Optional spring ranges to 151.7 bar (2200 psi).
- Hardened precision spool and cage for long life.
- Industry-common size.

Symbol



Ratings

Pressure Ratings

Pressure rating	206.8 bar (3000 psi)	- Note: Ports 1, 2, 3
	68.9 bar (1000 psi)	- Note: Port 4
Proof pressure	482.6 bar (7000 psi)	
Burst pressure	965.3 bar (14000 psi)	

Flow Ratings

Flow rating	37.8 lpm (10 gpm)	
Maximum internal leakage	82 ml/min (5 in ³ /min)	- Note: Max to 85% of pressure setting

Temperature Ratings

Operating fluid temperature	-40 to 100 °C (-40 to 212 °F)	- Note: With buna N seals
	-26 to 204 °C (-15 to 400 °F)	- Note: With fluorocarbon seals
	-54 to 107 °C (-65 to 225 °F)	- Note: With polyurethane seals with urethane seals
Storage temperature	-40 to 70 °C (-40 to 160 °F)	
Ambient temperature	-40 to 70 °C (-40 to 160 °F)	

Other Ratings

Corrosion protection	(gps10-40x) 960 hr salt spray per ASTM b117
----------------------	---

Operating Parameters

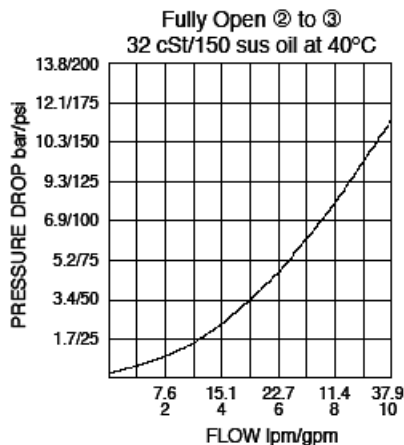
Fluids	Mineral based or synthetic hydraulic fluid with lubricating properties
Fluid viscosity range	7.4 to 420 cSt
Maximum operating contamination level	20/18/14 per ISO 4406



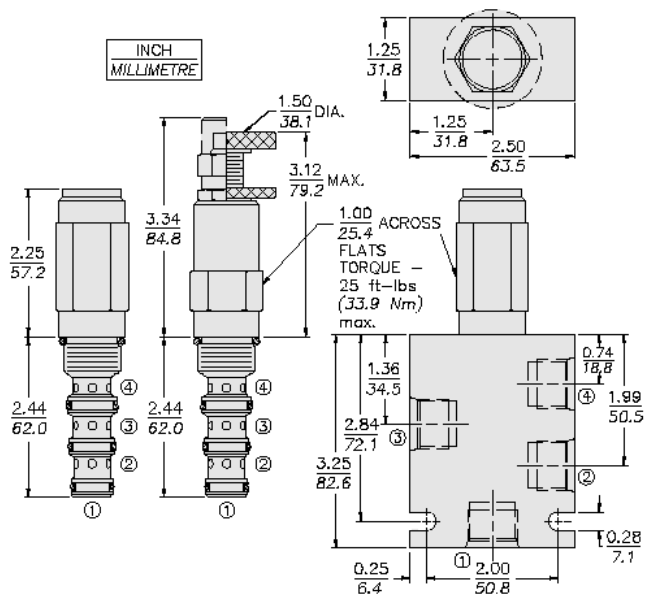
Properties

Unit weight	0.29 kg (0.64 lb)	- Note: PS10-40A
	0.31 kg (0.69 lb)	- Note: PS10-40B
	0.34 kg (0.74 lb)	- Note: PS10-40C
	0.28 kg (0.62 lb)	- Note: PS10-40F
	0.28 kg (0.61 lb)	- Note: PS10-40H
	0.34 kg (0.74 lb)	- Note: PS10-40L
Internal wetted surface area	150 cm ² (23.3 in ²)	- Note: PS10-40A PS10-40B PS10-40C PS10-40L
	163 cm ² (25.3 in ²)	- Note: PS10-40F PS10-40H

Performance



Dimensions



Materials

Materials

Cartridge: Weight: 0.34 kg (0.70 lb); Steel with hardened work surfaces. Zinc-plated exposed surfaces; Buna N O-rings and polyester elastomer back-ups standard. Anodized aluminum knobs and caps.

Standard Ported Body: Weight: 0.34 kg (0.70 lb); Anodized high-strength 6061 T6 aluminum alloy, rated to 207 bar (3000 psi); Ductile iron bodies available; dimensions may differ.

Adjustment Option Details: See [adjustment options](#)



Installation Specifications

Cavity	VC10-4
H style plug torque	10.8 to 13.6 N-m (8 to 10 ft-lb)
Cartridge installation torque	32.5 to 35.3 N-m (24 to 26 ft-lb)
Orientation restriction	None

Accessories

Seal kit	SK10-4X-BMM	- Note: X = n, v, P
	SK10-4U-OOO	
Housings		



Order Code

POSITION	CODE	DESCRIPTION
		PS10-40F-H-J-R/S
F		Adjustment Option
F	A	1/4" Hex Allen Head
F	B	1-1/2" Diameter Aluminum Knob with Aluminum Lock Knob
F	C	1/4" Hex Allen Head with Cover Cap
F	F	Factory Preset Non-Adjustable
F	H	Factory Preset Hidden Adjustment
F	L	1/4" Hex Allen Head with Cover Cap and Lockwire Holes
H		Line Body
H	0	No Body
H	6T	Aluminum SAE 6
H	8T	Aluminum SAE 8
H	6TD	Ductile Iron SAE 6
J		Seal
J	N	Buna-N
J	V	Fluorocarbon
J	P	Polyurethane
J	U	PPDI Urethane
R		Spring
R	04	2.8 to 27.6 bar (40 to 400 psi) Spring Range
R	08	to 55.2 bar (to 800 psi) Spring Range
R	22	15.2 to 151.7 bar (220 to 2200 psi) Spring Range
S		Setting
S	MXXX	Spring Setting in XXX bar
S	XX	Spring Setting in XX psi (x 100)

