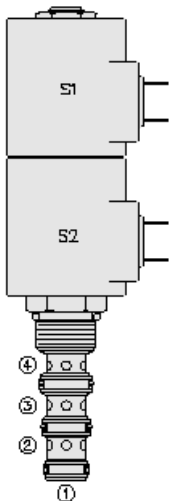




Overview



Description

A solenoid operated, direct acting, 3 position, 4-way, motor spool, proportional directional control. It is a screw in hydraulic cartridge valve for use with general purpose hydraulic fluids. Manual override feature is available as an option

Operation

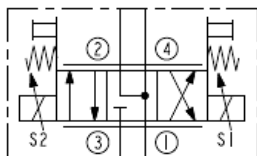
When de-energized, the SP10-47DX blocks flow to port 3, while allowing flow from port 2 to port 1 and port 4 to port 1. When coil #1 is energized, flow is allowed from port 3 to port 4, and from port 2 to port 1. When coil #2 is energized, flow is allowed from port 3 to port 2, and from port 4 to port 1

note: that while port 1 may be fully pressurized, it is not intended for use as the valves inlet

Features

- Continuous-duty rated solenoid.
- Hardened precision spool and cage for long life.
- Optional coil voltages and terminations.
- Manual override option.
- Optional waterproof E-Coils rated up to IP69K.
- Efficient wet-armature construction.
- Cartridges are voltage interchangeable.
- Good linearity and hysteresis.
- Industry-common cavity.

Symbol



Ratings

Pressure Ratings

Pressure rating	250 bar (3625 psi)
Proof pressure	345 bar (5000 psi)
Burst pressure	827 bar (12000 psi)

Flow Ratings

Flow rating	22.7 lpm (6.0 gpm) 20.8 lpm (5.5 gpm)	- Note: Manual override options "b" and "m"
Maximum internal leakage	246 ml/min (15 in ³ /min) 207 bar (3000 psi)	- Note: From port 3 to 4 or port 3 to 2 with the valve in neutral at
Hysteresis per cent	10 %	- Note: Maximum, flow rating between lpm (1.0 to 5.5 gpm)

Temperature Ratings

Operating fluid temperature	-40 to 100 °C (-40 to 212 °F)	- Note: With buna N seals
	-26 to 204 °C (-15 to 400 °F)	- Note: With fluorocarbon seals
	-54 to 107 °C (-65 to 225 °F)	- Note: With polyurethane seals
Storage temperature	-40 to 70 °C (-40 to 160 °F)	
Ambient temperature	-40 to 70 °C (-40 to 160 °F)	

Operating Parameters

Fluids	Mineral based or synthetic hydraulic fluid with lubricating properties
Fluid viscosity range	7.4 to 420 cSt
Maximum operating contamination level	20/18/14 per ISO 4406

Properties

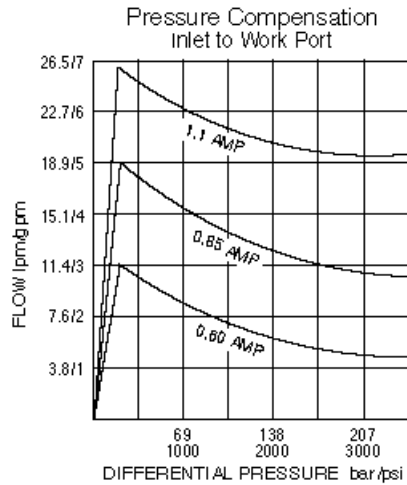
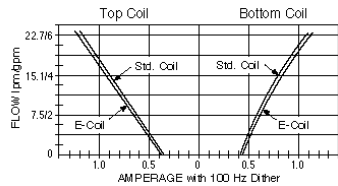
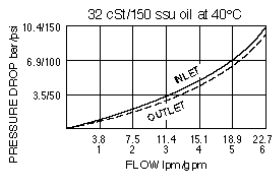
Unit weight	0.27 kg (0.60 lb)	- Note: SP10-47D
Internal wetted surface area	233 cm ² (36.1 in ²)	- Note: SP10-47D



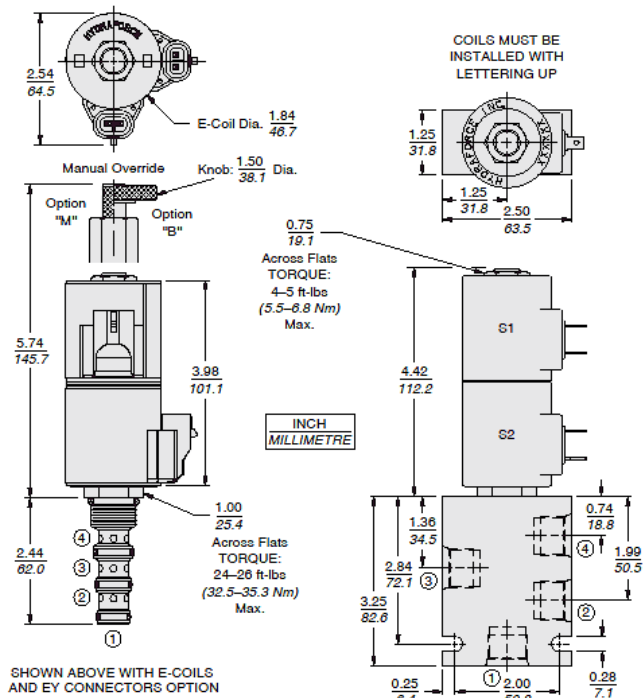
Electrical Parameters

Valve inductance	198 mH	- Note: At 1.2 A
Maximum control current	1.2 A	- Note: For coil 12 V
Minimum control current		- Note: Threshold current
Threshold current	0.40 A	- Note: (s1) nominal for coil 12 V
	0.42 A	- Note: (s2) nominal for coil 12 V
Dither PWM frequency	100 Hz	

Performance



Dimensions





Materials

Materials

Cartridge: Weight: 0.30 kg (0.65 lb); Steel with hardened work surfaces. Zinc-plated exposed surfaces; Buna N O-rings and back-ups standard.

Standard Ported Body: Weight: 0.36 kg (0.80 lb); Anodized high-strength 6061 T6 aluminum alloy, rated to 207 bar (3000 psi); Ductile iron bodies available; dimensions may differ.

Standard D-Coil: Weight each: 0.27 kg (0.60 lb); Unitized thermoplastic encapsulated, Class H high temperature magnet wire.

E-Coil: Weight: 0.41 kg (0.9 lb); Perfect wound, fully encapsulated with rugged external metal shell; Rated up to IP69K with integral connectors.

Installation Specifications

Cavity	VC10-4
Cartridge installation torque	32.5 to 35.3 N-m (24 to 26 ft-lb)
Coil nut torque	6.8 to 9.5 N-m (5 to 7 ft-lb)
Orientation restriction	None

Accessories

Seal kit	SK10-4X-MMM	- Note: X = seal option
Housings		
Coils		

Order Code

POSITION	CODE	DESCRIPTION
		SP10-47DE-H-J-L
E		Manual Override
E	B	Momentary Push/Pull Override, 1.5" Diameter Aluminum Knob
E	BLANK	NONE
E	K	Three Position Override, 1.5" Diameter Aluminum Knob
E	M	Momentary Push/Pull Override, Red Knurled Knob
H		Line Body
H	0	No Body
H	6T	Aluminum SAE 6
H	8T	Aluminum SAE 8
H	6TD	Ductile Iron SAE 6
J		Seal
J	N	Buna-N
J	V	Fluorocarbon
J	P	Polyurethane
J	U	PPDI Urethane
L		Coil
L	0	No Coil, D-Coil Spacer
L	0E	No Coil, E-Coil Spacer
L	10DG	10 VDC, D-Coil, DIN 43650
L	10DL	10 VDC, D-Coil, Dual Lead Wires
L	10DS	10 VDC, D-Coil, Dual Spade
L	10EL	10 VDC, E-Coil, Dual Lead Wires
L	10ER	10 VDC, E-Coil, Deutsch



POSITION	CODE	DESCRIPTION
L	12DG	12 VDC, D-Coil, DIN 43650
L	12DL	12 VDC, D-Coil, Dual Lead Wires, 18 inches long
L	12DL/36	12 VDC, D-Coil, Dual Lead Wires, 36 inches long
L	12DL/W	12 VDC, D-Coil, Dual Lead Wires with Weatherpak
L	12DR	12 VDC, D-Coil, Deutsch
L	12DS	12 VDC, D-Coil, Dual Spade
L	12EG	12 VDC, E-Coil, DIN 43650
L	12EJ	12 VDC, E-Coil, AMP Jr.
L	12EL	12 VDC, E-Coil, Dual Lead Wires, 18 inches long
L	12EL/36	12 VDC, E-Coil, Dual Lead Wires, 36 inches long
L	12ER	12 VDC, E-Coil, Deutsch
L	12EY	12 VDC, E-Coil, Metri-Pack 150
L	20DS	20 VDC, D-Coil, Dual Spade
L	20ER	20 VDC, E-Coil, Deutsch
L	24AG	24 VDC, D-Coil, DIN 43650
L	24AP	24 VDC, D-Coil, 1/2" Conduit and Dual Lead Wires
L	24DG	24 VDC, D-Coil, DIN 43650
L	24DL	24 VDC, D-Coil, Dual Lead Wires
L	24DL/W	24 VDC, D-Coil, Dual Lead Wires with Weatherpak
L	24DP	24 VDC, D-Coil, 1/2" Conduit and Dual Lead Wires
L	24DR	24 VDC, D-Coil, Deutsch
L	24DS	24 VDC, D-Coil, Dual Spade
L	24EG	24 VDC, E-Coil, DIN 43650
L	24EJ	24 VDC, E-Coil, AMP Jr.
L	24EL	24 VDC, E-Coil, Dual Lead Wires, 18 inches long
L	24EL/36	24 VDC, E-Coil, Dual Lead Wires, 36 inches long
L	24ER	24 VDC, E-Coil, Deutsch
L	24EY	24 VDC, E-Coil, Metri-Pack 150
L	36DS	36 VDC, D-Coil, Dual Spade

