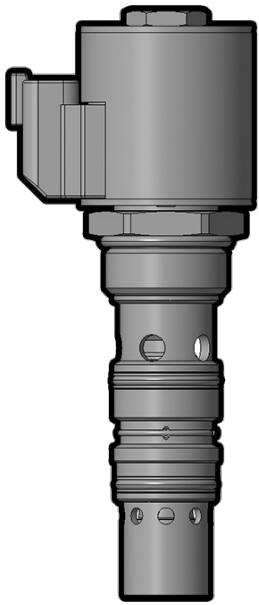




Overview



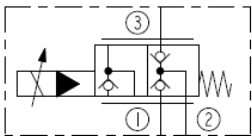
Description

This SPCL16-32 valve is a solenoid-operated, 3 port, normally closed, poppet-type, proportional, screw-in hydraulic cartridge valve, designed for low leakage, blocking and load-holding applications. When energized, the poppet lifts to allow flow from port 3 to ports 1 and 2, flow at port 2 is typical for load sensing applications but does not have a check valve for isolation.

Features

- Industry-common cavity.
- Continuous-duty rated coils.
- Efficient wet-armature construction.
- Optional waterproof E-Coils rated up to IP69K.
- Reduce manifold space claim.

Symbol



Ratings

Pressure Ratings

Pressure rating	2.4 to 250 bar (35 to 3625 psi)
Proof pressure	345 bar (5000 psi)
Burst pressure	779 bar (11300 psi)

Flow Ratings

Flow rating	- Note: See performance graphs	
Maximum internal leakage	5 drops/min	- Note: For ports 1 and 3, at 250 bar (3625 psi)
	15 drops/min	- Note: For port 2, at 250 bar (3625 psi)
Hysteresis percent	10 %	- Note: Of max flow (at max control current)

Temperature Ratings

Operating fluid temperature	-40 to 100 °C (-40 to 212 °F)	- Note: With Buna N seals
	-26 to 204 °C (-15 to 400 °F)	- Note: With Viton seals
	-54 to 107 °C (-65 to 225 °F)	- Note: With polyurethane seals
Storage temperature	-40 to 70 °C (-40 to 160 °F)	
Ambient temperature	-40 to 70 °C (-40 to 160 °F)	

Operating Parameters

Fluids	Mineral based or synthetic hydraulic fluid with lubricating properties
Fluid viscosity range	7.4 to 420 cSt
Maximum operating contamination level	20/18/14 per ISO 4406



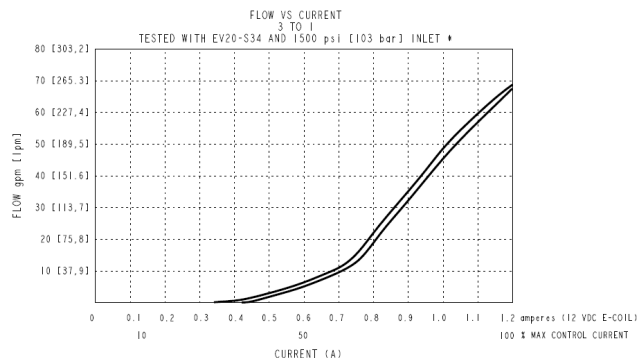
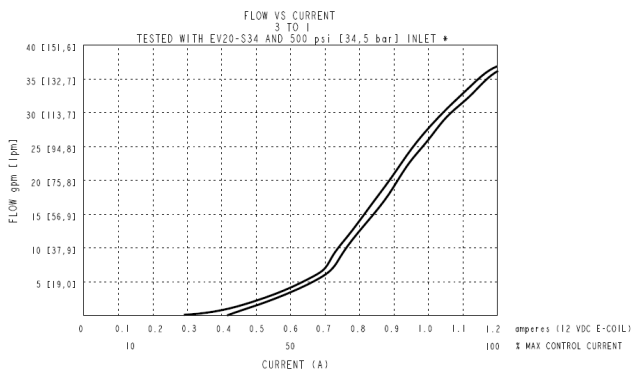
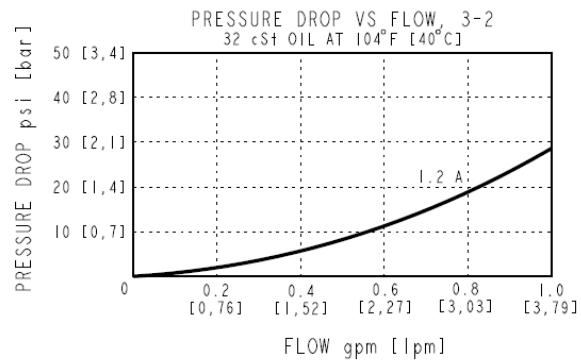
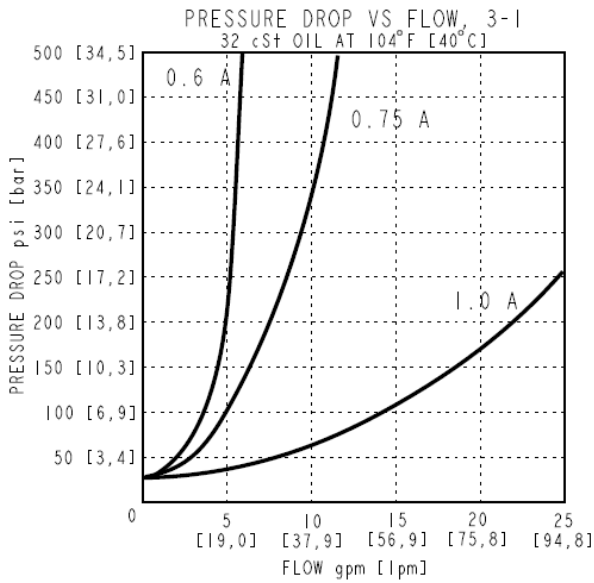
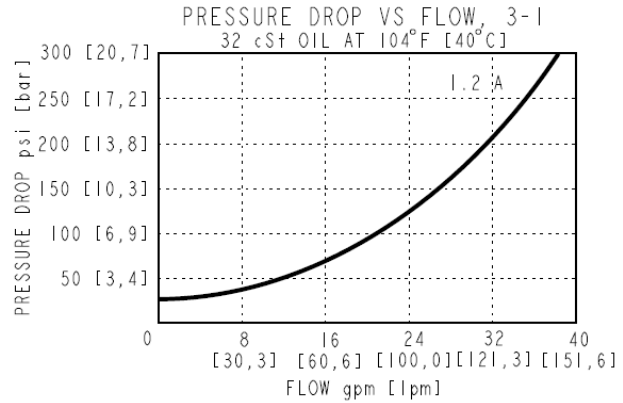
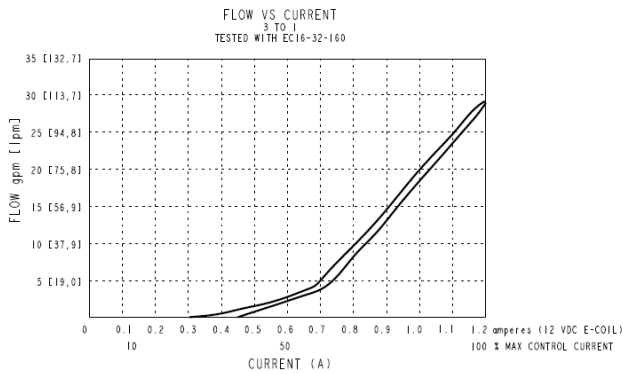
Properties

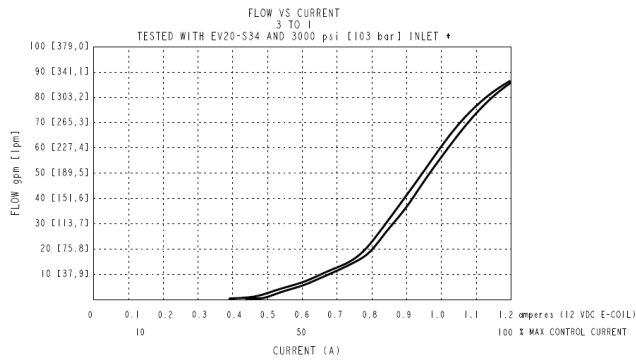
Unit weight	0.49 kg (1.09 lb)
Internal wetted surface area	353 cm ² (54.7 in ²)

Electrical Parameters

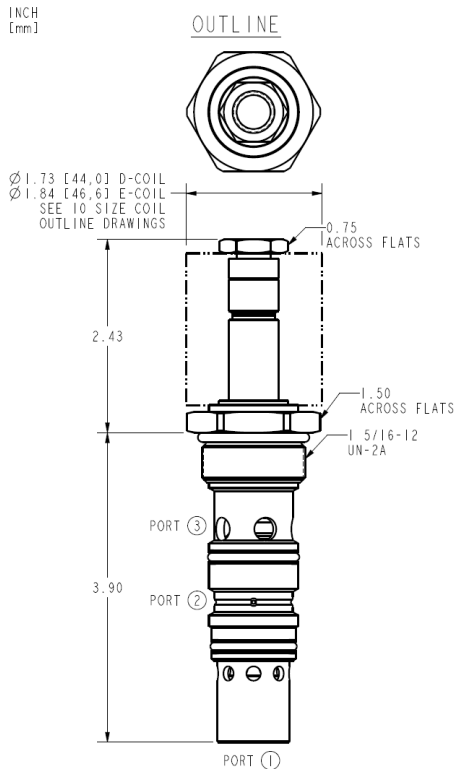
Valve inductance	173.3 mH	- Note: At 1.2 A
Maximum control current	1.2 A	
Threshold current	0.40 to 0.60 A	
Dither PWM frequency	100 Hz	- Note: Recommended

Performance





Dimensions



ALL DIMENSIONS ARE FOR REFERENCE ONLY

Installation Specifications

Cavity	VC16-3SPCL
Cartridge installation torque	129 to 142 N-m (95 to 105 ft-lb)
Coil nut torque	6.8 to 9.5 N-m (5 to 7 ft-lb)
Orientation restriction	None

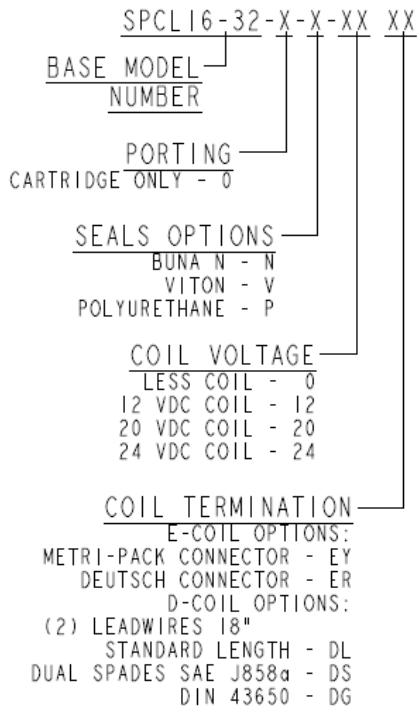
Accessories

Seal kit	SK16-3X-MM	- Note: X = seal option
Housings		
Coils		

Order Code



ORDERING INFORMATION



POSITION	CODE	DESCRIPTION
		SPCL16-32-H-J-L
H		Line Body
H	0	No Body
J		Seal
J	N	Buna-N
J	V	Fluorocarbon
J	P	Polyurethane
J	U	PPDI Urethane
L		Coil
L	0	No Coil
L	10DG	10 VDC, D-Coil, DIN 43650
L	10DL	10 VDC, D-Coil, Dual Lead Wires
L	10DS	10 VDC, D-Coil, Dual Spade
L	10EL	10 VDC, E-Coil, Dual Lead Wires
L	10ER	10 VDC, E-Coil, Deutsch
L	12DG	12 VDC, D-Coil, DIN 43650
L	12DL	12 VDC, D-Coil, Dual Lead Wires, 18 inches long
L	12DL/36	12 VDC, D-Coil, Dual Lead Wires, 36 inches long
L	12DL/W	12 VDC, D-Coil, Dual Lead Wires with Weatherpak
L	12DR	12 VDC, D-Coil, Deutsch
L	12DS	12 VDC, D-Coil, Dual Spade
L	12EG	12 VDC, E-Coil, DIN 43650
L	12EJ	12 VDC, E-Coil, AMP Jr.
L	12EL	12 VDC, E-Coil, Dual Lead Wires, 18 inches long
L	12EL/36	12 VDC, E-Coil, Dual Lead Wires, 36 inches long



POSITION	CODE	DESCRIPTION
L	12ER	12 VDC, E-Coil, Deutsch
L	12EY	12 VDC, E-Coil, Metri-Pack 150
L	20DS	20 VDC, D-Coil, Dual Spade
L	20ER	20 VDC, E-Coil, Deutsch
L	24AG	24 VDC, D-Coil, DIN 43650
L	24AP	24 VDC, D-Coil, 1/2" Conduit and Dual Lead Wires
L	24DG	24 VDC, D-Coil, DIN 43650
L	24DL	24 VDC, D-Coil, Dual Lead Wires
L	24DL/W	24 VDC, D-Coil, Dual Lead Wires with Weatherpak
L	24DP	24 VDC, D-Coil, 1/2" Conduit and Dual Lead Wires
L	24DR	24 VDC, D-Coil, Deutsch
L	24DS	24 VDC, D-Coil, Dual Spade
L	24EG	24 VDC, E-Coil, DIN 43650
L	24EJ	24 VDC, E-Coil, AMP Jr.
L	24EL	24 VDC, E-Coil, Dual Lead Wires, 18 inches long
L	24EL/36	24 VDC, E-Coil, Dual Lead Wires, 36 inches long
L	24ER	24 VDC, E-Coil, Deutsch
L	24EY	24 VDC, E-Coil, Metri-Pack 150
L	36DS	36 VDC, D-Coil, Dual Spade