



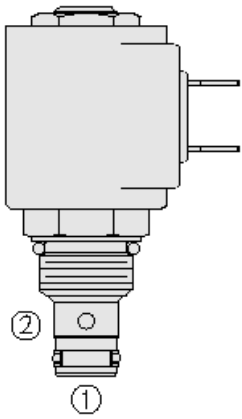
Overview

Description

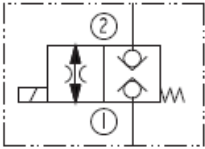
A solenoid-operated, 2 port, normally closed, direct-acting, needle-type, screw in hydraulic cartridge valve, designed to function as a blocking or load-holding device for low flow circuits. When de-energized, the SV08-26 blocks flow in both directions, to pressure rating. If pressure on port 1 exceeds the rating, flow may pass from port 1 to port 2. When energized, the needle point lifts to open the valve bidirectionally. Port 2 is the recommended load-holding port.

Features

- Continuous-duty rated coil.
- Hardened seat for long life and low leakage.
- Optional coil voltages and terminations.
- Cartridges are voltage interchangeable.
- Unitized, molded coil design.
- Manual override option.
- Optional waterproof E-Coils rated up to IP69K.
- Industry common cavity 1/8" compact size.



Symbol



Ratings

Pressure Ratings

Pressure rating 207 bar (3000 psi)

Flow Ratings

Maximum internal leakage 82 drops/min (3 in³/min) - **Note:** At 207 bar (3000 psi)

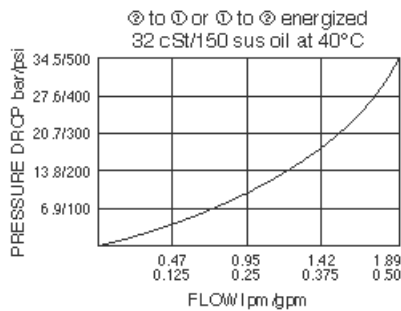
Temperature Ratings

| | | |
|-----------------------------|-------------------------------|--|
| Operating fluid temperature | -40 to 100 °C (-40 to 212 °F) | - Note: With buna N seals |
| | -26 to 204 °C (-15 to 400 °F) | - Note: With viton seals |
| Storage temperature | -54 to 107 °C (-65 to 225 °F) | - Note: With polyurethane seals |
| | -40 to 70 °C (-40 to 160 °F) | |

Properties

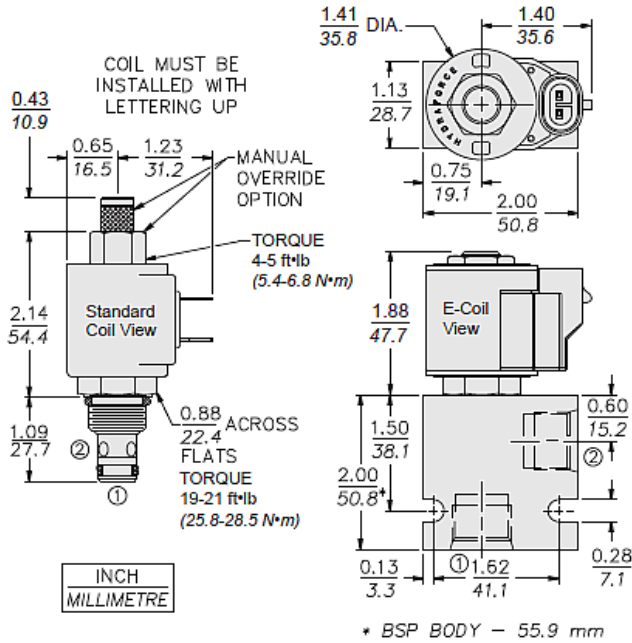
Materials Steel with hardened work surfaces zinc-plated exposed

Performance





Dimensions



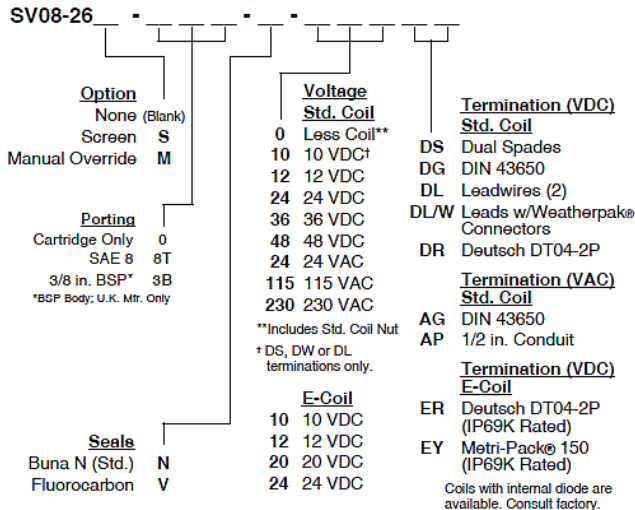
Installation Specifications

| | |
|-------------------------------|-----------------------------------|
| Cartridge installation torque | 25.8 to 28.5 N-m (19 to 21 ft-lb) |
| Coil nut torque | 5.4 to 6.8 N-m (4 to 5 ft-lb) |
| Orientation restriction | None |

Accessories

| | |
|----------|-----------|
| Seal kit | SK08-2X-M |
|----------|-----------|

Order Code



Model Options

SV08-26EG-H-J-L

E Manual Override

| CODE | DESCRIPTION |
|-------|---|
| BLANK | NONE |
| M | Two Position Override, Red Knurled Knob |

G Screen



| CODE | DESCRIPTION |
|-------|-----------------|
| BLANK | NONE |
| S | 100 Mesh Screen |

H Line Body

| CODE | DESCRIPTION |
|------|----------------------------|
| 0 | No Body |
| 4T | Aluminum SAE 4 |
| 6T | Aluminum SAE 6 |
| 8T | Aluminum SAE 8 |
| 6TD | Ductile Iron SAE 6 |
| 8TD | Ductile Iron SAE 8 |
| 2B | Aluminum BSPP 1/4" (2) |
| 3B | Aluminum BSPP 3/8" (3) |
| 3BD | Ductile Iron BSPP 3/8" (3) |

J Seal

| CODE | DESCRIPTION |
|------|---------------|
| N | Buna-N |
| V | Fluorocarbon |
| P | Polyurethane |
| U | PPDI Urethane |

L Coil

| CODE | DESCRIPTION |
|----------|--|
| 0 | No Coil |
| 10DL | 10 VDC, D-Coil, Dual Lead Wires |
| 10DR/D | 10 VDC, D-Coil, Deutsch with Diode |
| 10DS | 10 VDC, D-Coil, Dual Spade |
| 10EL | 10 VDC, E-Coil, Dual Lead Wires, 18 inches long |
| 10EL/36 | 10 VDC, E-Coil, Dual Lead Wires, 36 inches long |
| 10ER | 10 VDC, E-Coil, Deutsch |
| 10ER/Z | 10 VDC, E-Coil, Deutsch with Zener Diode |
| 12DG | 12 VDC, D-Coil, DIN 43650 |
| 12DL | 12 VDC, D-Coil, Dual Lead Wires, 18 inches long |
| 12DL/36 | 12 VDC, D-Coil, Dual Lead Wires, 36 inches long |
| 12DL/W | 12 VDC, D-Coil, Dual Lead Wires with Weatherpak |
| 12DL/W/D | 12 VDC, D-Coil, Dual Lead Wires with Weatherpak with Diode |
| 12DR | 12 VDC, D-Coil, Deutsch |
| 12DR/D | 12 VDC, D-Coil, Deutsch with Diode |
| 12DR/Z | 12 VDC, D-Coil, Deutsch with Zener Diode |
| 12DS | 12 VDC, D-Coil, Dual Spade |
| 12EG | 12 VDC, E-Coil, DIN 43650 |
| 12EG/Z | 12 VDC, E-Coil, DIN 43650 with Zener Diode |
| 12EJ | 12 VDC, E-Coil, AMP Jr. |



| CODE | DESCRIPTION |
|---------|---|
| 12EJ/Z | 12 VDC, E-Coil, AMP Jr. with Zener Diode |
| 12EL | 12 VDC, E-Coil, Dual Lead Wires, 18 inches long |
| 12EL/36 | 12 VDC, E-Coil, Dual Lead Wires, 36 inches long |
| 12EL/Z | 12 VDC, E-Coil, Dual Lead Wires with Zener Diode |
| 12ER | 12 VDC, E-Coil, Deutsch |
| 12ER/Z | 12 VDC, E-Coil, Deutsch with Zener Diode |
| 12EY | 12 VDC, E-Coil, Metri-Pack 150 |
| 12EY/Z | 12 VDC, E-Coil, Metri-Pack 150 with Zener Diode |
| 20DG | 20 VDC, D-Coil, DIN 43650 |
| 20DS | 20 VDC, D-Coil, Dual Spade |
| 20ER | 20 VDC, E-Coil, Deutsch |
| 20ER/Z | 20 VDC, E-Coil, Deutsch with Zener Diode |
| 24AG | 24 VDC, D-Coil, DIN 43650 |
| 24AP | 24 VDC, D-Coil, 1/2" Conduit and Dual Lead Wires |
| 24DG | 24 VDC, D-Coil, DIN 43650 |
| 24DL | 24 VDC, D-Coil, Dual Lead Wires, 18 inches long |
| 24DL/36 | 24 VDC, D-Coil, Dual Lead Wires, 36 inches long |
| 24DL/W | 24 VDC, D-Coil, Dual Lead Wires with Weatherpak |
| 24DR | 24 VDC, D-Coil, Deutsch |
| 24DR/D | 24 VDC, D-Coil, Deutsch with Diode |
| 24DR/Z | 24 VDC, D-Coil, Deutsch with Zener Diode |
| 24DS | 24 VDC, D-Coil, Dual Spade |
| 24EG | 24 VDC, E-Coil, DIN 43650 |
| 24EG/Z | 24 VDC, E-Coil, DIN 43650 with Zener Diode |
| 24EJ | 24 VDC, E-Coil, AMP Jr. |
| 24EL/D | 24 VDC, E-Coil, Dual Lead Wires with Diode |
| 24ER | 24 VDC, E-Coil, Deutsch |
| 24ER/Z | 24 VDC, E-Coil, Deutsch with Zener Diode |
| 24EY | 24 VDC, E-Coil, Metri-Pack 150 |
| 24EY/Z | 24 VDC, E-Coil, Metri-Pack 150 with Zener Diode |
| 36DG | 36 VDC, D-Coil, DIN 43650 |
| 36DS | 36 VDC, D-Coil, Dual Spade |
| 115AG | 115 VAC, D-Coil, DIN 43650 |
| 115AP | 115 VAC, D-Coil, 1/2" Conduit and Dual Lead Wires |
| 230AG | 230 VAC, D-Coil, DIN 43650 |
| 230AP | 230 VAC, D-Coil, 1/2" Conduit and Dual Lead Wires |