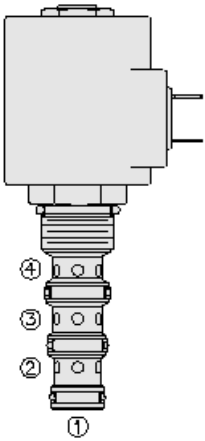




Overview



Description

The SV10-43X is a solenoid operated, 4 way, 2 position, direct acting, spool type, screw-in hydraulic cartridge valve

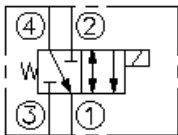
Operation

When de-energized, the SV10-43X allows flow from port 4 to port 1, while blocking port 3 to port 2. When energized, the spool shifts to allow flow from port 3 to port 4 and port 2 to port 1

Features

- Continuous-duty rated coil.
- Hardened precision spool and cage for long life.
- Optional coil voltages and terminations.
- Efficient wet-armature construction.
- Cartridges are voltage interchangeable.
- All ports may be fully pressurized.
- Unitized, molded coil design.
- Manual override option.
- Optional waterproof E&E Coils rated up to IP69K.
- Industry-common cavity.

Symbol



Ratings

Flow Ratings

Flow rating 22.7 lpm (6 gpm)
Maximum internal leakage 5 in³/min - **Note:** Max at 207 bar (3000 psi)

Pressure Ratings

Pressure rating 207 bar (3000 psi)

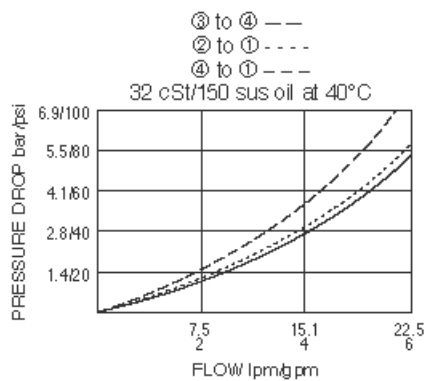
Temperature Ratings

Operating fluid temperature -40 to 120 °C (-40 to 248 °F) - **Note:** With buna N seals

Properties

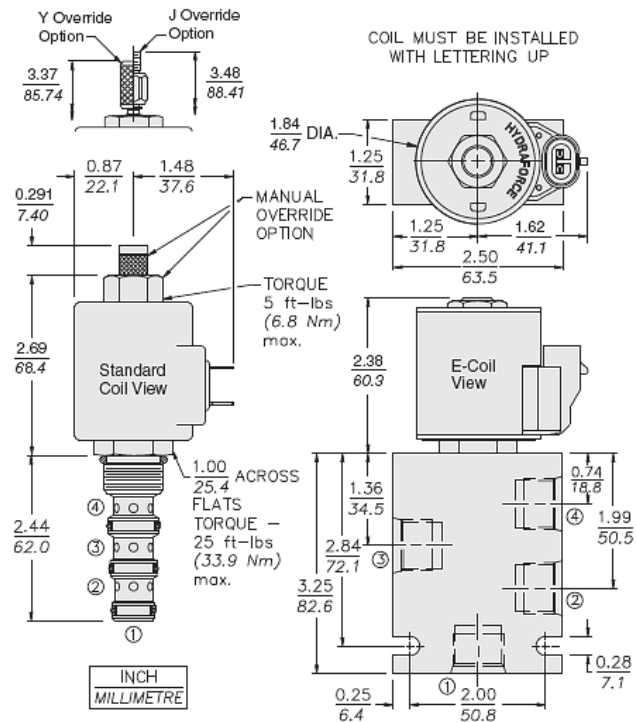
Materials steel with hardened work surfaces zinc-plated exposed

Performance





Dimensions



Materials

Materials

Cartridge: Weight: 0.20 kg (0.45 lb); Steel with hardened work surfaces. Zinc-plated exposed surfaces; Buna N O-rings and polyester elastomer back-up standard.

Standard Ported Body: Weight: 0.36 kg (0.80 lb); Anodized high-strength 6061 T6 aluminum alloy, rated to 207 bar (3000 psi); Ductile iron bodies available; dimensions may differ.

Standard D-Coil: Weight each: 0.27 kg (0.60 lb); Unitized thermoplastic encapsulated, Class H high temperature magnet wire.

E-Coil: Weight: 0.41 kg (0.9 lb); Perfect wound, fully encapsulated with rugged external metal shell; Rated up to IP69K with integral connectors.

Installation Specifications

Cavity	VC10-4
Cartridge installation torque	32.5 to 35.3 N-m (24 to 26 ft-lb)
Coil nut torque	6.8 to 9.5 N-m (5 to 7 ft-lb)

Accessories

Seal kit	SK10-4X-MM
Housings	
Coils	

Order Code

POSITION	CODE	DESCRIPTION
		SV10-43E-H-J-L
E		Manual Override
E	BLANK	NONE
E	J	Momentary Pull Override, #10-32 threads
E	M	Two Position Override, Red Knurled Knob
E	Y	Momentary Pull Override, Red Knurled Knob
H		Line Body



POSITION	CODE	DESCRIPTION
H	0	No Body
H	6T	Aluminum SAE 6
H	8T	Aluminum SAE 8
H	6TD	Ductile Iron SAE 6
J		Seal
J	N	Buna-N
J	V	Fluorocarbon
J	P	Polyurethane
J	U	PPDI Urethane
L		Coil
L	0	No Coil
L	10DG	10 VDC, D-Coil, DIN 43650
L	10DL	10 VDC, D-Coil, Dual Lead Wires
L	10DR/D	10 VDC, D-Coil, Deutsch with Diode
L	10DS	10 VDC, D-Coil, Dual Spade
L	10EL	10 VDC, E-Coil, Dual Lead Wires
L	10ER	10 VDC, E-Coil, Deutsch
L	10ER/Z	10 VDC, E-Coil, Deutsch with Zener Diode
L	12DG	12 VDC, D-Coil, DIN 43650
L	12DL	12 VDC, D-Coil, Dual Lead Wires, 18 inches long
L	12DL/36	12 VDC, D-Coil, Dual Lead Wires, 36 inches long
L	12DL/W	12 VDC, D-Coil, Dual Lead Wires with Weatherpak
L	12DL/W/D	12 VDC, D-Coil, Dual Lead Wires with Weatherpak with Diode
L	12DR	12 VDC, D-Coil, Deutsch
L	12DR/D	12 VDC, D-Coil, Deutsch with Diode
L	12DR/Z	12 VDC, D-Coil, Deutsch with Zener Diode
L	12DS	12 VDC, D-Coil, Dual Spade
L	12EG	12 VDC, E-Coil, DIN 43650
L	12EJ	12 VDC, E-Coil, AMP Jr.
L	12EL	12 VDC, E-Coil, Dual Lead Wires, 18 inches long
L	12EL/36	12 VDC, E-Coil, Dual Lead Wires, 36 inches long
L	12EL/W/Z	12 VDC, E-Coil, Dual Lead Wires with WeatherPak and Zener Diode
L	12EL/Z	12 VDC, E-Coil, Dual Lead Wires with Zener Diode
L	12ER	12 VDC, E-Coil, Deutsch
L	12ER/Z	12 VDC, E-Coil, Deutsch with Zener Diode
L	12EY	12 VDC, E-Coil, Metri-Pack 150
L	12EY/Z	12 VDC, E-Coil, Metri-Pack 150 with Zener Diode
L	20DR/D	20 VDC, D-Coil, Deutsch with Diode
L	20DS	20 VDC, D-Coil, Dual Spade
L	20ER	20 VDC, E-Coil, Deutsch
L	24AG	24 VDC, D-Coil, DIN 43650
L	24AP	24 VDC, D-Coil, 1/2" Conduit and Dual Lead Wires
L	24DG	24 VDC, D-Coil, DIN 43650



POSITION	CODE	DESCRIPTION
L	24DL	24 VDC, D-Coil, Dual Lead Wires
L	24DL/W	24 VDC, D-Coil, Dual Lead Wires with Weatherpak
L	24DL/W/D	24 VDC, D-Coil, Dual Lead Wires with Weatherpak with Diode
L	24DP	24 VDC, D-Coil, 1/2" Conduit and Dual Lead Wires
L	24DR	24 VDC, D-Coil, Deutsch
L	24DR/D	24 VDC, D-Coil, Deutsch with Diode
L	24DS	24 VDC, D-Coil, Dual Spade
L	24EG	24 VDC, E-Coil, DIN 43650
L	24EJ	24 VDC, E-Coil, AMP Jr.
L	24EL	24 VDC, E-Coil, Dual Lead Wires, 18 inches long
L	24EL/36	24 VDC, E-Coil, Dual Lead Wires, 36 inches long
L	24EL/W/Z	24 VDC, E-Coil, Dual Lead Wires with WeatherPak and Zener Diode
L	24ER	24 VDC, E-Coil, Deutsch
L	24ER/Z	24 VDC, E-Coil, Deutsch with Zener Diode
L	24EY	24 VDC, E-Coil, Metri-Pack 150
L	24EY/Z	24 VDC, E-Coil, Metri-Pack 150 with Zener Diode
L	36DS	36 VDC, D-Coil, Dual Spade
L	115AG	115 VAC, D-Coil, DIN 43650
L	115AP	115 VAC, D-Coil, 1/2" Conduit and Dual Lead Wires
L	230AG	230 VAC, D-Coil, DIN 43650
L	230AP	230 VAC, D-Coil, 1/2" Conduit and Dual Lead Wires

SV10-43

