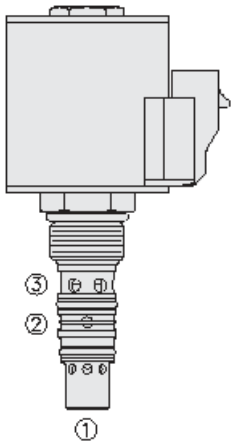




## Overview



### Description

A solenoid operated, 3 port, normally closed, on/off, poppet-type, screw-in hydraulic cartridge valve designed to function as a load holding or blocking valve in applications requiring low leakage.

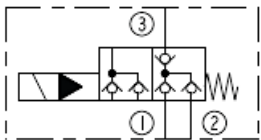
### Operation

When de-energized, flow is blocked at all ports. When energized, flow is allowed to pass from port 3 to ports 1 and 2, but will not allow flow from ports 2 and 1 to port 3.

### Features

- Continuous-duty rated coil.
- Hardened precision seat for long life and low leakage.
- Optional coil voltages and terminations.
- Efficient wet-armature construction.
- Cartridges are voltage interchangeable.
- All ports may be fully pressurized.
- Unitized, molded coil design.
- Optional waterproof E-Coils rated up to IP69K.
- Industry common cavity.
- Reduce manifold space claim.

### Symbol



## Ratings

### Pressure Ratings

Pressure rating	250 bar (3625 psi)	- <b>Note:</b> Ports 2 and 3. Per NFPA t2.6.1 r2-20000 using 99.9 assurance and 99% verification levels
	250 bar (5000 psi)	- <b>Note:</b> Port 1. Per NFPA t2.6.1 r2-20000 using 99.9 assurance and 90% verification levels

### Flow Ratings

Flow rating	57 lpm (15 gpm)	- <b>Note:</b> Based on 12 bar (175 psi) pressure drop, see performance graphs
Maximum internal leakage	5 drops/min	- <b>Note:</b> Port 1 port 3 at rated pressure
	10 drops/min	- <b>Note:</b> Port 2 at rated pressure

### Temperature Ratings

Operating fluid temperature	-40 to 100 °C (-40 to 212 °F)	- <b>Note:</b> With buna N seals
	-26 to 204 °C (-15 to 400 °F)	- <b>Note:</b> With fluorocarbon seals
	-54 to 107 °C (-65 to 225 °F)	- <b>Note:</b> With polyurethane seals
Storage temperature	-40 to 70 °C (-40 to 158 °F)	
Ambient temperature	-40 to 70 °C (-40 to 158 °F)	

## Operating Parameters

Fluids	Mineral based or synthetic hydraulic fluid with lubricating properties	
Fluid viscosity range	5 to 420 cSt	- <b>Note:</b> At 100 °F
Maximum operating contamination level	20/18/14 per ISO 4406	

## Properties

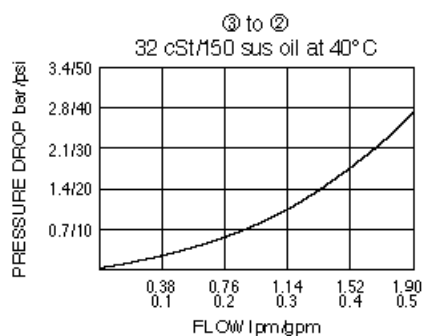
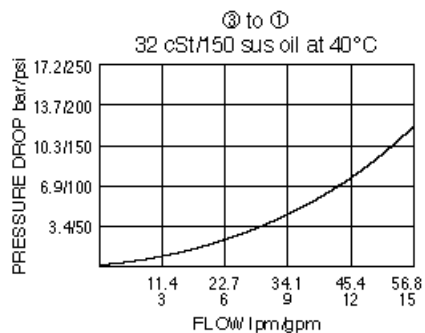
Unit weight	0.195 kg (0.43 lb)	- <b>Note:</b> SVCL10-30
	0.204 kg (0.45 lb)	- <b>Note:</b> SVCL10-30M
Internal wetted surface area	154 cm <sup>2</sup> (23.9 in <sup>2</sup> )	- <b>Note:</b> SVCL10-30
	164 cm <sup>2</sup> (25.4 in <sup>2</sup> )	- <b>Note:</b> SVCL10-30M

## Electrical Parameters

Initial current draw	1.7 A	- <b>Note:</b> At 12 V, 20 °C (68 °F)
----------------------	-------	---------------------------------------

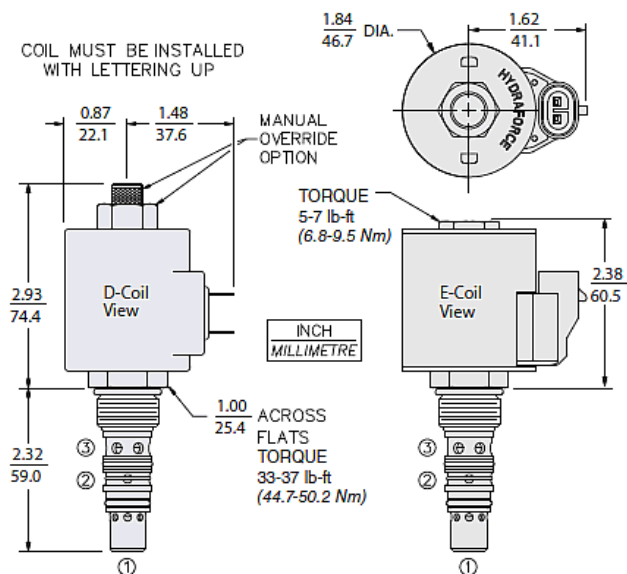


## Performance



## Dimensions

U.S. Patent 7,921,880



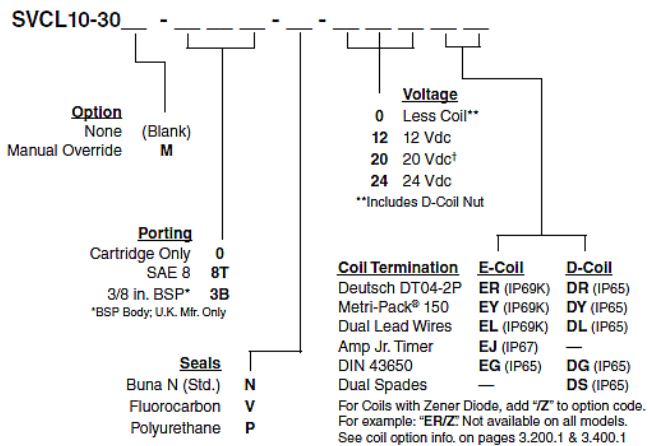
## Installation Specifications

Cavity	VC10-3B
Cartridge installation torque	44.8 to 50.2 N-m (33 to 37 ft-lb)
Coil nut torque	5.8 to 9.5 N-m (5 to 7 ft-lb)
Orientation restriction	

## Accessories

Seal kit	SK10-3X-MM	- Note: X = seal option
Housings		
Coils		

## Order Code



POSITION	CODE	DESCRIPTION
		SVCL10-30E-H-J-L
E		Manual Override
E	BLANK	NONE
E	J	Momentary Pull Override, #10-32 threads
E	M	Two Position Override, Red Knurled Knob
E	Y	Momentary Pull Override, Red Knurled Knob
H		Line Body
H	0	No Body
J		Seal
J	N	Buna-N
J	V	Fluorocarbon
J	P	Polyurethane
J	U	PPDI Urethane
L		Coil
L	0	No Coil
L	10DG	10 VDC, D-Coil, DIN 43650
L	10DL	10 VDC, D-Coil, Dual Lead Wires
L	10DR/D	10 VDC, D-Coil, Deutsch with Diode
L	10DS	10 VDC, D-Coil, Dual Spade
L	10EL	10 VDC, E-Coil, Dual Lead Wires
L	10ER	10 VDC, E-Coil, Deutsch
L	10ER/Z	10 VDC, E-Coil, Deutsch with Zener Diode
L	12DG	12 VDC, D-Coil, DIN 43650
L	12DL	12 VDC, D-Coil, Dual Lead Wires, 18 inches long
L	12DL/36	12 VDC, D-Coil, Dual Lead Wires, 36 inches long
L	12DL/W	12 VDC, D-Coil, Dual Lead Wires with Weatherpak
L	12DL/W/D	12 VDC, D-Coil, Dual Lead Wires with Weatherpak with Diode
L	12DR	12 VDC, D-Coil, Deutsch
L	12DR/D	12 VDC, D-Coil, Deutsch with Diode
L	12DR/Z	12 VDC, D-Coil, Deutsch with Zener Diode
L	12DS	12 VDC, D-Coil, Dual Spade
L	12EG	12 VDC, E-Coil, DIN 43650
L	12EJ	12 VDC, E-Coil, AMP Jr.



POSITION	CODE	DESCRIPTION
L	12EL	12 VDC, E-Coil, Dual Lead Wires, 18 inches long
L	12EL/36	12 VDC, E-Coil, Dual Lead Wires, 36 inches long
L	12EL/W/Z	12 VDC, E-Coil, Dual Lead Wires with WeatherPak and Zener Diode
L	12EL/Z	12 VDC, E-Coil, Dual Lead Wires with Zener Diode
L	12ER	12 VDC, E-Coil, Deutsch
L	12ER/Z	12 VDC, E-Coil, Deutsch with Zener Diode
L	12EY	12 VDC, E-Coil, Metri-Pack 150
L	12EY/Z	12 VDC, E-Coil, Metri-Pack 150 with Zener Diode
L	20DR/D	20 VDC, D-Coil, Deutsch with Diode
L	20DS	20 VDC, D-Coil, Dual Spade
L	20ER	20 VDC, E-Coil, Deutsch
L	24AG	24 VDC, D-Coil, DIN 43650
L	24AP	24 VDC, D-Coil, 1/2" Conduit and Dual Lead Wires
L	24DG	24 VDC, D-Coil, DIN 43650
L	24DL	24 VDC, D-Coil, Dual Lead Wires
L	24DL/W	24 VDC, D-Coil, Dual Lead Wires with Weatherpak
L	24DL/W/D	24 VDC, D-Coil, Dual Lead Wires with Weatherpak with Diode
L	24DP	24 VDC, D-Coil, 1/2" Conduit and Dual Lead Wires
L	24DR	24 VDC, D-Coil, Deutsch
L	24DR/D	24 VDC, D-Coil, Deutsch with Diode
L	24DS	24 VDC, D-Coil, Dual Spade
L	24EG	24 VDC, E-Coil, DIN 43650
L	24EJ	24 VDC, E-Coil, AMP Jr.
L	24EL	24 VDC, E-Coil, Dual Lead Wires, 18 inches long
L	24EL/36	24 VDC, E-Coil, Dual Lead Wires, 36 inches long
L	24EL/W/Z	24 VDC, E-Coil, Dual Lead Wires with WeatherPak and Zener Diode
L	24ER	24 VDC, E-Coil, Deutsch
L	24ER/Z	24 VDC, E-Coil, Deutsch with Zener Diode
L	24EY	24 VDC, E-Coil, Metri-Pack 150
L	24EY/Z	24 VDC, E-Coil, Metri-Pack 150 with Zener Diode
L	36DS	36 VDC, D-Coil, Dual Spade
L	115AG	115 VAC, D-Coil, DIN 43650
L	115AP	115 VAC, D-Coil, 1/2" Conduit and Dual Lead Wires
L	230AG	230 VAC, D-Coil, DIN 43650
L	230AP	230 VAC, D-Coil, 1/2" Conduit and Dual Lead Wires