



## Overview

### Description

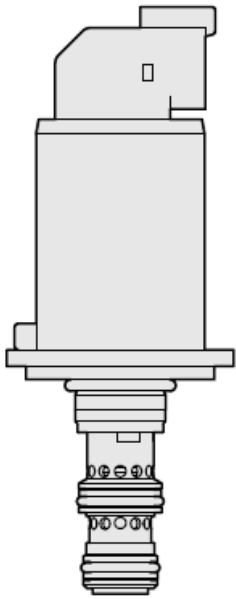
The SVPR98-G38X is a direct-acting, spool-type, fixed regulated pressure setting, pressure reducing relieving valve. It is a 3rd generation hydraforce drop-in, flange mounted cartridge type valve for use with mineral based or synthetic (with lubricating properties) hydraulic fluids.

### Operation

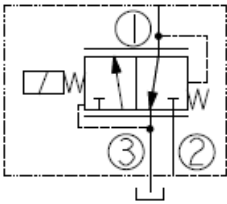
The coil is an integral part of the valve and is not serviceable the valve blocks flow from port 1 to port 2 and allows flow from port 1 to port 3 when de-energized. When energized, the valve controls the pressure at port 1 to a fixed pressure setting. Inlet at port 2. Tank at port 3.

### Features

- Combines the functions of 3-way solenoid valve and pressure reducing/relieving valve into one space-saving cartridge
- Allows pressure regulation to be switched on/off
- Possible applications include brake function, 2-speed motor, differential lock, and more
- Four fixed pressure settings available (consult factory for other settings)
- G3 Drop-in style valve with integrated coil
- Coil options include two voltages and three connectors, with or without bidirectional Zener diode
- Flows up to 19 lpm (5 gpm)



### Symbol



## Ratings

### Pressure Ratings

Pressure rating	45 bar (650 psi)	- <b>Note:</b> At port 1
	210 bar (3045 psi)	- <b>Note:</b> At port 2
	34.5 bar (500 psi)	- <b>Note:</b> At port 3
Proof pressure	207 bar (3000 psi)	- <b>Note:</b> At port 1
	241 bar (3500 psi)	- <b>Note:</b> At port 2
	53.8 bar (780 psi)	- <b>Note:</b> At port 3
Burst pressure	250 bar (3625 psi)	- <b>Note:</b> All ports pressurized
Control pressure setting	40 ±5 bar (580 ±72.5 psi)	- <b>Note:</b> SVPR98-G38X-0-X-XXXXX/X-M40-X
	34 ±4.5 bar (493 ±65 psi)	- <b>Note:</b> SVPR98-G38X-0-X-XXXXX/X-M34-X
	29 ±4 bar (421 ±58 psi)	- <b>Note:</b> SVPR98-G38X-0-X-XXXXX/X-M29-X
	21 ±3 bar (304 ±43.5 psi)	- <b>Note:</b> SVPR98-G38X-0-X-XXXXX/X-M21-X

### Flow Ratings

Flow rating	15.1 lpm (4 gpm)	
Maximum internal leakage	200 ml/min (12.2 in <sup>3</sup> /min)	- <b>Note:</b> De-energized at 210 bar (3045 psi)inlet pressure

### Other Ratings

Cycle life	10 million cycles
Environmental rating	IP69K. 960 hour salt spray per ASTM B117

### Temperature Ratings

Operating fluid temperature	-40 to 149 °C (-40 to 300 °F)	- <b>Note:</b> With HNBR seals
	-26 to 204 °C (-15 to 400 °F)	- <b>Note:</b> With fluorocarbon seals
Storage temperature	-40 to 70 °C (-40 to 158 °F)	
Ambient temperature	-40 to 75 °C (-40 to 167 °F)	



## Operating Parameters

Fluids	Mineral based or synthetic hydraulic fluid with lubricating properties.
Fluid viscosity range	7.4 to 420 cSt

## Properties

Unit weight	0.27 kg (0.60 lb)
Internal wetted surface area	148 cm <sup>2</sup> (23.0 in <sup>2</sup> )

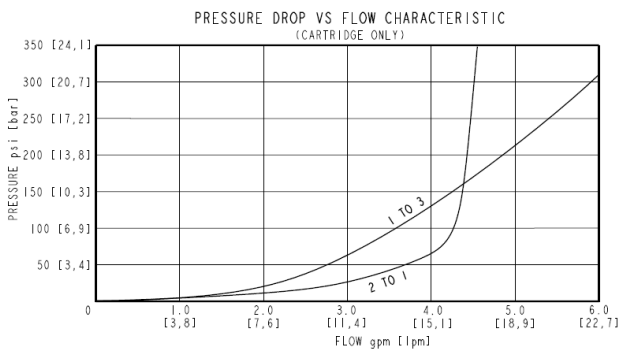
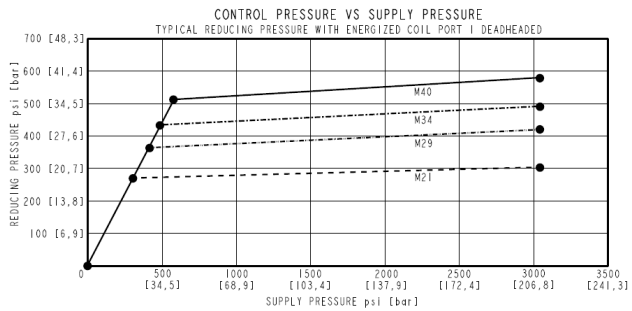
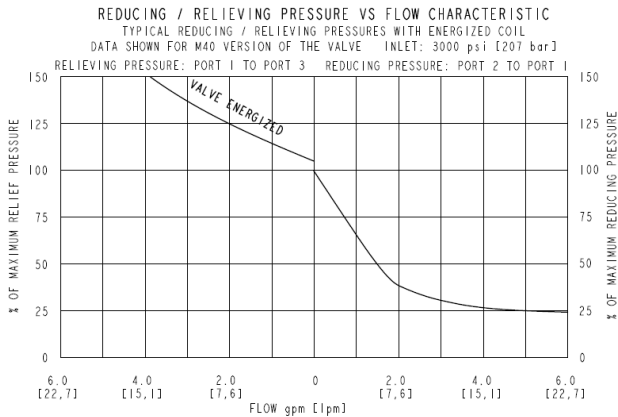
## Installation Specifications

Installation type	Flange mounted
Orientation restriction	None
Cavity	VC-G028
Mounting screw torque	3 to 4 N-m (2.2 to 3.0 ft-lb)

## Electrical Parameters

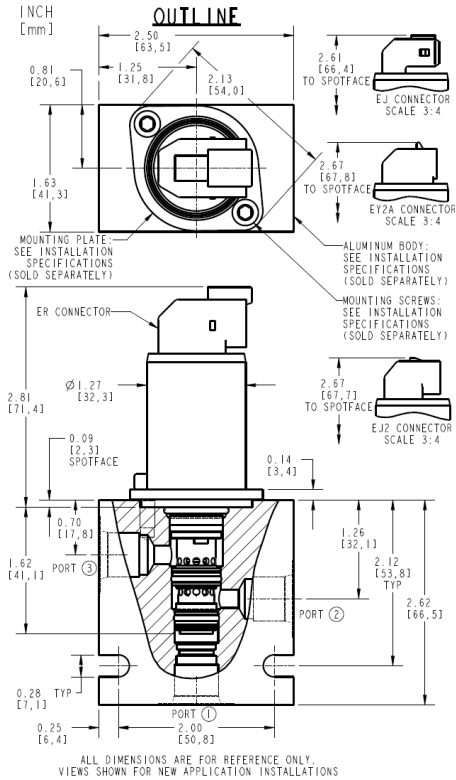
Minimum voltage	10.2 V	- Note: S12 coil
	20.4 V	- Note: S24 coil
Maximum voltage	13.8 V	- Note: S12 coil
	27.6 V	- Note: S24 coil
Coil resistance	4.83 ohm	- Note: S12 coil
	18.35 ohm	- Note: S24 coil
Valve inductance	77 mH	- Note: S12 coil
	301 mH	- Note: S24 coil

## Performance





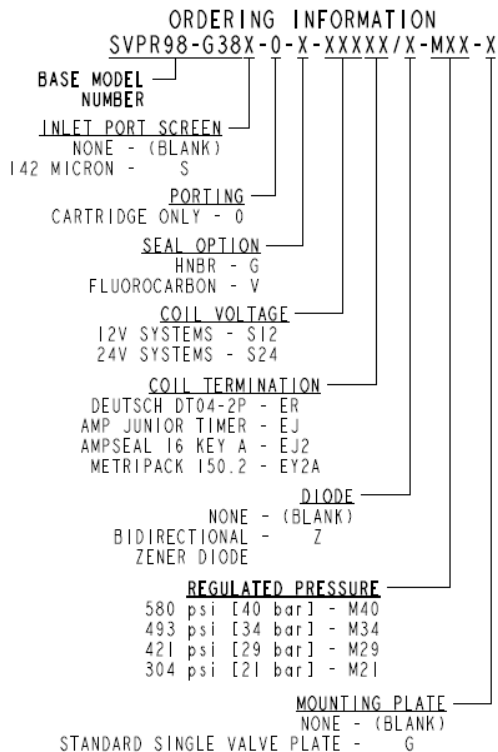
Dimensions



Accessories

- Seal kit SK-G028-X-BT (x = seal option)
- Mounting plate Hf p/n 4595096 (sold separately)
- Mounting screw M5-0.8 x 12 mm long. Hf p/n 4002609 (sold separately)
- Valve body Hf p/n 71612x0 (sold separately)

Order Code



Model Options



## SVPR98-G38G-H-J-KL-S-U

## G Screen

CODE	DESCRIPTION
BLANK	None
S	142 micron Screen

## H Porting

CODE	DESCRIPTION
0	No Body

## J Seal

CODE	DESCRIPTION
G	HNBR
V	Fluorocarbon

## K Coil Voltage

CODE	DESCRIPTION
12	12 Volt Coil
24	24 Volt Coil

## L Coil Termination

CODE	DESCRIPTION
ER	Deutsch DT04-2P
EJ	AMP Junior Timer
EJ2	Ampseal 16 Key A
EY2A	Metripack 150.2
ER/Z	Deutsch DT04-2P w/ Bidirectional Zener Diode
EJ/Z	AMP Junior Timer w/ Bidirectional Zener Diode
EJ2/Z	Ampseal 16 Key A w/ Bidirectional Zener Diode
EY2A/Z	Metripack 150.2 w/ Bidirectional Zener Diode

## S Regulated Pressure

CODE	DESCRIPTION
M21	21 bar (304 psi)
M29	29 bar (421 psi)
M34	34 bar (493 psi)
M40	40 bar (580 psi)

## U Mounting Plate

CODE	DESCRIPTION
BLANK	None
G	Standard Single Valve Plate
T	Retro-Fit Plate