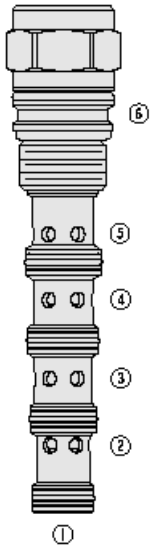




Overview



Description

The PD12-S60N is a screw-in, cartridge style, pilot operated, spool-type, hydraulic directional valve.

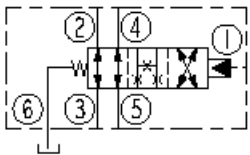
Operation

In the neutral position flow is allowed between ports 2 and 3 and between ports 4 and 5. On remote pilot signal at port 1 the valve's spool shifts to allow flow between ports 3 and 4, and between ports 2 and 5. The spring chamber is vented to the tank through port 6. The vented spring chamber allows the valve to be fully pressurized at ports 1, 2, 3, 4, and 5 without affecting required pilot pressure. Pressure at port 6 will affect required pilot pressure.

Features

- Hardened spool and cage for long life.
- Up to 344 bar (5000 psi) operation.
- 110 and 170 psi bias springs available.

Symbol



Ratings

Pressure Ratings

Pressure rating 345 bar (5000 psi)

Temperature Ratings

Operating fluid temperature -40 to 120 °C (-40 to 248 °F)

Flow Ratings

Maximum internal leakage 246 ml/min (15 in³/min) - **Note:** At 207 bar (3000 psi)

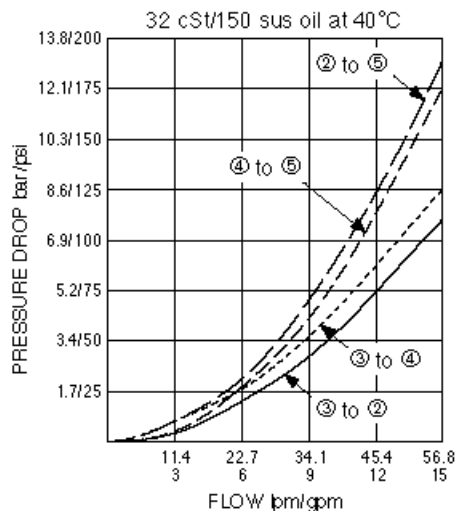
Properties

Materials Steel with work surfaces hardened, external surfaces are zinc plated. Buna N o-rings standard

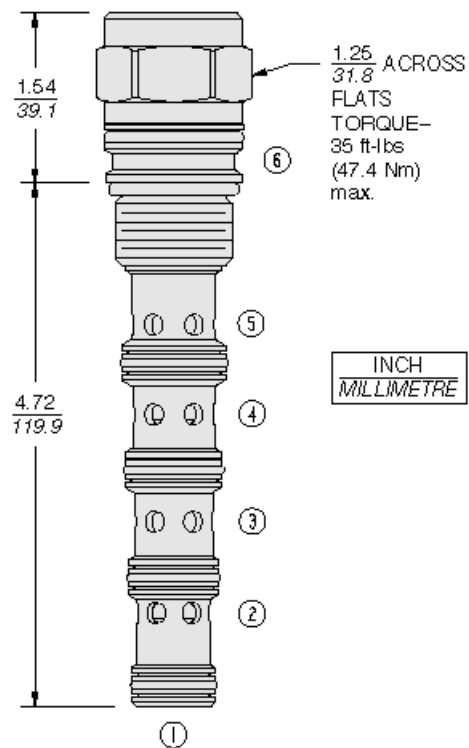
Unit weight 0.45 kg (1.00 lb)



Performance



Dimensions



Accessories

Seal kit

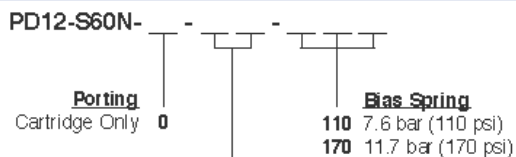
SK12-S6N-BMMMM
SK12-S6V-BMMMM
SK12-S6P-BMMMM

- **Note:** Buna N
- **Note:** Viton
- **Note:** Polyurethane

Housings



Order Code



- Seals**
- N** Buna N (Std.)
 - NS** Buna N with Sealed Spool between ① and ②
 - V** Fluorocarbon
 - VS** Fluorocarbon with Sealed Spool between ① and ②
 - P** Polyurethane*
 - PS** Polyurethane with Sealed Spool between ① and ②*

*Required for pressures over 3500 psi

POSITION	CODE	DESCRIPTION
		PD12-S60N-H-J-R
H		Line Body
H	0	No Body
J		Seal
J	N	Buna-N
J	NS	Buna-N with a Sealed Spool
J	V	Fluorocarbon
J	VS	Fluorocarbon with a Sealed Spool
J	P	Polyurethane
J	PS	Polyurethane with a Sealed Spool
J	U	PPDI Urethane
J	US	PPDI Urethane with a Sealed Spool
R		Spring
R	110	110 psi Bias Spring
R	170	170 psi Bias Spring