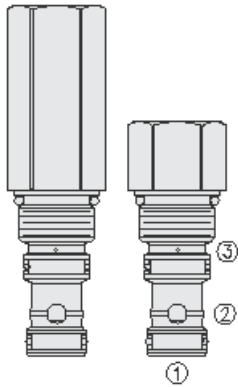




Overview



Description

The ep10-s35xx is a screw-in, cartridge style, pilot to close hydraulic directional element.

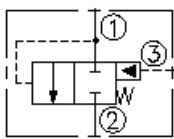
Operation

The valve is a spring-biased blocking valve which will shift to allow full flow from port 1 to 2 only when the pressure at port 1 exceeds the cumulative pressure of port 3 plus the bias spring pressure value.

Features

- Multiple function/application potential.
- Range of bias spring pressure options. Tall cap required for 160, M11, 230, and M15.9 spring options.
- Industry-common cavity.

Symbol



Ratings

Pressure Ratings

Pressure rating 345 bar (5000 psi)

Flow Ratings

Flow rating See performance graph
Maximum internal leakage 164 ml/min (10 in³/min) - **Note:** At 207 bar (3000 psi)

Temperature Ratings

Operating fluid temperature	-40 to 100 °C (-40 to 212 °F) -26 to 204 °C (-15 to 400 °F) -26 to 204 °C (-15 to 400 °F) -54 to 107 °C (-65 to 225 °F)	- Note: With buna N seals - Note: With fluorocarbon seals - Note: With high durometer fluorocarbon seals - Note: With polyurethane seals
Storage temperature	-40 to 70 °C (-40 to 160 °F)	
Ambient temperature	-40 to 90 °C (-40 to 194 °F)	

Operating Parameters

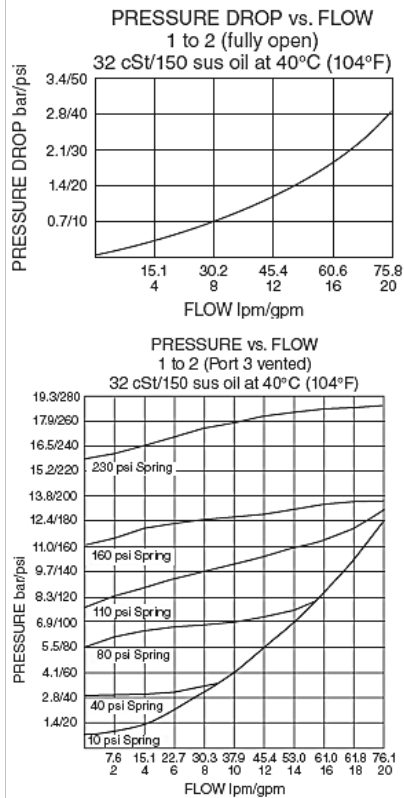
Fluids	Mineral based or synthetic hydraulic fluid with lubricating properties
Fluid viscosity range	7.4 to 420 cSt
Maximum operating contamination level	20/18/14 per ISO 4406

Properties

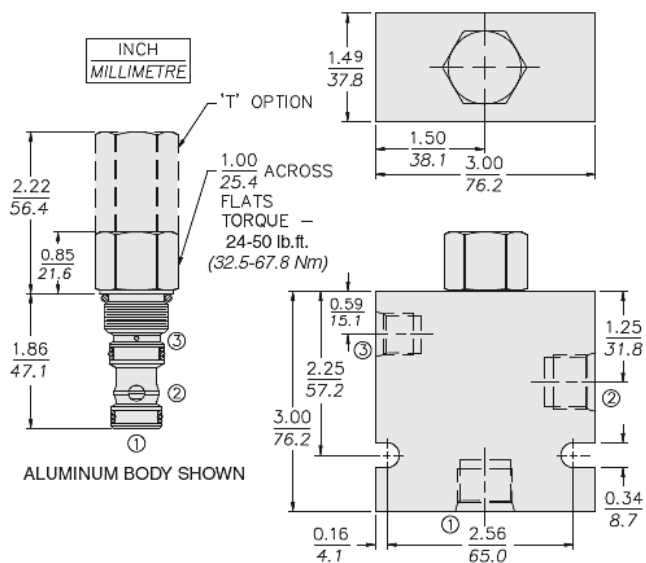
Unit weight	0.14 kg (0.31 lb) 0.27 kg (0.60 lb)	- Note: EP10-S35 - Note: EP10-S35T
Internal wetted surface area	123 cm ² (19.0 in ²) 191 cm ² (29.6 in ²)	- Note: Ep10s35 - Note: Ep10s35t



Performance



Dimensions



ORIFICE DISCS SHOULD NOT BE USED WITH THIS PRODUCT.

Installation Specifications

Cavity	VC10-S3
Cartridge installation torque	32.5 to 35.3 N-m (24 to 26 ft-lb)
Maximum allowable torque	67.8 N-m (50 ft-lb)
Orientation restriction	None

Accessories

Seal kit	SK10-S3X-MM	- Note: X = seal option
Housings		



Order Code

ORDERING INFORMATION
EP10-S35XX-X-XX-XXX

BASE MODEL NUMBER

ADAPTOR OPTIONS:
STANDARD - (BLANK)
* TALL CAP - T

CAGE OPTIONS:
REGULAR - (BLANK)
METERING - G

PORTING:
CARTRIDGE ONLY - 0

SEAL OPTIONS:
BUNA N - N
FLUOROCARBON - V
HIGH DUROMETER FLUOROCARBON - HV
** POLYURETHANE - P

BIAS SPRING VALUE:
10 psi [0,7 bar] - 10
40 psi [2,8 bar] - 40
80 psi [5,5 bar] - 80
110 psi [7,6 bar] - 110
160 psi [11,0 bar] - 160
11,0 bar [160 psi] - M11
230 psi [15,9 bar] - 230
15,9 bar [230 psi] - M15.9

* "T" TALL CAP REQUIRED FOR 160,
M11, 230 AND M15.9 BIAS SPRINGS.

** REQUIRED FOR PRESSURES
OVER 3500 psi [241 bar].

POSITION	CODE	DESCRIPTION
		EP10-S35CD-H-J-R
C		Adaptor Option
C	BLANK	Standard Cap
C	T	Tall Cap
D		Cage Option
D	BLANK	Standard Cage
D	G	Metering (staggered holes)
H		Line Body
H	0	No Body
J		Seal
J	N	Buna-N
J	V	Fluorocarbon
J	P	Polyurethane
J	U	PPDI Urethane
R		Spring
R	10	10 psi Bias Spring
R	40	40 psi Bias Spring
R	80	80 psi Bias Spring
R	110	110 psi Bias Spring
R	M11	11 bar Bias Spring
R	160	160 psi Bias Spring
R	230	230 psi Bias Spring
R	M15.9	15.9 bar Bias Spring