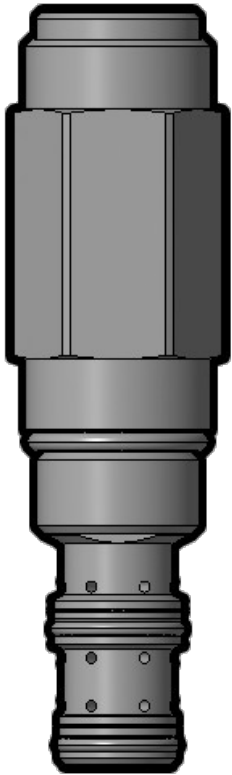




Overview



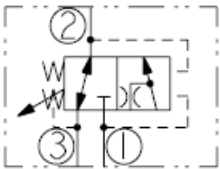
Description

This is a direct acting spool type, hydraulic sequence valve with an internal pilot and spring chamber drain. It is designed to direct flow to a secondary circuit once a predetermined pressure is attained in a primary circuit. The valve will remain shifted until the pressure in the secondary circuit falls below secondary pressure setting.

Features

- Adjustments cannot be backed out of the valve.
- Adjustments prohibit springs from going solid.
- Optional spring ranges to 144.8 bar (2100 psi).
- Hardened spool and cage for long life.
- Industry-common size.

Symbol



Ratings

Pressure Ratings

Operating pressure	207 bar (3000 psi)	- Note: Ports 1, 2
Crack pressure defined	Evident at port 1 when 0.95 lpm (0.25 gpm) attained at port 1 to port 2	

Temperature Ratings

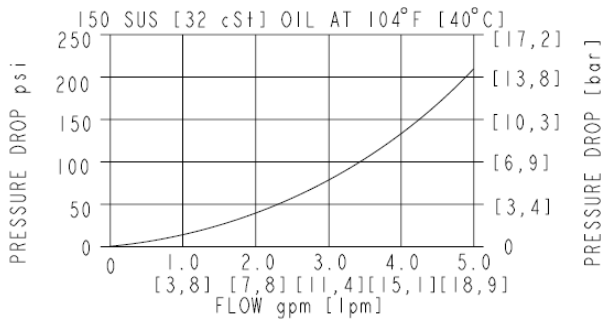
Operating fluid temperature	-40 to 121 °C (-40 to 250 °F)	- Note: With Buna N seals
	-35 to 204 °C (-31 to 400 °F)	- Note: With Viton seals

Properties

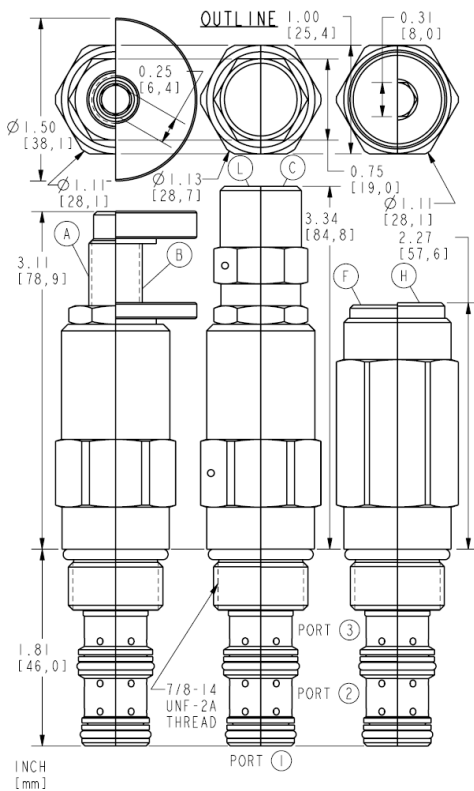
Unit weight	0.26 kg (0.58 lb)	- Note: KS10-30A
	0.29 kg (0.63 lb)	- Note: KS10-30B
	0.31 kg (0.68 lb)	- Note: KS10-30C, KS10-30L
	0.25 kg (0.56 lb)	- Note: KS10-30F, KS10-30H



Performance



Dimensions



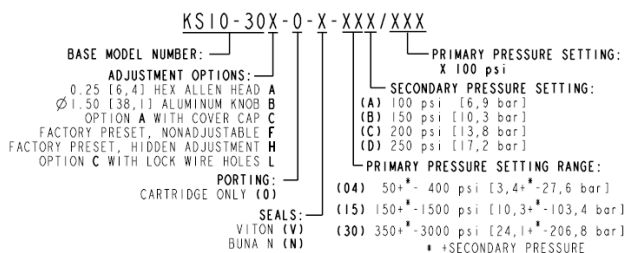
Installation Specifications

Cavity	VC10-3
Cartridge installation torque	27.1 to 32.5 N-m (20 to 24 ft-lb)
H style plug torque	33.9 N-m (25 ft-lb)

Accessories

Seal kit	SK10-3N-BB	- Note: Buna N
	SK10-3V-BB	- Note: Viton
Housings		

Order Code





POSITION	CODE	DESCRIPTION
		KS10-30F-H-J-R/S
F		Adjustment Option
F	A	1/4" Hex Allen Head
F	B	1-1/2" Diameter Aluminum Knob with Aluminum Lock Knob
F	C	1/4" Hex Allen Head with Cover Cap
F	F	Factory Preset Non-Adjustable
F	H	Factory Preset Hidden Adjustment
F	L	1/4" Hex Allen Head with Cover Cap and Lockwire Holes
H		Line Body
H	0	No Body
H	6T	Aluminum SAE 6
H	8T	Aluminum SAE 8
H	6TD	Ductile Iron SAE 6
H	8TD	Ductile Iron SAE 8
H	3B	Aluminum BSPP 3/8" (3)
H	3BD	Ductile Iron BSPP 3/8" (3)
J		Seal
J	N	Buna-N
J	V	Fluorocarbon
J	P	Polyurethane
J	U	PPDI Urethane
R		Spring
R	04A	3.4 to 27.6 bar (50 to 400 psi) Spring Range
R	04B	3.4 to 27.6 bar (50 to 400 psi) Spring Range
R	04C	3.4 to 27.6 bar (50 to 400 psi) Spring Range
R	04D	3.4 to 27.6 bar (50 to 400 psi) Spring Range
R	15A	10.3 to 103.4 bar (150 to 1500 psi) Spring Range
R	15B	10.3 to 103.4 bar (150 to 1500 psi) Spring Range
R	15C	10.3 to 103.4 bar (150 to 1500 psi) Spring Range
R	15D	10.3 to 103.4 bar (150 to 1500 psi) Spring Range
R	30A	24.1 to 206.8 bar (350 to 3000 psi) Spring Range
R	30B	24.1 to 206.8 bar (350 to 3000 psi) Spring Range
R	30C	24.1 to 206.8 bar (350 to 3000 psi) Spring Range
R	30D	24.1 to 206.8 bar (350 to 3000 psi) Spring Range
S		Setting
S	MXXX	Spring Setting in XXX bar
S	XX	Spring Setting in XX psi (x 100)