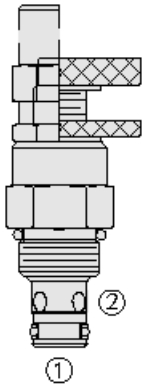




Overview



Description

A screw-in, cartridge style, variable orifice, hydraulic flow restrictor valve.

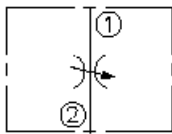
Operation

The NV08-20 valve increases its orifice size from fully closed to fully open with counter-clockwise adjustment rotation.

Features

- Adjustments cannot be backed out of the valve.
- Desired settings may be locked down.
- Hardened parts for long life.
- Aluminum knob option.
- Positive shut-off.
- Linear adjustment.
- Compact size.

Symbol



Ratings

Pressure Ratings

Pressure rating	241 bar (3500 psi)
Proof pressure	345 bar (5000 psi)
Burst pressure	896 bar (13000 psi)

Flow Ratings

Flow rating	See pressure drop vs. Flow chart
Maximum internal leakage	0.32 ml/min (5 drops/min) - Note: At shut-off

Temperature Ratings

Operating fluid temperature	-40 to 120 °C (-40 to 250 °F)	- Note: With buna N seals
	-26 to 204 °C (-15 to 400 °F)	- Note: With fluorocarbon seals
	-54 to 107 °C (-65 to 225 °F)	- Note: With polyurethane seals
Storage temperature	-40 to 70 °C (-40 to 160 °F)	
Ambient temperature	-40 to 70 °C (-40 to 160 °F)	

Other Ratings

Corrosion protection	960 hr salt spray per ASTM b117 (model number gnv08-20xx)
----------------------	---

Operating Parameters

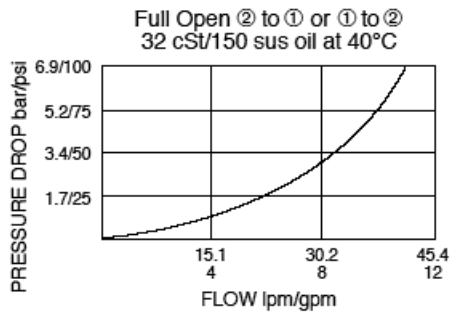
Fluids	Mineral based or synthetic hydraulic fluid with lubricating properties
Fluid viscosity range	7.4 to 420 cSt
Maximum operating contamination level	18/16/13 per iso4406

Properties

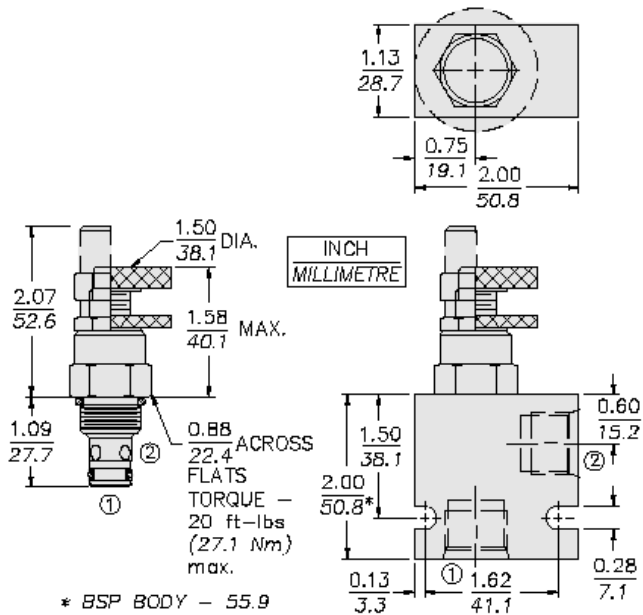
Adjustment torque	0.6 N-m (5 in-lb)	- Note: At 7 bar (100 psi)
	5.4 N-m (48 in-lb)	- Note: At 207 bar (3000 psi)
Unit weight	0.12 kg (0.26 lb)	- Note: Option A
Internal wetted surface area	60.4 cm ² (9.36 in ²)	



Performance



Dimensions



Installation Specifications

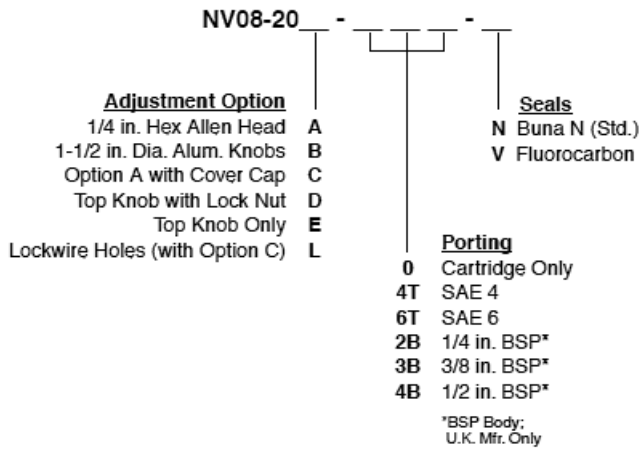
Cavity	VC08-2
Cartridge installation torque	27 N-m (20 ft-lb)
Maximum allowable torque	47.5 N-m (35 ft-lb)
Orientation restriction	None

Accessories

Seal kit	SK08-2X-M	- Note: X = seal option
Housings		



Order Code



POSITION	CODE	DESCRIPTION
		NV08-20FG-H-J
F		Adjustment Option
F	A	1/4" Hex Allen Head
F	B	1-1/2" Diameter Aluminum Knob with Aluminum Lock Knob
F	C	1/4" Hex Allen Head with Cover Cap
F	D	1-1/2" Diameter Aluminum Knob with Lock Nut
F	E	1-1/2" Diameter Aluminum Knob Only
F	L	1/4" Hex Allen Head with Cover Cap and Lockwire Holes
G		Screen
G	BLANK	NONE
G	S	100 Mesh Screen
H		Line Body
H	0	No Body
H	4T	Aluminum SAE 4
H	6T	Aluminum SAE 6
H	8T	Aluminum SAE 8
H	6TD	Ductile Iron SAE 6
H	8TD	Ductile Iron SAE 8
H	2B	Aluminum BSPP 1/4" (2)
H	3B	Aluminum BSPP 3/8" (3)
H	3BD	Ductile Iron BSPP 3/8" (3)
J		Seal
J	N	Buna-N
J	V	Fluorocarbon
J	P	Polyurethane
J	U	PPDI Urethane