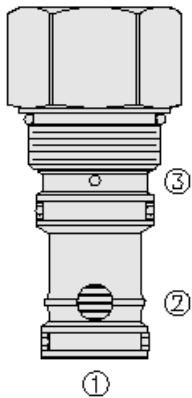




Overview



Description

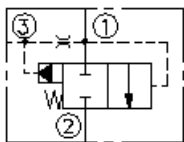
The EV20-S34 is a screw-in, cartridge style, hydraulic directional element. It is a spring biased blocking valve which will shift to allow full flow from port 1 to 2 only when port 3 is vented to create a pressure drop across the internal orifice which exceeds the bias spring pressure value.

NOTE: Orifice disc should not be used with this product.

Features

- Multiple function/application potential.
- Smooth shift transition.
- Low pressure drop.
- Industry common cavity.

Symbol



Ratings

Pressure Ratings

Pressure rating 345 bar (5000 psi) - **Note:** Polyurethane seals are recommended for 5000 psi [345 bar]

Flow Ratings

Maximum internal leakage 197 ml/min (12 in³/min) - **Note:** At 5000 psi 345 bar

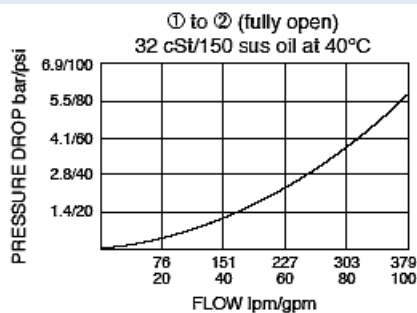
Temperature Ratings

Operating fluid temperature -40 to 204 °C (-40 to 400 °F)

Properties

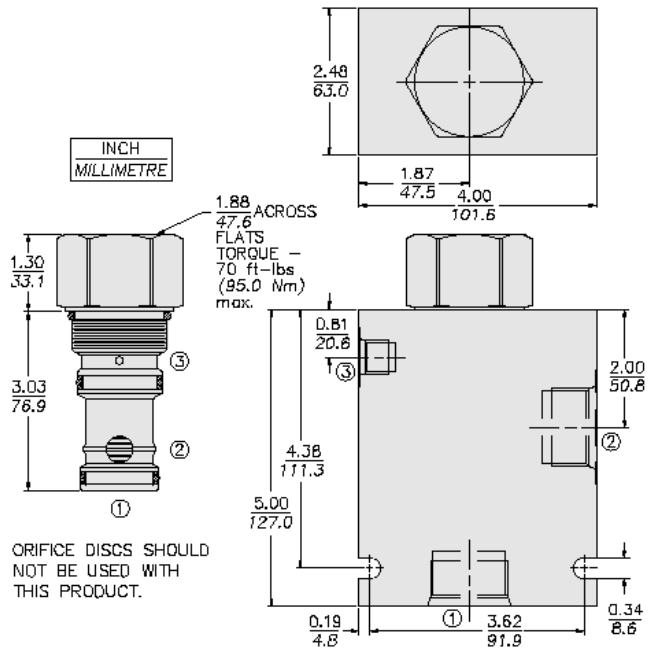
Unit weight 0.82 kg (1.8 lb)

Performance





Dimensions



Installation Specifications

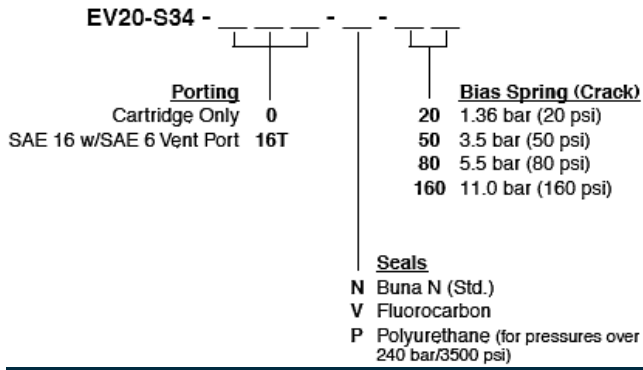
Cavity	VC20-S3
Cartridge installation torque	88 to 102 N-m (65 to 75 ft-lb)

Accessories

Seal kit	SK20-S3N-MM	- Note: Buna N
	SK20-S3V-MM	- Note: Viton
	SK20-S3P-MM	- Note: Polyurethane
Housings		



Order Code



POSITION	CODE	DESCRIPTION
		EV20-S34-H-J-R
H		Line Body
H	0	No Body
H	16T	Aluminum SAE 16
H	16TD	Ductile Iron SAE 16
J		Seal
J	N	Buna-N
J	V	Fluorocarbon
J	P	Polyurethane
J	U	PPDI Urethane
R		Spring
R	20	20 psi Bias Spring
R	50	50 psi Bias Spring
R	80	80 psi Bias Spring
R	160	160 psi Bias Spring