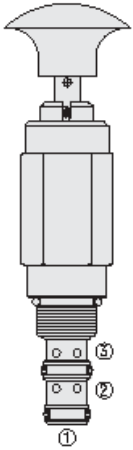




Overview



Description

The MP08-34X is a 3-way, manual pull to shift, spring return, directional hydraulic cartridge valve.

Operation

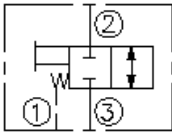
In its neutral position the valve blocks flow between ports 2 and 3. In the actuated (pulled) position, it allows flow between ports 2 and 3. The spring chamber is vented at port 1. When released, the valve returns to its neutral position.

note: pressure at port 1 will directly act on the spool and spring. Port 1 is intended to be a tank port only.

Features

- Hardened spool and cage for long life.
- Pressure to 14 bar (200 psi) on port 1.
- Optional rotational lock position.
- Compact, industry-common cavity.

Symbol



Ratings

Pressure Ratings

Pressure rating	241 bar (3500 psi)	- Note: Port 2 and 3
	14 bar (200 psi)	- Note: Port 1 maximum

Flow Ratings

Flow rating	See performance graph
Maximum internal leakage	33 ml/min (2 in ³ /min) - Note: At 207 bar (3000 psi)

Temperature Ratings

Operating fluid temperature	-40 to 100 °C (-40 to 212 °F)	- Note: With buna N seals
	-26 to 204 °C (-15 to 400 °F)	- Note: With viton seals
	-54 to 107 °C (-65 to 225 °F)	- Note: With polyurethane seals
Storage temperature	-40 to 70 °C (-40 to 160 °F)	
Ambient temperature	-40 to 70 °C (-40 to 160 °F)	

Operating Parameters

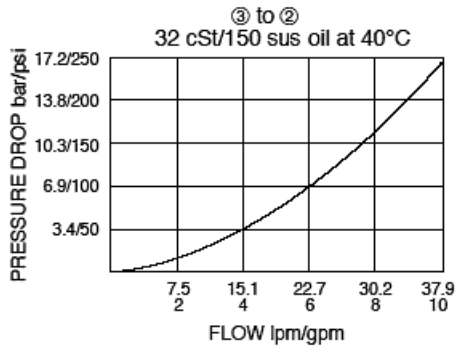
Fluids	Mineral based or synthetic hydraulic fluid with lubricating properties
Fluid viscosity range	7.4 to 420 cSt
Maximum operating contamination level	20/18/14 per ISO 4406

Properties

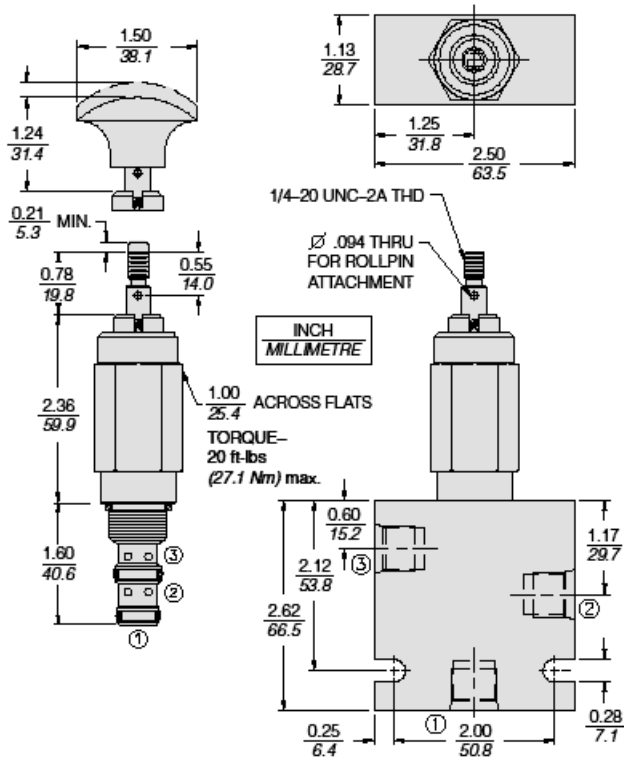
Mechanical pull effort required	7.7 kg (17 lb)	- Note: Installed;
	9.5 kg (21 lb)	- Note: To start to open 2 to 3;
	10.0 kg (22 lb)	- Note: To detent
Unit weight	0.27 kg (0.6 lb)	
Internal wetted surface area	143 cm ² (22.1 in ²)	



Performance



Dimensions



Installation Specifications

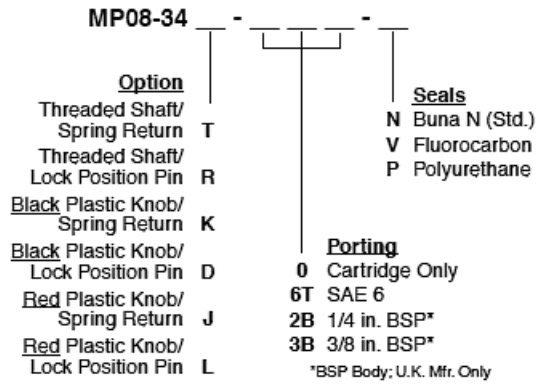
Cavity	VC08-3
Cartridge installation torque	25.8 to 28.5 N-m (19 to 21 ft-lb)
Orientation restriction	None

Accessories

Seal kit	SK08-3X-MT	- Note: X = seal option
Housings		



Order Code



POSITION	CODE	DESCRIPTION
		MP08-34F-H-J
F		Adjustment
F	D	Black Plastic Knob with Lock Position Pin
F	J	Red Plastic Knob with Spring Return
F	K	Black Plastic Knob with Spring Return
F	L	Red Plastic Knob with Lock Position Pin
F	R	Threaded Shaft with Lock Position Pin
F	T	Threaded Shaft with Spring Return
H		Line Body
H	0	No Body
H	4T	Aluminum SAE 4
H	6T	Aluminum SAE 6
H	6TD	Ductile Iron SAE 6
H	8TD	Ductile Iron SAE 8
H	3B	Aluminum BSPP 3/8" (3)
H	3BD	Ductile Iron BSPP 3/8" (3)
J		Seal
J	N	Buna-N
J	V	Fluorocarbon
J	P	Polyurethane
J	U	PPDI Urethane