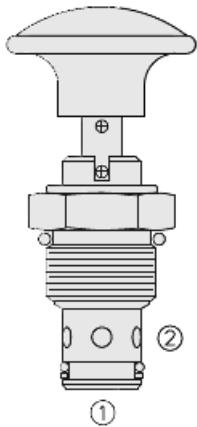




## Overview



### Description

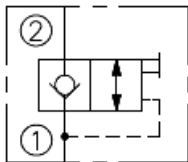
The MP10-21 is a 2-way, manual pull to open and push to close, screw-in cartridge style, directional hydraulic valve.

**NOTE:** Port 1 is intended to be a tank port only.

### Features

- Hardened seat for long life and low leakage.
- Industry-common cavity.

### Symbol



## Ratings

### Pressure Ratings

Pressure rating 207 bar (3000 psi)

### Flow Ratings

Flow rating 56.8 lpm (15 gpm)

Maximum internal leakage 0.25 ml/min (5 drops/min) - **Note:** At 207 bar (3000 psi)

### Temperature Ratings

Operating fluid temperature	-40 to 100 °C (-40 to 212 °F)	- <b>Note:</b> With buna N seals
	-26 to 204 °C (-15 to 400 °F)	- <b>Note:</b> With viton seals
	-54 to 107 °C (-65 to 225 °F)	- <b>Note:</b> With polyurethane seals
Storage temperature	-40 to 70 °C (-40 to 160 °F)	
Ambient temperature	-40 to 70 °C (-40 to 160 °F)	

## Operating Parameters

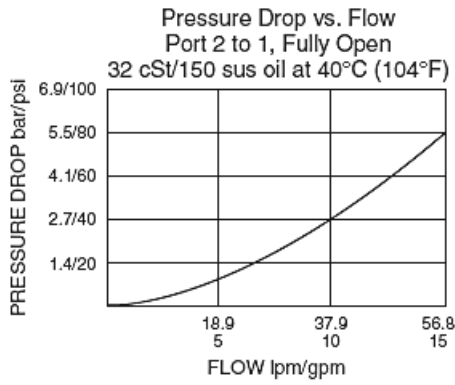
Fluids	Mineral based or synthetic hydraulic fluid with lubricating properties
Fluid viscosity range	7.4 to 420 cSt
Maximum operating contamination level	20/18/14 per ISO 4406

## Properties

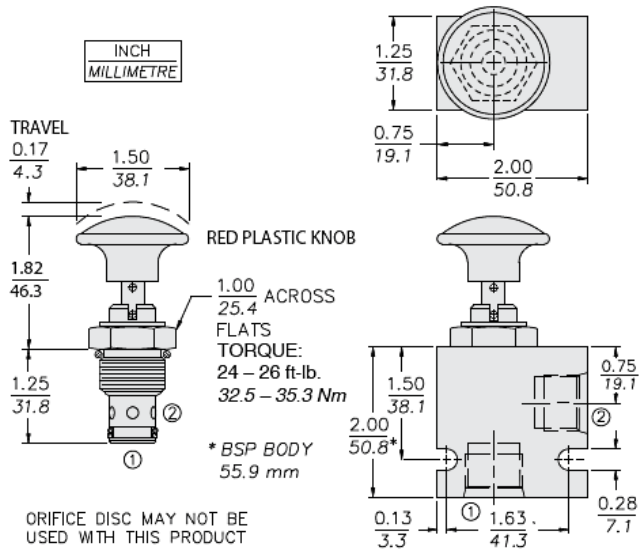
Unit weight	0.11 kg (0.25 lb)
Internal wetted surface area	83.2 cm <sup>2</sup> (12.9 in <sup>2</sup> )



## Performance



## Dimensions



## Installation Specifications

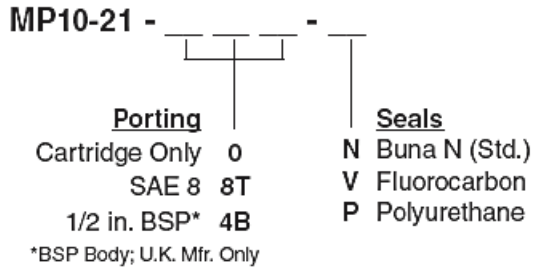
Cavity	VC10-2
Cartridge installation torque	32.5 to 35.3 N-m (24 to 26 ft-lb)
Orientation restriction	None

## Accessories

Seal kit	SK10-2X-T	- Note: X = seal option
Housings		



**Order Code**



POSITION	CODE	DESCRIPTION
		MP10-21F-H-J
F		Adjustment
F	BLANK	Red Plastic Knob with Spring Return
F	K	Black Plastic Knob with Spring Return
F	T	Threaded Shaft with Spring Return
H		Line Body
H	0	No Body
H	6T	Aluminum SAE 6
H	8T	Aluminum SAE 8
H	6TD	Ductile Iron SAE 6
H	8TD	Ductile Iron SAE 8
H	2B	Aluminum BSPP 1/4" (2)
H	3B	Aluminum BSPP 3/8" (3)
H	4B	Aluminum BSPP 1/2" (4)
H	4BD	Ductile Iron BSPP 1/2" (4)
J		Seal
J	N	Buna-N
J	V	Fluorocarbon
J	P	Polyurethane
J	U	PPDI Urethane