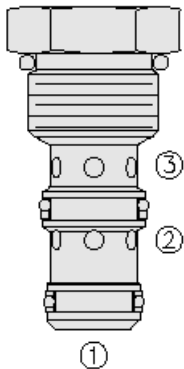




Overview



Description

The PC10-32 is a screw-in, cartridge style, pilot operated, hydraulic check valve.

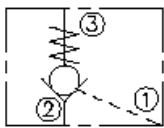
Operation

The valve allows free flow from ports 2 to 3, while normally blocking flow from ports 3 to 2. Flow will be allowed from ports 3 to 2 when pressure is applied at port 1. The pilot ratio is 2 to 1.

Features

- Hardened seat for long life and low leakage.
- Optional sealed piston.
- Industry common cavity.

Symbol



Ratings

Pressure Ratings

Pressure rating 241 bar (3500 psi)

Flow Ratings

Flow rating 30 lpm (8 gpm)
 Maximum internal leakage 5 drops/min - **Note:** Between ports 3 and 2 at 207 bar (3000 psi)
 115 ml/min (7 in³/min) - **Note:** Between ports 2 and 1 at 207 bar (3000 psi)
 0 ml/min (0 in³/min) - **Note:** Between ports 2 and 1 with sealed piston

Temperature Ratings

Operating fluid temperature	-40 to 100 °C (-40 to 212 °F)	- Note: With buna N seals
	-26 to 204 °C (-15 to 400 °F)	- Note: With viton seals
	-54 to 107 °C (-65 to 225 °F)	- Note: With polyurethane seals
Storage temperature	-40 to 70 °C (-40 to 160 °F)	
Ambient temperature	-40 to 70 °C (-40 to 160 °F)	

Operating Parameters

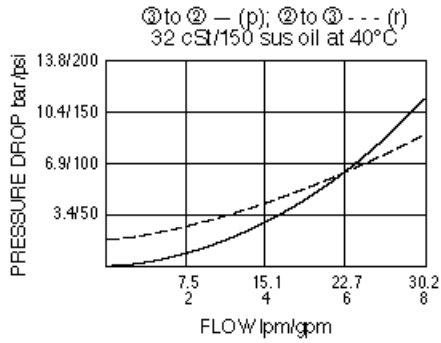
Fluids	Mineral based or synthetic hydraulic fluid with lubricating properties
Fluid viscosity range	7.4 to 420 cSt
Maximum operating contamination level	20/18/14 per ISO 4406

Properties

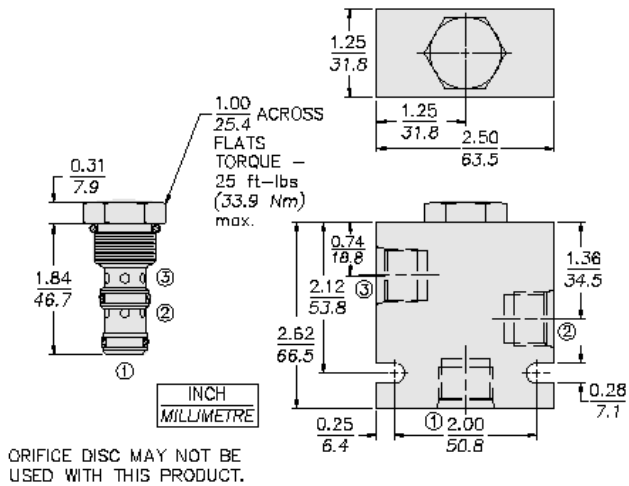
Unit weight	0.1 kg (0.21 lb)
Internal wetted surface area	107 cm ² (16.6 in ²)



Performance



Dimensions



Installation Specifications

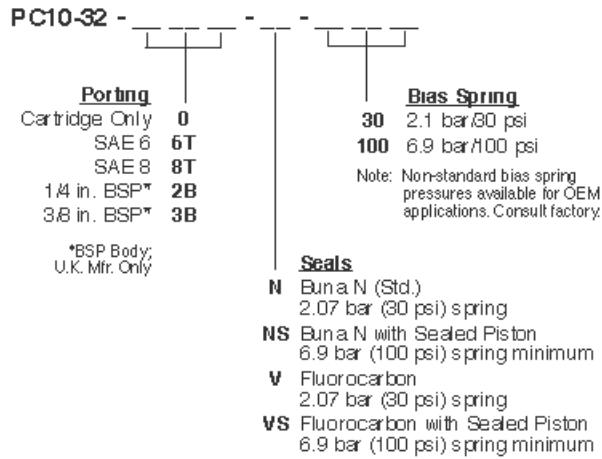
Cavity	VC10-3
Cartridge installation torque	32.6 to 35.4 N-m (24 to 26 ft-lb)
Orientation restriction	None

Accessories

Seal kit	SK10-3X-TM	- Note: X = seal option
Housings		



Order Code



POSITION	CODE	DESCRIPTION
		PC10-32-H-J-R
H		Line Body
H	0	No Body
H	6T	Aluminum SAE 6
H	8T	Aluminum SAE 8
H	6TD	Ductile Iron SAE 6
H	8TD	Ductile Iron SAE 8
H	3B	Aluminum BSPP 3/8" (3)
H	3BD	Ductile Iron BSPP 3/8" (3)
J		Seal
J	N	Buna-N
J	NS	Buna-N with a Sealed Spool
J	V	Fluorocarbon
J	VS	Fluorocarbon with a Sealed Spool
J	P	Polyurethane
J	PS	Polyurethane with a Sealed Spool
J	U	PPDI Urethane
J	US	PPDI Urethane with a Sealed Spool
R		Spring
R	30	30 psi Bias Spring
R	100	100 psi Bias Spring