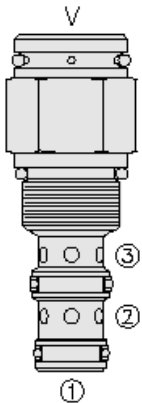




## Overview



### Description

The PD10-30 is a screw-in, cartridge style, pilot-operated, spool type, normally open, hydraulic directional valve.

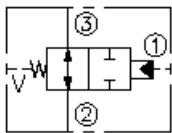
### Operation

In neutral position the valve allows flow from port 3 to 2 bi-directionally. The spring chamber is vented to atmosphere "v" which is internally o-ring sealed from the cartridge flow paths. On remote pilot signal at port 1, the valve's spool shifts to block flow from port 3 to 2. Because of the vented spring chamber, the cartridge may be fully pressurized at any port without affecting required pilot pressure.

### Features

- Hardened spool and cage for long life.
- Industry common cavity.

### Symbol



## Ratings

### Pressure Ratings

Pressure rating 241 bar (3500 psi)

### Flow Ratings

Flow rating 38 lpm (10 gpm)

Maximum internal leakage 82 ml/min (5 in<sup>3</sup>/min) - **Note:** From port 1 and 2 and from port 2 and 3 (when piloted), at 207 bar (3500 psi)  
0 lpm (0 gpm) - **Note:** Port 1 and 2 with sealed spool

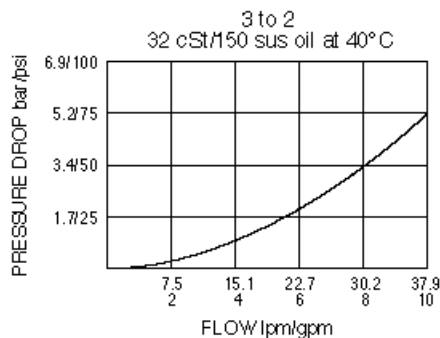
### Temperature Ratings

Operating fluid temperature -40 to 120 °C (-40 to 248 °F)

## Properties

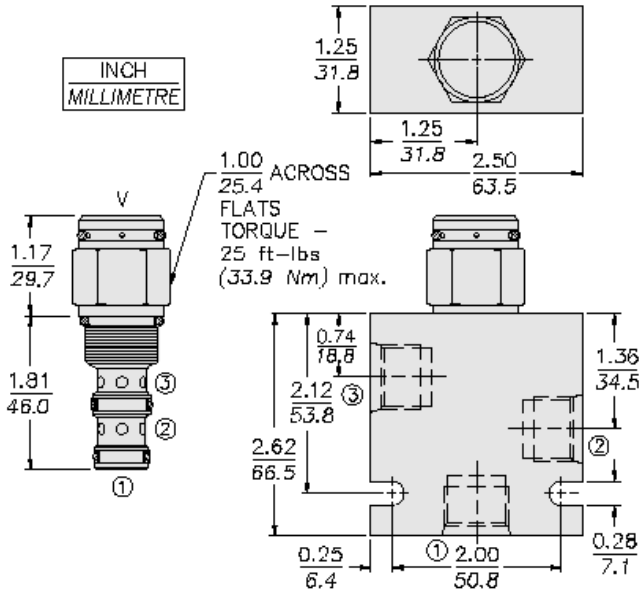
Materials steel with work surfaces hardened. External surfaces are zinc plated  
Unit weight 0.15 kg (0.34 lb)

## Performance





## Dimensions

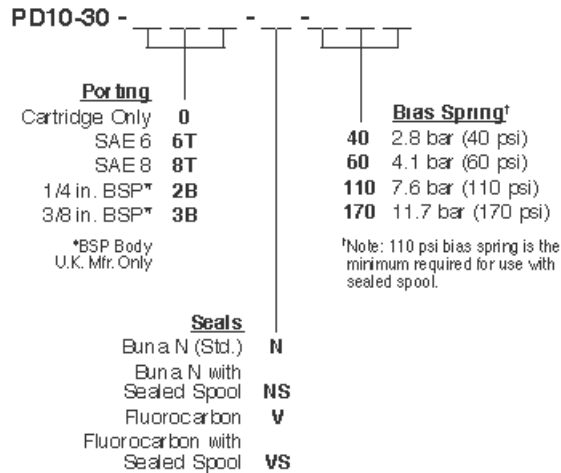


## Accessories

Seal kit	SK10-3N-MM	- <b>Note:</b> Buna N
	SK10-3V-MM	- <b>Note:</b> Viton
	SK10-3P-MM	- <b>Note:</b> Polyurethane
Housings		



Order Code



POSITION	CODE	DESCRIPTION
		PD10-30C-H-J-R
C		Tall Cap
C	BLANK	Standard Cap
C	T	Tall Cap
H		Line Body
H	0	No Body
H	6T	Aluminum SAE 6
H	8T	Aluminum SAE 8
H	6TD	Ductile Iron SAE 6
H	8TD	Ductile Iron SAE 8
H	3B	Aluminum BSPP 3/8" (3)
H	3BD	Ductile Iron BSPP 3/8" (3)
J		Seal
J	N	Buna-N
J	NS	Buna-N with a Sealed Spool
J	V	Fluorocarbon
J	VS	Fluorocarbon with a Sealed Spool
J	P	Polyurethane
J	PS	Polyurethane with a Sealed Spool
J	U	PPDI Urethane
J	US	PPDI Urethane with a Sealed Spool
R		Spring
R	40	40 psi Bias Spring
R	60	60 psi Bias Spring
R	110	110 psi Bias Spring
R	130	130 psi Bias Spring
R	170	170 psi Bias Spring
R	M14.0	14 bar Bias Spring
R	M15.0	15 bar Bias Spring