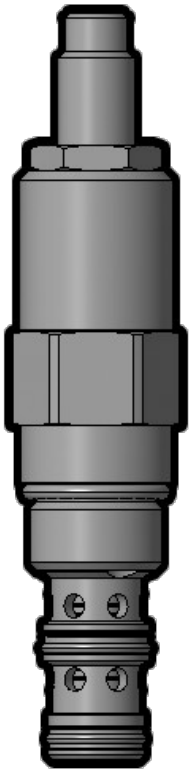




## Overview



### Description

The PS10-36X is a screw-in, cartridge style, pilot operated, spool type, hydraulic sequence valve with internal pilot and external spring chamber drain.

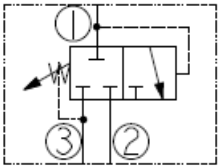
### Operation

In its steady state, the PS10-36X blocks flow from port 1 to port 2, with the spring chamber drained at port 3. On attainment of a predetermined pressure at port 1, the cartridge shifts to open port 1 to port 2. The valve will remain shifted until the pressure in the circuit falls below the pressure setting. Note that the back pressure on port 3 adds to the spring setting value.

### Features

- Adjustments cannot be backed out of the valve.
- Adjustments prohibit springs from going solid.
- Optional spring ranges to 144.8 bar (2100 psi).
- Hardened spool and cage for long life.
- Industry-common size.

## Symbol





## Ratings

### Pressure Ratings

Pressure rating	344.7 bar (5000 psi) 241.3 bar (3500 psi) 68.9 bar (1000 psi)	- <b>Note:</b> At port 1 - <b>Note:</b> At port 2 - <b>Note:</b> At port 3
Proof pressure	482.6 bar (7000 psi) 482.6 bar (7000 psi) 103.4 bar (1500 psi)	- <b>Note:</b> At port 1 - <b>Note:</b> At port 2 - <b>Note:</b> At port 3
Burst pressure	1034 bar (15000 psi)	
Crack pressure defined	Pressure evident at 0.95 lpm (0.25 gpm) attained port 1 to port 2	

### Flow Ratings

Flow rating	56.8 lpm (15 gpm)	
Maximum internal leakage	82 ml/min (5 in <sup>3</sup> /min)	- <b>Note:</b> At port 3, to 85% of nominal setting

### Temperature Ratings

Operating fluid temperature	-40 to 100 °C (-40 to 212 °F)	- <b>Note:</b> With Buna N seals
	-26 to 204 °C (-15 to 400 °F)	- <b>Note:</b> With fluorocarbon seals
	-54 to 107 °C (-65 to 225 °F)	- <b>Note:</b> With polyurethane and urethane seals
Storage temperature	-40 to 70 °C (-40 to 160 °F)	
Ambient temperature	-40 to 70 °C (-40 to 160 °F)	

### Other Ratings

Corrosion protection	PS10-36X - Type III clear zinc plating per astm B633, GPS10-36X - 960 hour salt spray per ASTM B117	
----------------------	---	--

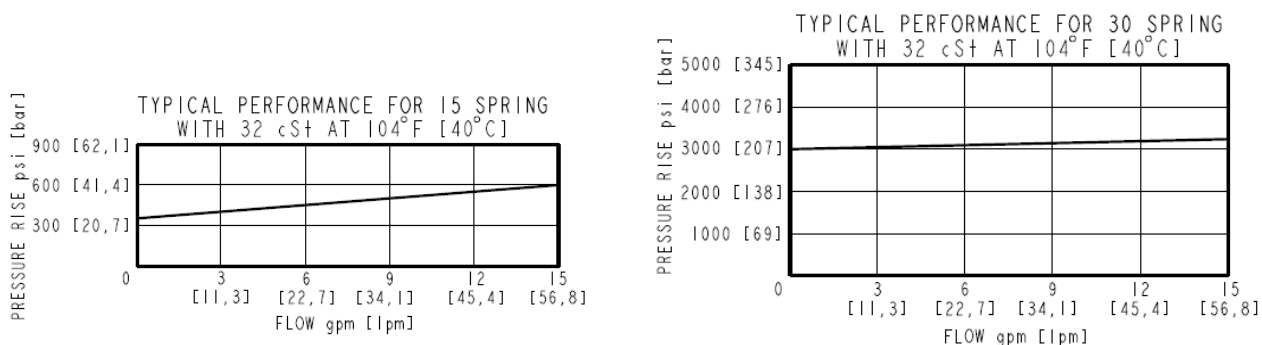
## Operating Parameters

Fluids	Mineral based or synthetic with lubricating properties
Fluid viscosity range	7.4 to 420 cSt
Maximum operating contamination level	18/16/13 per ISO 4406

## Properties

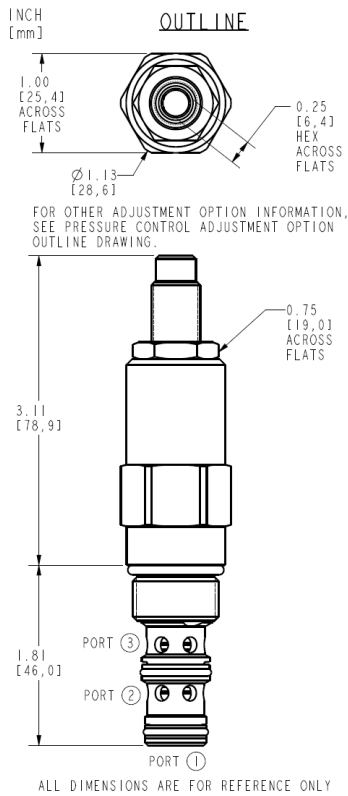
Unit weight	0.259 kg (0.57 lb)	- <b>Note:</b> PS10-36A
	0.281 kg (0.62 lb)	- <b>Note:</b> PS10-36B
	0.299 kg (0.66 lb)	- <b>Note:</b> PS10-36C PS10-36L
	0.249 kg (0.55 lb)	- <b>Note:</b> PS10-36F
	0.245 kg (0.54 lb)	- <b>Note:</b> PS10-36H
Internal wetted surface area	161 cm <sup>2</sup> (25 in <sup>2</sup> )	- <b>Note:</b> PS10-36A PS10-36B PS10-36C PS10-36L
	181 cm <sup>2</sup> (28 in <sup>2</sup> )	- <b>Note:</b> PS10-36F PS10-36H
Pressure change per adjuster turn	3.8 bar (54.54 psi)	- <b>Note:</b> A Adaptor Code 04
	16.0 bar (231.63 psi)	- <b>Note:</b> A Adaptor Code 15
	27.8 bar (402.72 psi)	- <b>Note:</b> A Adaptor Code 30
	47.3 bar (685.41 psi)	- <b>Note:</b> A Adaptor Code 50
	4.7 bar (68.17 psi)	- <b>Note:</b> H adaptor Code 04
	20.0 bar (289.54 psi)	- <b>Note:</b> H adaptor Code 15
	34.7 bar (503.40 psi)	- <b>Note:</b> H adaptor Code 30
59.1 bar (856.77 psi)	- <b>Note:</b> H adaptor Code 50	

## Performance





## Dimensions



## Installation Specifications

Cavity	VC10-3
Cartridge installation torque	32.5 to 35.3 N-m (24 to 26 ft-lb)
H style plug torque	32.5 to 35.3 N-m (24 to 26 ft-lb)
Orientation restriction	None

## Accessories

Seal kit	SK10-3X-BM	- <b>Note:</b> X=seal options
Housings		

## Order Code

**ORDERING INFORMATION:**

XPS10-36X-0-X-XX/XXXX

**PROTECTION OPTIONS:**TYPE III ZINC PLATING - OMIT  
960 hr PROTECTION - G**BASE MODEL NUMBER:****ADJUSTMENT OPTIONS:**0.25 [6,4] HEX ALLEN HEAD - A  
Ø1.50" [38,1] ALUMINUM KNOB - B  
OPTION A WITH COVER CAP - C  
FACTORY PRESET NON-ADJUSTABLE - F  
FACTORY PRESET, HIDDEN ADJUSTMENT - H  
OPTION C WITH LOCK WIRE HOLES - L**PORTING:**

CARTRIDGE ONLY - 0

**SEAL OPTION:**BUNA N - N  
FLUOROCARBON - V  
POLYURETHANE - P  
URETHANE - U**SPRING RANGE:**60-400 psi - 04  
[4,1-27,6 bar]  
240-1500 psi - 15  
[16,5-103,4 bar]  
460-3000 psi - 30  
[31,7-206,7 bar]  
850-5000 psi - 50  
[58,6-344,7 bar]**PRESSURE SETTING:**(IN 100 psi) FOR EXAMPLE:  
360 psi [24,8 bar] - 03.6  
2200 psi [151,7 bar] - 22  
(IN bar) FOR EXAMPLE:  
[55 bar] 798 psi - M55

POSITION	CODE	DESCRIPTION
		PS10-36F-H-J-R/S
F		Adjustment Option
F	A	1/4" Hex Allen Head
F	B	1-1/2" Diameter Aluminum Knob with Aluminum Lock Knob
F	C	1/4" Hex Allen Head with Cover Cap
F	F	Factory Preset Non-Adjustable
F	H	Factory Preset Hidden Adjustment
F	L	1/4" Hex Allen Head with Cover Cap and Lockwire Holes
H		Line Body
H	0	No Body
H	6T	Aluminum SAE 6
H	8T	Aluminum SAE 8
H	6TD	Ductile Iron SAE 6
H	8TD	Ductile Iron SAE 8
H	3B	Aluminum BSPP 3/8" (3)
H	3BD	Ductile Iron BSPP 3/8" (3)
J		Seal
J	N	Buna-N
J	V	Fluorocarbon
J	P	Polyurethane
J	U	PPDI Urethane
R		Spring
R	04	4.1 to 27.6 bar (60 to 400 psi) Spring Range
R	15	16.5 to 103.4 bar (240 to 1500 psi) Spring Range
R	30	31.7 to 206.9 bar (460 to 3000 psi) Spring Range



POSITION	CODE	DESCRIPTION
S		Setting
S	MXXX	Spring Setting in XXX bar
S	XX	Spring Setting in XX psi (x 100)