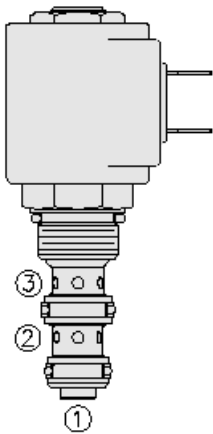




## Overview



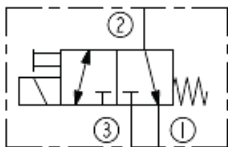
### Description

A solenoid-operated, 3 port, direct-acting, spool type, screw in hydraulic directional valve. When de-energized, the SV08-30 allows flow from port 2 to port 1, while blocking flow at port 3. When energized, the cartridges spool shifts to open from port 3 to port 2, while blocking flow out port 1. While port 1 may be fully pressurized, it is not intended to be used as the inlet.

### Features

- Continuous-duty rated coil.
- Hardened precision spool and cage for long life.
- Optional coil voltages and terminations.
- Efficient wet-armature construction.
- Cartridges are voltage interchangeable.
- All ports may be fully pressurized.
- Unitized, molded coil design.
- Manual override option.
- Optional waterproof E-Coils rated up to IP69K.
- Fully guided spool.
- Industry common cavity “C” Compact size.

### Symbol



## Ratings

### Pressure Ratings

Pressure rating 207 bar (3000 psi)

### Flow Ratings

Maximum internal leakage 82 ml/min (5 in<sup>3</sup>/min) - **Note:** Port 3 (de-energized) at 207 bar (3000 psi)  
164 ml/min (10 in<sup>3</sup>/min) - **Note:** Port 1 (energized) at 207 bar (3000 psi)

### Temperature Ratings

Operating fluid temperature -40 to 100 °C (-40 to 212 °F) - **Note:** With buna N seals  
Storage temperature -40 to 70 °C (-40 to 160 °F) - **Note:** Buna N  
Ambient temperature -40 to 70 °C (-40 to 160 °F)

## Operating Parameters

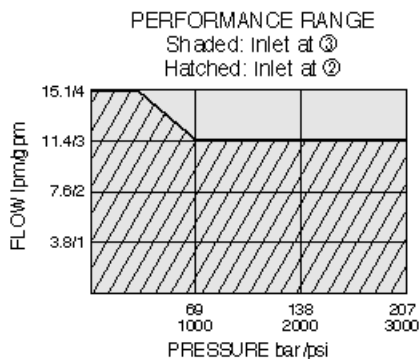
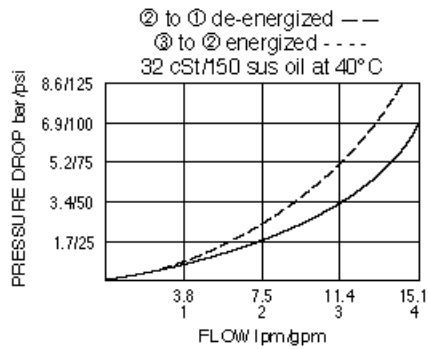
Fluids Mineral based or synthetic hydraulic fluid with lubricating properties  
Fluid viscosity range 7.4 to 420 cSt  
Maximum operating contamination level 18/16/13 per ISO 4406

## Properties

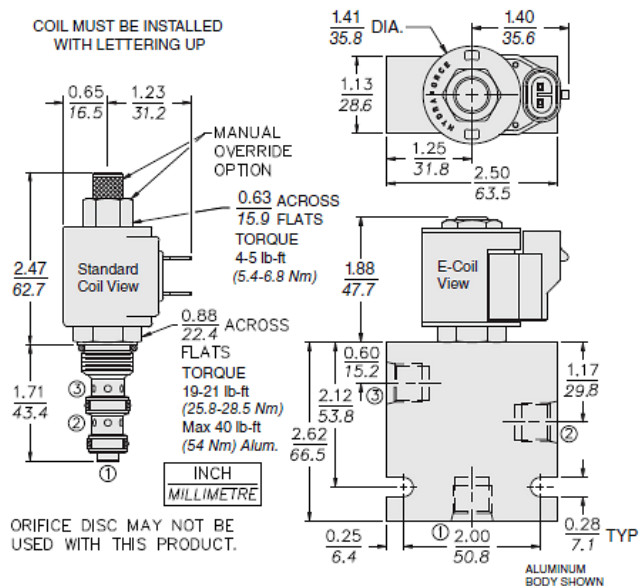
Materials Steel with hardened work surface zinc-plated exposed



## Performance



## Dimensions



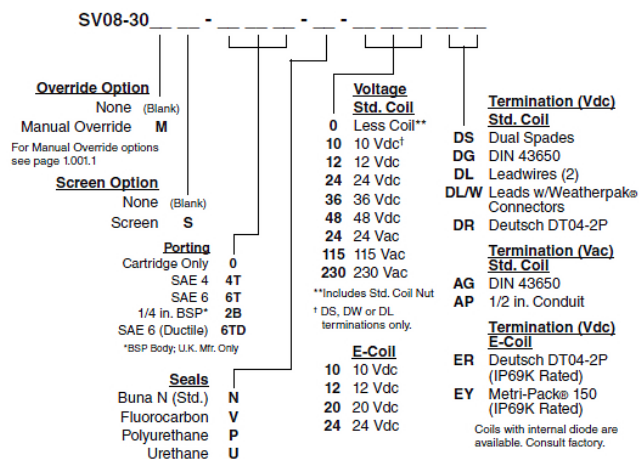
## Installation Specifications

Cavity	VC08-3
Cartridge installation torque	25.8 to 28.5 N-m (19 to 21 ft-lb)
Coil nut torque	5.4 to 6.8 N-m (4 to 5 ft-lb)
Orientation restriction	None

## Accessories

Seal kit	SK08-3N-MM
Housings	
Coils	

## Order Code



POSITION	CODE	DESCRIPTION
		SV08-30EG-H-J-L
E		Manual Override
E	BLANK	NONE
E	M	Two Position Override, Red Knurled Knob
G		Screen
G	BLANK	NONE
G	S	60 Mesh Screen
H		Line Body
H	0	No Body
H	4T	Aluminum SAE 4
H	6T	Aluminum SAE 6
H	6TD	Ductile Iron SAE 6
H	8TD	Ductile Iron SAE 8
H	3B	Aluminum BSPP 3/8" (3)
H	3BD	Ductile Iron BSPP 3/8" (3)
J		Seal
J	N	Buna-N
J	V	Fluorocarbon
J	P	Polyurethane
J	U	PPDI Urethane
L		Coil
L	0	No Coil
L	10DL	10 VDC, D-Coil, Dual Lead Wires
L	10DR/D	10 VDC, D-Coil, Deutsch with Diode
L	10DS	10 VDC, D-Coil, Dual Spade
L	10EL	10 VDC, E-Coil, Dual Lead Wires, 18 inches long
L	10EL/36	10 VDC, E-Coil, Dual Lead Wires, 36 inches long
L	10ER	10 VDC, E-Coil, Deutsch
L	10ER/Z	10 VDC, E-Coil, Deutsch with Zener Diode
L	12DG	12 VDC, D-Coil, DIN 43650
L	12DL	12 VDC, D-Coil, Dual Lead Wires, 18 inches long
L	12DL/36	12 VDC, D-Coil, Dual Lead Wires, 36 inches long
L	12DL/W	12 VDC, D-Coil, Dual Lead Wires with Weatherpak



POSITION	CODE	DESCRIPTION
L	12DL/W/D	12 VDC, D-Coil, Dual Lead Wires with Weatherpak with Diode
L	12DR	12 VDC, D-Coil, Deutsch
L	12DR/D	12 VDC, D-Coil, Deutsch with Diode
L	12DR/Z	12 VDC, D-Coil, Deutsch with Zener Diode
L	12DS	12 VDC, D-Coil, Dual Spade
L	12EG	12 VDC, E-Coil, DIN 43650
L	12EG/Z	12 VDC, E-Coil, DIN 43650 with Zener Diode
L	12EJ	12 VDC, E-Coil, AMP Jr.
L	12EJ/Z	12 VDC, E-Coil, AMP Jr. with Zener Diode
L	12EL	12 VDC, E-Coil, Dual Lead Wires, 18 inches long
L	12EL/36	12 VDC, E-Coil, Dual Lead Wires, 36 inches long
L	12EL/Z	12 VDC, E-Coil, Dual Lead Wires with Zener Diode
L	12ER	12 VDC, E-Coil, Deutsch
L	12ER/Z	12 VDC, E-Coil, Deutsch with Zener Diode
L	12EY	12 VDC, E-Coil, Metri-Pack 150
L	12EY/Z	12 VDC, E-Coil, Metri-Pack 150 with Zener Diode
L	20DG	20 VDC, D-Coil, DIN 43650
L	20DS	20 VDC, D-Coil, Dual Spade
L	20ER	20 VDC, E-Coil, Deutsch
L	20ER/Z	20 VDC, E-Coil, Deutsch with Zener Diode
L	24AG	24 VDC, D-Coil, DIN 43650
L	24AP	24 VDC, D-Coil, 1/2" Conduit and Dual Lead Wires
L	24DG	24 VDC, D-Coil, DIN 43650
L	24DL	24 VDC, D-Coil, Dual Lead Wires, 18 inches long
L	24DL/36	24 VDC, D-Coil, Dual Lead Wires, 36 inches long
L	24DL/W	24 VDC, D-Coil, Dual Lead Wires with Weatherpak
L	24DR	24 VDC, D-Coil, Deutsch
L	24DR/D	24 VDC, D-Coil, Deutsch with Diode
L	24DR/Z	24 VDC, D-Coil, Deutsch with Zener Diode
L	24DS	24 VDC, D-Coil, Dual Spade
L	24EG	24 VDC, E-Coil, DIN 43650
L	24EG/Z	24 VDC, E-Coil, DIN 43650 with Zener Diode
L	24EJ	24 VDC, E-Coil, AMP Jr.
L	24EL/D	24 VDC, E-Coil, Dual Lead Wires with Diode
L	24ER	24 VDC, E-Coil, Deutsch
L	24ER/Z	24 VDC, E-Coil, Deutsch with Zener Diode
L	24EY	24 VDC, E-Coil, Metri-Pack 150
L	24EY/Z	24 VDC, E-Coil, Metri-Pack 150 with Zener Diode
L	36DG	36 VDC, D-Coil, DIN 43650
L	36DS	36 VDC, D-Coil, Dual Spade
L	115AG	115 VAC, D-Coil, DIN 43650
L	115AP	115 VAC, D-Coil, 1/2" Conduit and Dual Lead Wires
L	230AG	230 VAC, D-Coil, DIN 43650



POSITION	CODE	DESCRIPTION
L	230AP	230 VAC, D-Coil, 1/2" Conduit and Dual Lead Wires