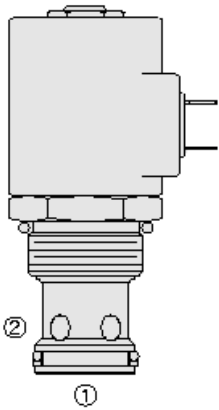




Overview



Description

A solenoid-operated, 2 port, normally closed, poppet-type, screw-in hydraulic cartridge valve, designed to function as a load-holding or blocking valve in applications requiring low internal leakage.

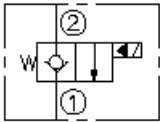
Operation

When de-energized, the SV16-20X acts as a check valve, allowing flow to pass from port 1 to port 2, while blocking flow in the reverse direction. When energized, the poppet lifts to open the port 2 to port 1 flow path. In this mode, flow from port 1 to port 2 is severely restricted.

Features

- Continuous-duty rated coil. Hardened seat for long life and low leakage. Optional coil voltages and terminations. Efficient wet-armature construction. Cartridges are voltage interchangeable. Unitized, molded coil design. Manual override option. Optional waterproof E-Coils rated up to IP69K. Industry-common cavity.

Symbol



Ratings

Pressure Ratings

Pressure rating	241 bar (3500 psi)
Proof pressure	344 bar (5000 psi)
Burst pressure	779 bar (11300 psi)

Flow Ratings

Flow rating	227.4 lpm (60 gpm)	- Note: Based on
	34.4 bar (500 psi)	- Note: Pressure drop, see performance graphs
Maximum internal leakage	5 drops/min	- Note: At rated pressure
Hysteresis per cent	5 %	- Note: Maximum up to 60% of imax
	10 %	- Note: Maximum from 60% of imax up to imax

Temperature Ratings

Operating fluid temperature	-40 to 100 °C (-40 to 212 °F)	- Note: With buna N seals
	-26 to 204 °C (-15 to 400 °F)	- Note: With fluorocarbon seals
	-54 to 107 °C (-65 to 225 °F)	- Note: With polyurethane seals
Storage temperature	-40 to 70 °C (-40 to 160 °F)	
Ambient temperature	-40 to 70 °C (-40 to 160 °F)	

Other Ratings

Corrosion protection	960 hr salt spray per ASTM b117 (gsv16-20)
----------------------	--

Operating Parameters

Fluids	Mineral based or synthetic hydraulic fluid with lubricating properties
Fluid viscosity range	7.4 to 420 cSt
Maximum operating contamination level	20/18/14 per ISO 4406

Properties

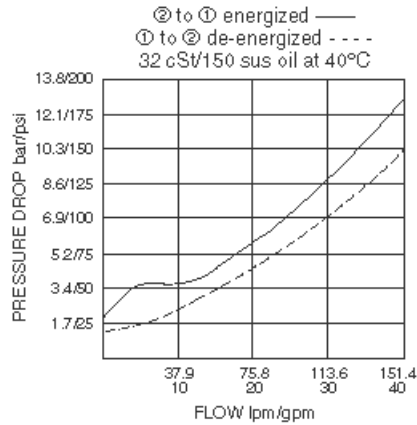
Unit weight	0.32 kg (0.71 lb)
Internal wetted surface area	221 cm ² (34.2 in ²)



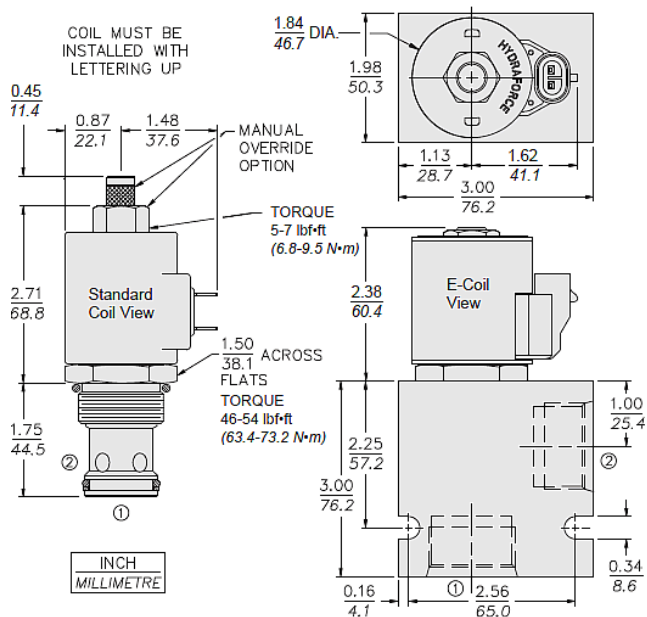
Electrical Parameters

Valve inductance	166 mH
Maximum control current	1.2 A - Note: For coil 12 Vdc
Minimum control current	- Note: Less than threshold current
Threshold current	0.4 A - Note: For coil 12 Vdc
Dither PWM frequency	100 to 400 Hz

Performance



Dimensions



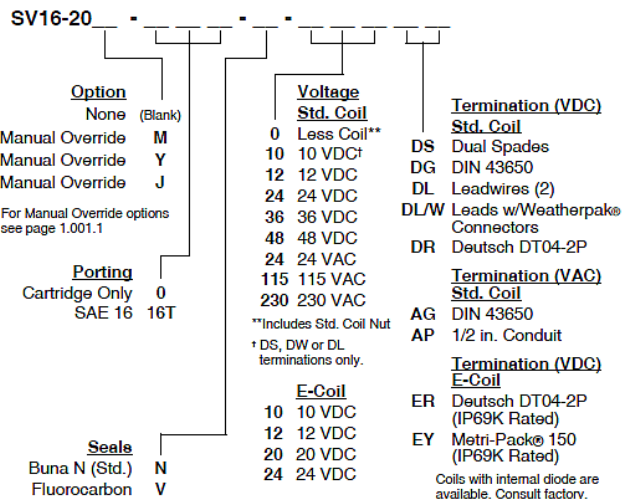
Installation Specifications

Cavity	VC16-2
Cartridge installation torque	62.4 to 73.2 N·m (46 to 54 ft-lb)
Maximum allowable torque	169 N·m (125 ft-lb)
Orientation restriction	None

Accessories

Seal kit	SK16-2X-T - Note: X = seal option
Housings	
Coils	

Order Code



POSITION	CODE	DESCRIPTION
		SV16-20E-H-J-L
E		Manual Override
E	BLANK	NONE
E	J	Momentary Pull Override, #10-32 threads
E	M	Two Position Override, Red Knurled Knob
E	Y	Momentary Pull Override, Red Knurled Knob
H		Line Body
H	0	No Body
H	12T	Aluminum SAE 12
H	16T	Aluminum SAE 16
H	12TD	Ductile Iron SAE 12
H	16TD	Ductile Iron SAE 16
H	6B	Aluminum BSPP 3/4" (6)
H	8B	Aluminum BSPP 1" (8)
H	8BD	Ductile Iron BSPP 1" (8)
J		Seal
J	N	Buna-N
J	V	Fluorocarbon
J	P	Polyurethane
J	U	PPDI Urethane
L		Coil
L	0	No Coil
L	10DG	10 VDC, D-Coil, DIN 43650
L	10DL	10 VDC, D-Coil, Dual Lead Wires
L	10DR/D	10 VDC, D-Coil, Deutsch with Diode
L	10DS	10 VDC, D-Coil, Dual Spade
L	10EL	10 VDC, E-Coil, Dual Lead Wires
L	10ER	10 VDC, E-Coil, Deutsch
L	10ER/Z	10 VDC, E-Coil, Deutsch with Zener Diode
L	12DG	12 VDC, D-Coil, DIN 43650
L	12DL	12 VDC, D-Coil, Dual Lead Wires, 18 inches long
L	12DL/36	12 VDC, D-Coil, Dual Lead Wires, 36 inches long



POSITION	CODE	DESCRIPTION
L	12DL/W	12 VDC, D-Coil, Dual Lead Wires with Weatherpak
L	12DL/W/D	12 VDC, D-Coil, Dual Lead Wires with Weatherpak with Diode
L	12DR	12 VDC, D-Coil, Deutsch
L	12DR/D	12 VDC, D-Coil, Deutsch with Diode
L	12DR/Z	12 VDC, D-Coil, Deutsch with Zener Diode
L	12DS	12 VDC, D-Coil, Dual Spade
L	12EG	12 VDC, E-Coil, DIN 43650
L	12EJ	12 VDC, E-Coil, AMP Jr.
L	12EL	12 VDC, E-Coil, Dual Lead Wires, 18 inches long
L	12EL/36	12 VDC, E-Coil, Dual Lead Wires, 36 inches long
L	12EL/W/Z	12 VDC, E-Coil, Dual Lead Wires with WeatherPak and Zener Diode
L	12EL/Z	12 VDC, E-Coil, Dual Lead Wires with Zener Diode
L	12ER	12 VDC, E-Coil, Deutsch
L	12ER/Z	12 VDC, E-Coil, Deutsch with Zener Diode
L	12EY	12 VDC, E-Coil, Metri-Pack 150
L	12EY/Z	12 VDC, E-Coil, Metri-Pack 150 with Zener Diode
L	20DR/D	20 VDC, D-Coil, Deutsch with Diode
L	20DS	20 VDC, D-Coil, Dual Spade
L	20ER	20 VDC, E-Coil, Deutsch
L	24AG	24 VDC, D-Coil, DIN 43650
L	24AP	24 VDC, D-Coil, 1/2" Conduit and Dual Lead Wires
L	24DG	24 VDC, D-Coil, DIN 43650
L	24DL	24 VDC, D-Coil, Dual Lead Wires
L	24DL/W	24 VDC, D-Coil, Dual Lead Wires with Weatherpak
L	24DL/W/D	24 VDC, D-Coil, Dual Lead Wires with Weatherpak with Diode
L	24DP	24 VDC, D-Coil, 1/2" Conduit and Dual Lead Wires
L	24DR	24 VDC, D-Coil, Deutsch
L	24DR/D	24 VDC, D-Coil, Deutsch with Diode
L	24DS	24 VDC, D-Coil, Dual Spade
L	24EG	24 VDC, E-Coil, DIN 43650
L	24EJ	24 VDC, E-Coil, AMP Jr.
L	24EL	24 VDC, E-Coil, Dual Lead Wires, 18 inches long
L	24EL/36	24 VDC, E-Coil, Dual Lead Wires, 36 inches long
L	24EL/W/Z	24 VDC, E-Coil, Dual Lead Wires with WeatherPak and Zener Diode
L	24ER	24 VDC, E-Coil, Deutsch
L	24ER/Z	24 VDC, E-Coil, Deutsch with Zener Diode
L	24EY	24 VDC, E-Coil, Metri-Pack 150
L	24EY/Z	24 VDC, E-Coil, Metri-Pack 150 with Zener Diode
L	36DS	36 VDC, D-Coil, Dual Spade
L	115AG	115 VAC, D-Coil, DIN 43650
L	115AP	115 VAC, D-Coil, 1/2" Conduit and Dual Lead Wires
L	230AG	230 VAC, D-Coil, DIN 43650
L	230AP	230 VAC, D-Coil, 1/2" Conduit and Dual Lead Wires