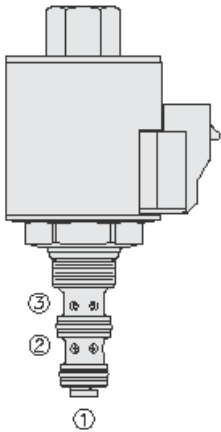




## Overview



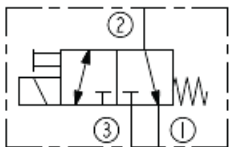
### Description

A solenoid operated, 3 way, direct acting, spool type, screw in hydraulic directional valve for high pressure circuits.

### Operation

When de-energized, the SV58-30 allows flow from port 2 to port 1. While blocking flow at port 3. When energized, the cartridges spool shifts to open from port 3 to port 2, while blocking flow out port 1, while port 1 may be fully pressurized, it is not intended to be used as the inlet.

### Symbol



## Ratings

### Flow Ratings

Flow rating	See performance chart
Maximum internal leakage	131 ml/min (8 in <sup>3</sup> /min) - <b>Note:</b> From port 3 (de-energized) at 345 bar (5000 psi)

### Pressure Ratings

Pressure rating	See performance chart
-----------------	-----------------------

### Temperature Ratings

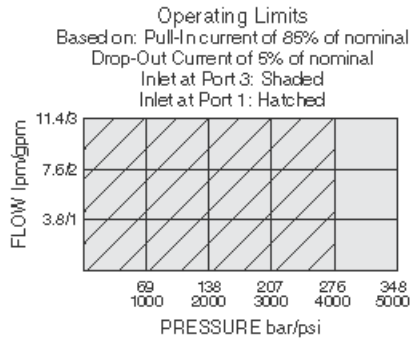
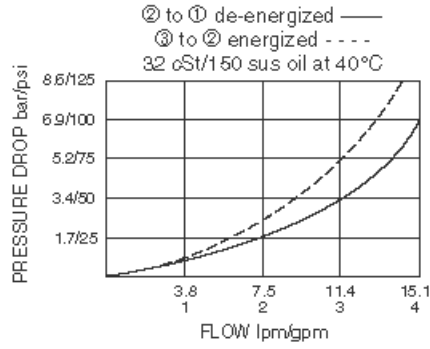
Operating fluid temperature	-40 to 100 °C (-40 to 212 °F)	- <b>Note:</b> With buna N seals
	-26 to 204 °C (-15 to 400 °F)	- <b>Note:</b> With viton seals
	-54 to 107 °C (-65 to 225 °F)	- <b>Note:</b> With polyurethane seals

## Properties

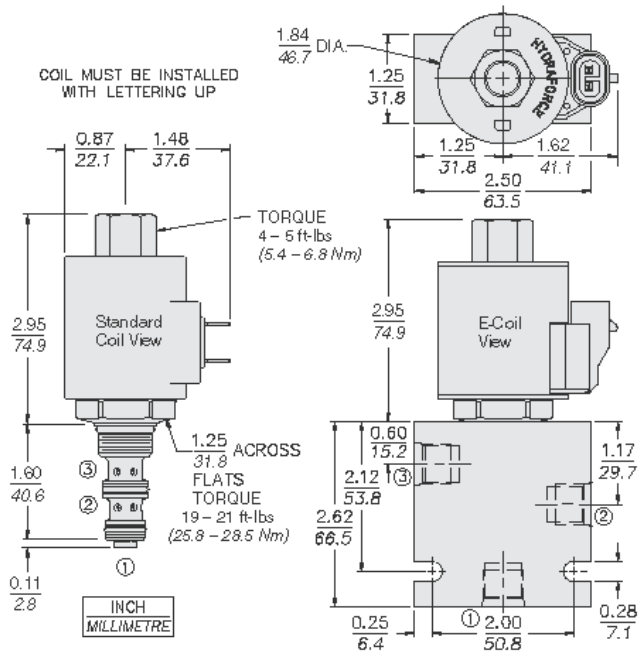
Materials	Steel with hardened work surfaces zinc-plated exposed
-----------	---



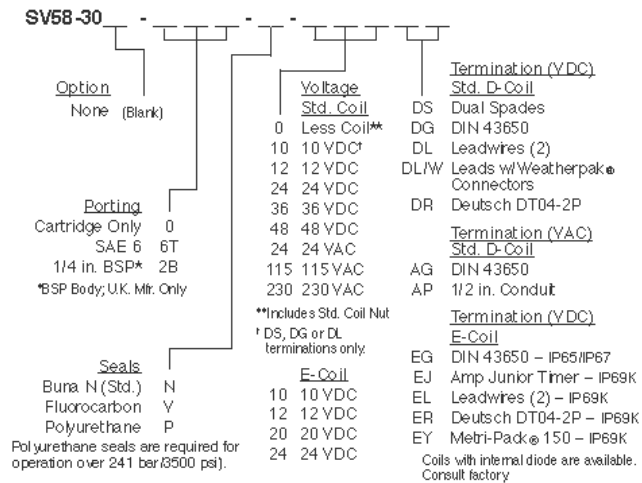
**Performance**



**Dimensions**



**Order Code**



**Note:** This is an 08-size valve which fits an 08-size cavity, but uses a 10-size coil.

POSITION	CODE	DESCRIPTION
		SV58-30E-H-J-L
E		Manual Override
E	BLANK	NONE
E	M	Two Position Override, Red Knurled Knob
H		Line Body
H	0	No Body
H	4T	Aluminum SAE 4
H	6T	Aluminum SAE 6
H	6TD	Ductile Iron SAE 6
H	8TD	Ductile Iron SAE 8
H	3B	Aluminum BSPP 3/8" (3)
H	3BD	Ductile Iron BSPP 3/8" (3)
J		Seal
J	N	Buna-N
J	V	Fluorocarbon
J	P	Polyurethane
L		Coil
L	0	No Coil
L	10DG	10 VDC, D-Coil, DIN 43650
L	10DL	10 VDC, D-Coil, Dual Lead Wires
L	10DR/D	10 VDC, D-Coil, Deutsch with Diode
L	10DS	10 VDC, D-Coil, Dual Spade
L	10EL	10 VDC, E-Coil, Dual Lead Wires
L	10ER	10 VDC, E-Coil, Deutsch
L	10ER/Z	10 VDC, E-Coil, Deutsch with Zener Diode
L	12DG	12 VDC, D-Coil, DIN 43650
L	12DL	12 VDC, D-Coil, Dual Lead Wires, 18 inches long
L	12DL/36	12 VDC, D-Coil, Dual Lead Wires, 36 inches long
L	12DL/W	12 VDC, D-Coil, Dual Lead Wires with Weatherpak
L	12DL/W/D	12 VDC, D-Coil, Dual Lead Wires with Weatherpak with Diode
L	12DR	12 VDC, D-Coil, Deutsch
L	12DR/D	12 VDC, D-Coil, Deutsch with Diode



POSITION	CODE	DESCRIPTION
L	12DR/Z	12 VDC, D-Coil, Deutsch with Zener Diode
L	12DS	12 VDC, D-Coil, Dual Spade
L	12EG	12 VDC, E-Coil, DIN 43650
L	12EJ	12 VDC, E-Coil, AMP Jr.
L	12EL	12 VDC, E-Coil, Dual Lead Wires, 18 inches long
L	12EL/36	12 VDC, E-Coil, Dual Lead Wires, 36 inches long
L	12EL/W/Z	12 VDC, E-Coil, Dual Lead Wires with WeatherPak and Zener Diode
L	12EL/Z	12 VDC, E-Coil, Dual Lead Wires with Zener Diode
L	12ER	12 VDC, E-Coil, Deutsch
L	12ER/Z	12 VDC, E-Coil, Deutsch with Zener Diode
L	12EY	12 VDC, E-Coil, Metri-Pack 150
L	12EY/Z	12 VDC, E-Coil, Metri-Pack 150 with Zener Diode
L	20DR/D	20 VDC, D-Coil, Deutsch with Diode
L	20DS	20 VDC, D-Coil, Dual Spade
L	20ER	20 VDC, E-Coil, Deutsch
L	24AG	24 VDC, D-Coil, DIN 43650
L	24AP	24 VDC, D-Coil, 1/2" Conduit and Dual Lead Wires
L	24DG	24 VDC, D-Coil, DIN 43650
L	24DL	24 VDC, D-Coil, Dual Lead Wires
L	24DL/W	24 VDC, D-Coil, Dual Lead Wires with Weatherpak
L	24DL/W/D	24 VDC, D-Coil, Dual Lead Wires with Weatherpak with Diode
L	24DP	24 VDC, D-Coil, 1/2" Conduit and Dual Lead Wires
L	24DR	24 VDC, D-Coil, Deutsch
L	24DR/D	24 VDC, D-Coil, Deutsch with Diode
L	24DS	24 VDC, D-Coil, Dual Spade
L	24EG	24 VDC, E-Coil, DIN 43650
L	24EJ	24 VDC, E-Coil, AMP Jr.
L	24EL	24 VDC, E-Coil, Dual Lead Wires, 18 inches long
L	24EL/36	24 VDC, E-Coil, Dual Lead Wires, 36 inches long
L	24EL/W/Z	24 VDC, E-Coil, Dual Lead Wires with WeatherPak and Zener Diode
L	24ER	24 VDC, E-Coil, Deutsch
L	24ER/Z	24 VDC, E-Coil, Deutsch with Zener Diode
L	24EY	24 VDC, E-Coil, Metri-Pack 150
L	24EY/Z	24 VDC, E-Coil, Metri-Pack 150 with Zener Diode
L	36DS	36 VDC, D-Coil, Dual Spade
L	115AG	115 VAC, D-Coil, DIN 43650
L	115AP	115 VAC, D-Coil, 1/2" Conduit and Dual Lead Wires
L	230AG	230 VAC, D-Coil, DIN 43650
L	230AP	230 VAC, D-Coil, 1/2" Conduit and Dual Lead Wires