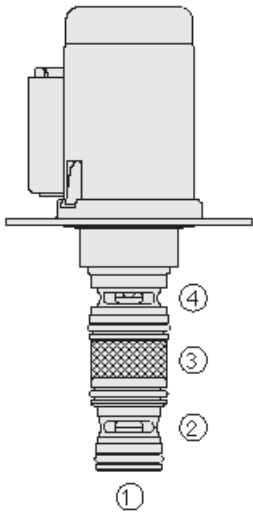




## Overview



### Description

This valve is a direct-acting, spool-type, 2-position, 4-way directional control valve. It is a drop-in, flange mounted, cartridge type valve for use with general purpose hydraulic fluids. Pressure at the tank port (port 1) should not exceed 50 psi [3.4 bar] for proper valve function. The coil is an integral part of the valve and is not serviceable.

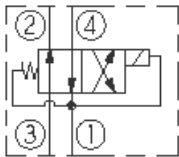
### Operation

When de-energized, the SV98-T40 allows flow from port 3 to port 2 and from port 4 to port 1. When energized, the cartridge spool shifts to allow flow from port 3 to port 4 and from port 2 to port 1.

### Features

- Economical drop-in style.
- Integral waterproof coil standard; see page 3.400.1\_pdf for a description of tests conducted to verify coil waterproofing.
- 12 VDC or 24 VDC coils.
- Several push-on termination options.

## Symbol



## Ratings

### Pressure Ratings

Pressure rating 30 bar (435 psi)

### Flow Ratings

Flow rating 30 lpm (8 gpm)

Maximum internal leakage 70 ml/min (4.3 in<sup>3</sup>/min) - **Note:** Max from inlet to tank at and 30 bar (435 psi) 40 °C (248 °F)

### Temperature Ratings

Operating fluid temperature -40 to 149 °C (-40 to 300 °F) - **Note:** HNBR seals

Storage temperature -40 to 70 °C (-40 to 160 °F)

Ambient temperature -40 to 90 °C (-40 to 194 °F)

### Other Ratings

Corrosion protection 960 hour Salt-spray

Environmental rating IP69K - **Note:** Deutsch and Metri-pack

IP65 - **Note:** Amp

Response 50 ms - **Note:** First indication of change of state with 100% voltage and flow rating. Pull-in.

30 ms - **Note:** First indication of change of state with 100% voltage and flow rating. Drop-out.

Minimum pull-in voltage 80% of nominal voltage - **Note:** At 30 bar (435 psi), at 90 °C (194 °F)

## Operating Parameters

Fluids Mineral based or synthetic hydraulic fluid with lubricating properties.

Fluid viscosity range 7.4 to 420 cSt

Maximum operating contamination level 20/18/14 per ISO4406



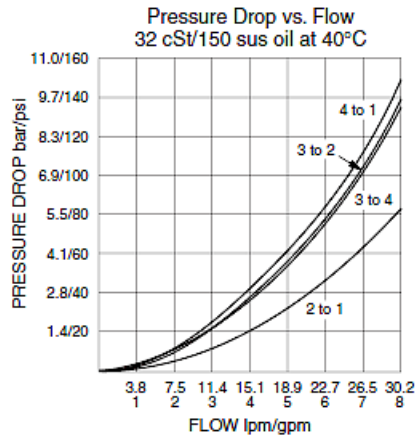
## Properties

Unit weight	0.26 kg (0.57 lb)	- <b>Note:</b> Including coil
Internal wetted surface area	180.13 cm <sup>2</sup> (27.92 in <sup>2</sup> )	

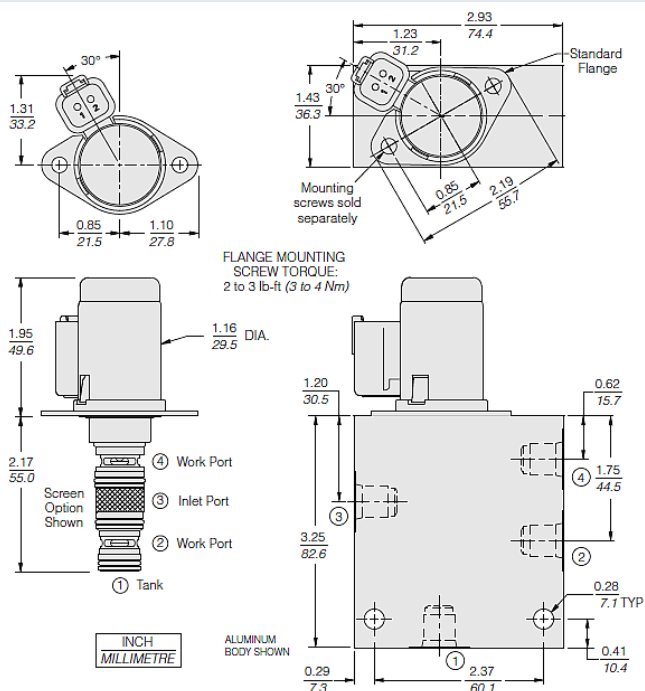
### Electrical Parameters

Valve inductance	92 mH	- <b>Note:</b> 12 V coil
	276 mH	- <b>Note:</b> 24 V coil

## Performance



## Dimensions



## Installation Specifications

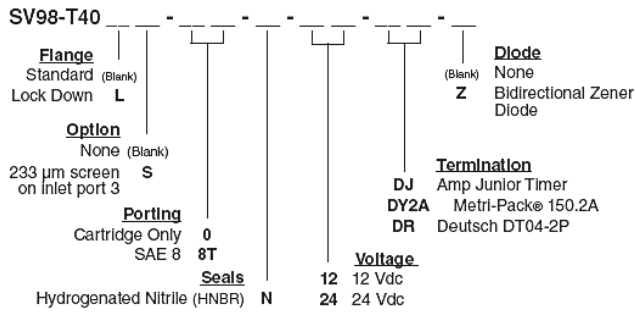
Cavity	VC-T004
Installation type	Flange mounted (see "drop-in coil outline drawing" for flange options).
Orientation restrictions	None
Mounting screws	M5 X 8, HF P/N: 4000039 (sold separately)
Mounting screw torque	3 to 4 N-m (2.2 to 3.0 ft-lb)

## Accessories

Seal kit	SK98-T4X	- <b>Note:</b> X = Seal option
Housings		



## Order Code



POSITION	CODE	DESCRIPTION
		SV98-T40DG-H-J-KL
D		Flange
D	BLANK	Standard
D	L	Lock Down
G		Screen
G	BLANK	None
G	S	142 micron Screen
H		Line Body
H	0	No Body
H	8T	Aluminum SAE 8
H	2B	Aluminum BSPP 1/4" (2)
J		Seal
J	N	HNBR
K		Coil Voltage
K	12	12 VDC
K	24	24 VDC
L		Coil Termination
L	DJ	D-Coil, AMP Jr.
L	DJ/Z	D-Coil, AMP Jr. with Zener Diode
L	DR	D-Coil, Deutsch
L	DR/Z	D-Coil, Deutsch with Zener Diode
L	DY2A	D-Coil, Metri-Pack 150.2
L	DY2A/Z	D-Coil, Metri-Pack 150.2 with Zener Diode