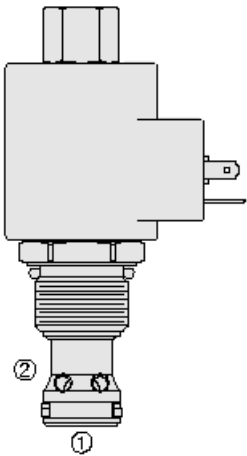




Overview



Description

The TS12-26X is a screw-in, cartridge style, pilot-operated, spool-type, relief valve which CAN be infinitely adjusted across a prescribed range using a variable electric current. The regulated pressure is proportional to the input electrical current.

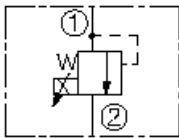
Operation

The TS12-26X blocks flow from port 1 to port 2 until sufficient pressure is present at port 1 to open the pilot section by offsetting the electrically induced solenoid force. With no current applied, the valve will relieve at approximately 100 psi [6,9].

Features

- o 12 and 24 volt coils standard.
- o Optional waterproof E-Coils rated up to IP69K.
- o Industry common cavity.
- o Optional manual override.

Symbol



Ratings

Pressure Ratings

Pressure rating	241.3 bar (3500 psi)	- Note: At port 1
	206.8 bar (3000 psi)	- Note: At port 2
Proof pressure	344.7 bar (4000 psi)	
Burst pressure	827.4 bar (12000 psi)	- Note: With coil assembled
Adjustable pressure range	6.9 to 206.8 bar (100 to 3000 psi)	- Note: Model code A (from zero to maximum control current)
	6.9 to 138.0 bar (100 to 2000 psi)	- Note: Model code b (from zero to maximum control current)
	2.1 to 68.9 bar (30 to 1000 psi)	- Note: Model code c (from zero to maximum control current)

Flow Ratings

Flow rating	189 lpm (50 gpm)	- Note: Delta-p (cartridge only) port 1-2 (coil de-energized) 12.4 bar (180 psi)
Hysteresis per cent	3 %	- Note: Maximum
Maximum pilot flow	0.76 lpm (0.2 gpm)	

Temperature Ratings

Operating fluid temperature	-40 to 100 °C (-40 to 212 °F)	- Note: With buna N seals
	-26 to 204 °C (-15 to 400 °F)	- Note: With viton seals
Storage temperature	-40 to 70 °C (-40 to 160 °F)	
Ambient temperature	-40 to 70 °C (-40 to 160 °F)	

Operating Parameters

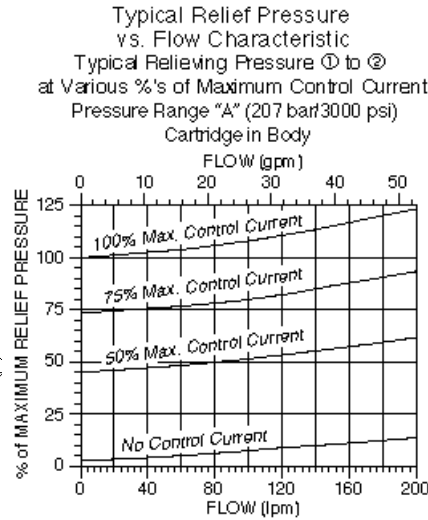
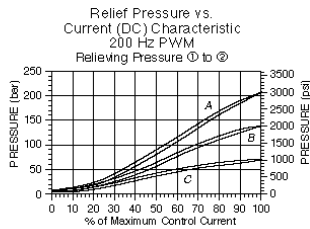
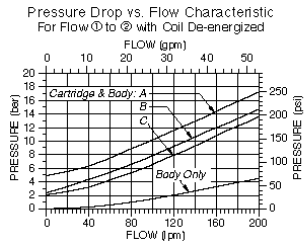
Fluids	Mineral based or synthetic with lubricating properties
Fluid viscosity range	7.4 to 420 cSt
Maximum operating contamination level	18/16/13 per ISO 4406

Properties

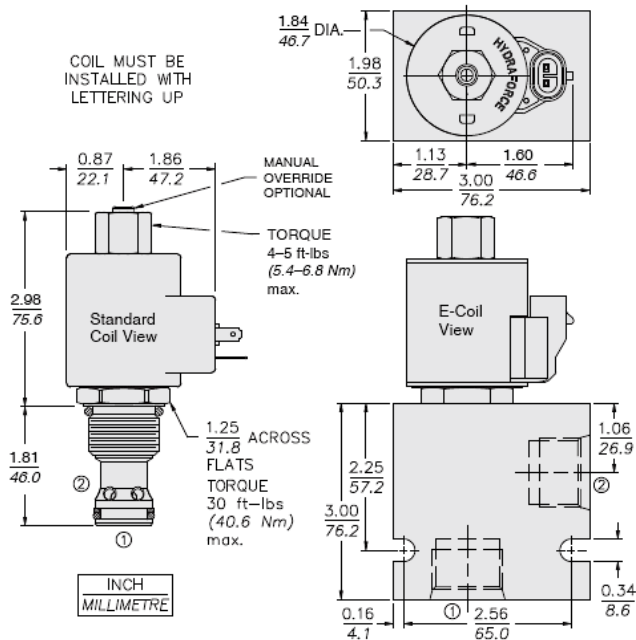
Unit weight	0.56 kg (1.23 lb)
Internal wetted surface area	163 cm ² (36.8 in ²)



Performance



Dimensions



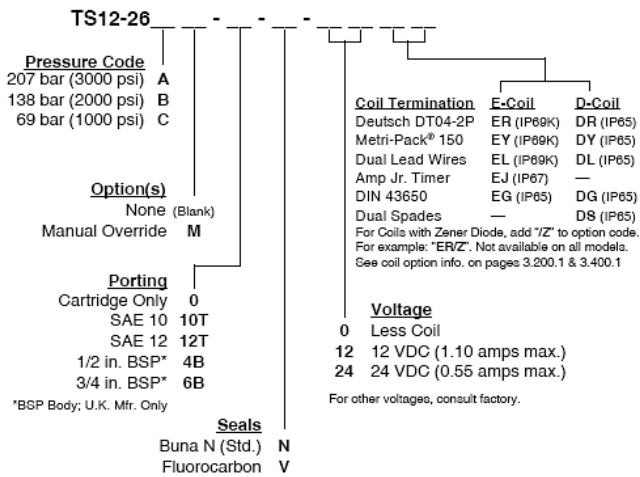
Installation Specifications

Cavity	VC12-2
Cartridge installation torque	44.9 to 50.2 N-m (33 to 37 ft-lb)
Coil nut torque	9.5 to 13.6 N-m (7 to 10 ft-lb)
Orientation restriction	None

Accessories

Seal kit	SK12-2X-B	- Note: X=seal option
Housings		
Coils		

Order Code



POSITION	CODE	DESCRIPTION
		TS12-26DE-H-J-L
D		Regulating Pressure Range
D	A	6.9 to 206.8 bar (100 to 3000 psi) Pressure Range
D	B	6.9 to 138.0 bar (100 to 2000 psi) Pressure Range
D	C	2.1 to 68.9 bar (100 to 1000 psi) Pressure Range
E		Manual Override
E	BLANK	NONE
E	M	Minimum Regulated Pressure Override, 3/16" Internal Hex
H		Line Body
H	0	No Body
H	10T	Aluminum SAE 10
H	12T	Aluminum SAE 12
H	16T	Aluminum SAE 16
H	12TD	Ductile Iron SAE 12
H	16TD	Ductile Iron SAE 16
H	8B	Aluminum BSPP 1" (8)
H	8BD	Ductile Iron BSPP 1" (8)
J		Seal
J	N	Buna-N
J	V	Fluorocarbon
J	P	Polyurethane
J	U	PPDI Urethane
L		Coil
L	0	No Coil
L	10DG	10 VDC, D-Coil, DIN 43650
L	10DL	10 VDC, D-Coil, Dual Lead Wires
L	10DS	10 VDC, D-Coil, Dual Spade
L	10EL	10 VDC, E-Coil, Dual Lead Wires
L	10ER	10 VDC, E-Coil, Deutsch
L	12DG	12 VDC, D-Coil, DIN 43650
L	12DL	12 VDC, D-Coil, Dual Lead Wires, 18 inches long
L	12DL/36	12 VDC, D-Coil, Dual Lead Wires, 36 inches long
L	12DL/W	12 VDC, D-Coil, Dual Lead Wires with Weatherpak



POSITION	CODE	DESCRIPTION
L	12DR	12 VDC, D-Coil, Deutsch
L	12DS	12 VDC, D-Coil, Dual Spade
L	12EG	12 VDC, E-Coil, DIN 43650
L	12EJ	12 VDC, E-Coil, AMP Jr.
L	12EL	12 VDC, E-Coil, Dual Lead Wires, 18 inches long
L	12EL/36	12 VDC, E-Coil, Dual Lead Wires, 36 inches long
L	12ER	12 VDC, E-Coil, Deutsch
L	12EY	12 VDC, E-Coil, Metri-Pack 150
L	20DS	20 VDC, D-Coil, Dual Spade
L	20ER	20 VDC, E-Coil, Deutsch
L	24AG	24 VDC, D-Coil, DIN 43650
L	24AP	24 VDC, D-Coil, 1/2" Conduit and Dual Lead Wires
L	24DG	24 VDC, D-Coil, DIN 43650
L	24DL	24 VDC, D-Coil, Dual Lead Wires
L	24DL/W	24 VDC, D-Coil, Dual Lead Wires with Weatherpak
L	24DP	24 VDC, D-Coil, 1/2" Conduit and Dual Lead Wires
L	24DR	24 VDC, D-Coil, Deutsch
L	24DS	24 VDC, D-Coil, Dual Spade
L	24EG	24 VDC, E-Coil, DIN 43650
L	24EJ	24 VDC, E-Coil, AMP Jr.
L	24EL	24 VDC, E-Coil, Dual Lead Wires, 18 inches long
L	24EL/36	24 VDC, E-Coil, Dual Lead Wires, 36 inches long
L	24ER	24 VDC, E-Coil, Deutsch
L	24EY	24 VDC, E-Coil, Metri-Pack 150
L	36DS	36 VDC, D-Coil, Dual Spade